

# ProBuilder 36CF See-Through (GSR2) Installation Manual



## **⚠ WARNING: FIRE OR EXPLOSION HAZARD**

Failure to follow safety warnings exactly could result in serious injury, death, or property damage.

- Do not store or use gasoline or other flammable vapors and liquids in the vicinity of this or any other appliance.
- **WHAT TO DO IF YOU SMELL GAS**
  - Do not try to light any appliance.
  - Do not touch any electrical switch; do not use any phone in your building.
  - Leave the building immediately
  - Immediately call your gas supplier from a neighbor's phone. Follow the gas supplier's instructions.
  - If you cannot reach your gas supplier, call the fire department.
- Installation and service must be performed by a qualified installer, service agency, or the gas supplier.

# ! DANGER



**HOT GLASS WILL CAUSE  
BURNS**

**DO NOT TOUCH GLASS  
UNTIL COOLED**

**NEVER ALLOW CHILDREN  
TO TOUCH GLASS**

**A barrier designed to reduce the risk of burns from the hot viewing glass is provided with this appliance and shall be installed for the protection of children and other at-risk individuals.**



Listed by  
Omni-Test Laboratories, Inc.  
**Report # 0028GF115S**  
ANSI Z21.88:19  
CSA 2.33:19  
CSA 2.17-2017

- **Built-In Direct Vent  
Fireplace**
- **Natural Gas or Propane**
- **Residential or Mobile  
Home**

**This appliance may be installed in an aftermarket, permanently located, manufactured home (USA only), or mobile home, where not prohibited by local codes.**

**This appliance is only for use with the type of gas indicated on the rating plate. A conversion kit is supplied with the appliance.**

**INSTALLER: Leave this manual with the appliance. French language manuals at [fireplacex.com](http://fireplacex.com).  
CONSUMER: Retain this manual for future reference. Manuels de langue Française à [fireplacex.com](http://fireplacex.com).**

**Overview**

This manual details the installation requirements for the PB36 See Through (ST) GSR2 fireplace. For operating and maintenance instructions, refer to the PB36 ST GSR2 Owner's Manual.

**Listing Details**

This appliance was listed to ANSI Z21.88. The listing label is attached to the appliance near the gas control valve. A copy is shown to the right.

**Massachusetts Approval**

This manual has been submitted to the Massachusetts Board of State Examiners of Plumbers and Gas Fitters.

**National Fireplace Institute**



We suggest that our gas hearth products be installed and serviced by professionals who are certified in the U.S. by the National Fireplace Institute® (NFI) as NFI Gas Specialists.

**ProBuilder 36 CF ST GSR2**  
 Vented Gas Fireplace Heater  
 Not for use with solid fuel  
 Certified for USA and Canada

  
 OIM: test Laboratories, Inc.  
 Report No. 1020P-1153

Fireplace to Adjacent Wall	0" (0mm)	Minimum Clearances to Combustibles
Wood Floor Beneath Fireplace	0" (0mm)	Base Of Fireplace To Enclosure Top
		Sides To Enclosure
		Base Of Fireplace To A Mantel
		See Owner's Manual

**FAN TYPE VENTED CIRCULATOR**  
 Blower Electrical Rating: 120 VAC, 1 Amp, 60 Hz, 60 Watts (Part No. 250-06000) fan or blower assembly may be used. For use only with factory barrier (see "Glass Frame Removal" in the installation manual for part numbers). Follow installation instructions.

Input Rate on "HI" (BTU/Hr)	37,500	Minimum Inlet Pressure (inches W.C.)	11"	5.5"
Input Rate on "LO" (BTU/Hr)	10,000	Maximum Inlet Pressure (inches W.C.)	13"	7"
Outer Orifice Size - (DMS)	1.25mm	Manifold Pressure on "HI" (inches W.C.)	11"	3.8"
Center Orifice Size - (DMS)	1.25mm			

This appliance is equipped for use only at altitudes 0-2,000 feet (0-610m) in the USA. In Canada, 0-4,500 feet (0-1370m). For altitudes above 2,000 feet, the vent configuration, orifice, or combination of both may be need to be changed. See owner's manual for information on making these changes.

Manufactured by:



**TRAVIS INDUSTRIES HOUSE OF FIRE**  
 12521 Harbour Reach Drive  
 Mukilteo, WA 98275  
 www.travisproducts.com

MANUFACTURE DATE:

<input type="checkbox"/> 2022	<input type="checkbox"/> Jan.	<input type="checkbox"/> Apr.	<input type="checkbox"/> Jul.	<input type="checkbox"/> Oct.
<input type="checkbox"/> 2023	<input type="checkbox"/> Feb.	<input type="checkbox"/> May	<input type="checkbox"/> Aug.	<input type="checkbox"/> Nov.
<input type="checkbox"/> 2024	<input type="checkbox"/> Mar.	<input type="checkbox"/> Jun.	<input type="checkbox"/> Sep.	<input type="checkbox"/> Dec.

Tested to: ANSI Z21.88;19/CSA 2.33:19 "Vented Gas Fireplace Heater", CSA 2.17-2017 "Gas-fired appliances for use at high altitudes", and CSA P4.1-15 Testing method for measuring annual fireplace efficiency.  
 This appliance must be installed in accordance with local codes, if any; if none, follow the National Fuel Gas Code, ANSI Z223.1/NFPA 54, or Natural Gas and Propane Installation Codes, CSA B149.1. This appliance must be installed in accordance with the current Standard CAN/CSA Z240 MH, Mobile Housing, in Canada or with the Manufactured Home Construction and Safety Standard, Title 24 CFR, Part 3280, in the United States, or when such a standard is not applicable, ANSINCS-BCS AZ25-1/NFPA 507A, Manufactured Home Installation Standard.  
 This vented gas fireplace heater is equipped at the factory for use with natural gas. If conversion to propane (L.P.) is desired, the optional factory conversion kit must be used. Part No. 250-05999 kit may be used.  
 This appliance is only for use with the type(s) of gas indicated on the rating plate and may be installed in an aftermarket, permanently located, manufactured home (USA only) or mobile home, where not prohibited by local codes. See owner's manual for details. This appliance is not convertible for use with other gases, unless a certified kit is used.  
 This vented gas fireplace heater is not for use with air filters.  
 Keep burner and control compartment clean. See installation and operating instructions accompanying appliance.  
**THIS APPLIANCE MUST BE PROPERLY CONNECTED TO A VENTING SYSTEM IN ACCORDANCE WITH THE MANUFACTURER'S INSTALLATION INSTRUCTIONS.** Use only an approved direct vent system to vent this appliance to the exterior. See owner's manual for approved brands of venting. If the vent-air intake system is disconnected for servicing or any other reason, it must be resealed and / or reinstalled.  
**WARNING:** Improper installation, adjustment, alteration, service or maintenance can cause injury or property damage. Refer to the owner's information manual provided with this appliance. For assistance or additional information consult a qualified installer, service agency or the gas supplier.

**CAUTION:** Do not operate this appliance with glass removed, cracked or broken. Replacement of the panel(s) should be done by a licensed or qualified service person. Hot while in operation. Do not Touch. Severe burns may result. Keep children, clothing, furniture, gasoline and other flammable liquids having flammable vapors away.

## Table of Contents

<b>Overview</b> .....	<b>2</b>	<b>Side Vent Configuration with Horizontal Termination (no vertical rise)</b> .....	<b>28</b>
<b>Listing Details</b> .....	<b>2</b>	<b>Vent Configuration: Horizontal Termination</b> .....	<b>29</b>
<b>Table of Contents</b> .....	<b>3</b>	<b>Vent Configuration: Vertical Termination</b> .....	<b>30</b>
<b>Installation Options</b> .....	<b>6</b>	<b>Masonry Chimney Conversions</b> .....	<b>31</b>
<b>Heating Specifications</b> .....	<b>6</b>	<b>Class A Chimney Conversion</b> .....	<b>32</b>
<b>Dimensions</b> .....	<b>6</b>	<b>Termination Requirements</b> .....	<b>33</b>
<b>Packing List</b> .....	<b>7</b>	<b>Hearth Requirements</b> .....	<b>34</b>
<b>Additional Items Required</b> .....	<b>7</b>	<b>Vinyl Flooring Hearth Recommendations</b> .....	<b>35</b>
<b>Recommended Installation Procedure</b> .....	<b>7</b>	<b>Facing Requirements</b> .....	<b>36</b>
<b>Massachusetts Requirements</b> .....	<b>8</b>	Standard vs. Extended Position.....	37
Requirements for the Commonwealth of Massachusetts.....	8	<b>Thick Facing Guide</b> .....	<b>38</b>
MANUFACTURER REQUIREMENTS.....	8	<b>Mantel Requirements</b> .....	<b>42</b>
<b>Fireplace Placement Requirements</b> .....	<b>9</b>	Mantel Column Clearances.....	42
Clearances.....	9	<b>Use of a Non-Combustible Mantel Below Listed Mantel Clearances</b> .....	<b>43</b>
Raised Fireplaces.....	9	<b>Finalizing the Installation</b> .....	<b>44</b>
<b>Televisions Placed Above the Fireplace</b> .....	<b>10</b>	Pilot Flame Inspection.....	44
<b>Minimum Framing Dimensions – Top or Side Vent Configuration</b> .....	<b>11</b>	Air Shutter Adjustment.....	45
Min. Framing - Without CoolSmart TV kit.....	11	<i>Location of Controls</i> .....	46
Min Framing – With CoolSmart TV Kit.....	11	<b>Pilot Fuel Conservation Timer (GSB &amp; GSR units)</b> .....	<b>47</b>
<b>Header Standoff &amp; Shield Installation</b> .....	<b>12</b>	Glass Frame Removal and Installation.....	48
<b>Removing the Shipping Brackets</b> .....	<b>14</b>	Barrier Screen Visual Deflector Adjustment.....	50
<b>Centering the Fireplace</b> .....	<b>14</b>	<b>Log Set Installation</b> .....	<b>51</b>
<b>Installing the Optional Centering Brackets</b> .....	<b>15</b>	Part Numbers / Compatibility.....	51
<b>Nailing Brackets</b> .....	<b>16</b>	Installation Warnings.....	51
Standard vs Extended Position– Left Side.....	17	Installation – Oak vs. Birch.....	51
Standard vs Extended Position– Right Side.....	18	Log Set Overview – Classic Oak 94500642.....	52
<b>Standoff/Heatshield - Standard vs. Extended Position</b> .....	<b>19</b>	Log Set Overview – Birch 94500641.....	53
<b>Outdoor Fireplace Installations</b> .....	<b>20</b>	Installation.....	54
<b>Gas Line Requirements</b> .....	<b>21</b>	<b>Ember bed Glass and Ember Material Installation</b> .....	<b>61</b>
Fuel.....	21	Ember bed Glass Installation.....	61
Gas Line Connection.....	21	Ember Material Installation (GSR2 ONLY).....	62
Gas Inlet Pressure.....	21	<b>LP Conversion Instructions</b> .....	<b>63</b>
<b>Gas Connection</b> .....	<b>22</b>	<b>Fireback Installation</b> .....	<b>66</b>
<b>Electrical Connection (required)</b> .....	<b>23</b>	<b>SKU #'s</b> .....	<b>66</b>
<b>Vent Requirements</b> .....	<b>24</b>	<b>Compatibility</b> .....	<b>66</b>
Vent Clearances.....	24	<b>Packing List</b> .....	<b>66</b>
Vent Firestop or Thimble.....	24	<b>Preparing the Firebacks (BLACK GLASS ONLY) Installation</b> .....	<b>67</b>
Altitude Considerations.....	24	<b>CoolSmart TV – Installation Overview (Optional)</b> .....	<b>69</b>
Approved Termination.....	24	PB 36CF ST - Installation Requirements.....	70
Approved Vent.....	24	PB 36CF ST - Framing the Chase.....	71
Approved Vent.....	25	PB 36CF ST - Fireplace Preparation.....	72
Vent Installation.....	25	PB 36CF ST- Reduced Mantel Height.....	74
<b>Approved Vent Configurations</b> .....	<b>26</b>	<b>Wiring Diagram</b> .....	<b>75</b>
Restrictor Position.....	26	Index.....	76
Exhaust Restrictor Adjustment.....	26		
<b>Diffuser Plate Adjustment</b> .....	<b>27</b>		

### Safety Warnings

- Failure to follow all of the requirements may result in property damage, bodily injury, or even death.

**Young children should be carefully supervised when they are in the same room as the appliance. Toddlers, young children, and others may be susceptible to accidental contact burns. A physical barrier is recommended if there are at-risk individuals in the house. To restrict access to a fireplace or stove, install an adjustable safety gate to keep toddlers, young children, and other at-risk individuals out of the room and away from hot surfaces.**

**Children and adults should be alerted to the hazards of high surface temperature and should stay away to avoid burns or clothing ignition. Do not touch the hot surfaces of the heater. Educate all children of the danger of a high-temperature heater.**

**Due to the high temperature, the heater should be located out of traffic and away from furniture and draperies.**

- This unit must be installed by a qualified installer to prevent the possibility of an explosion.
- This appliance must be installed in accordance with all local codes if any; if not, in U.S.A. follow ANSI Z223.1 and NFPA 54(88), in Canada follow CSA B149.1. In Australia follow AS/NZS 5601.1.
- A manufactured home (USA only) or mobile home OEM installation must conform with the Manufactured Home Construction and Safety Standard, Title 24 CFR, Part 3280, or, when such a standard is not applicable, the Standard for Manufactured Home Installations, ANSI/NCSBCS A225.1, or Standard for Gas Equipped Recreational Vehicles and Mobile Housing, CSA Z240.4. This appliance may be installed in Manufactured Housing only after the home is site located.
- All exhaust gases must be vented outside the structure of the living area. Combustion air is drawn from outside the living-area structure. The venting must not be connected to a chimney flue serving a separate solid fuel burning appliance.
- Notify your insurance company before hooking up this fireplace.
- The instructions in this manual must be strictly adhered to. Do not use makeshift methods or compromise in the installation. Improper installation will void the warranty and safety listing.
- This heater is approved for use with natural gas (NG) or propane (LP). Burning the incorrect fuel will void the warranty and safety listing and may cause an extreme safety hazard. Direct questions about the type of fuel used to your dealer.
- Contact your local building officials to obtain a permit and information on any installation restrictions or inspection requirements in your area.
- If the flame becomes sooty, dark orange in color, or extremely tall, do not operate the heater. Call your dealer and arrange for proper servicing.
- It is imperative that control compartments, screens, or circulating air passageways of the heater be kept clean and free of obstructions. These areas provide the air necessary for safe operation.
- Do not operate the heater if it is not operating properly in any fashion or if you are uncertain. Call your dealer for a full explanation of your heater and what to expect.
- Do not store or use gasoline or other flammable liquids in the vicinity of this heater.
- Do not operate if any portion of the heater was submerged in water or if any corrosion occurs. Immediately call a qualified service technician to inspect the appliance and replace any part of the control system and any gas control which has been underwater.

### ***Safety Warnings (continued)***

- Because this heater can be controlled by a thermostat there is a possibility of the heater turning on and igniting any items placed on or near the appliance.
- Light the heater using the built-in igniter. Do not use matches or any other external device to light your heater.
- Never remove, replace, modify, or substitute any part of the heater unless instructions are given in this manual. All other work must be done by a trained technician. Don't modify or replace orifices.
- The viewing glass should be opened only for conducting service.
- Allow the heater to cool before carrying out any maintenance or cleaning.
- Operate the heater according to the instructions included in this manual.
- If the main burners do not start correctly turn the gas off and call your dealer for service.
- This unit is not for use with solid fuel.
- Do not place anything inside the firebox (except the optional artwork).
- **WARNING:** Do not operate the appliance with the glass front removed, cracked, or broken. Replacement of the glass should be done by a licensed or qualified service person.
- Do not throw this manual away. This manual has important operating and maintenance instructions that you will need at a later time. Always follow the instructions in this manual.
- Instruct everyone in the house on how to shut gas off to the appliance and at the gas main shutoff valve. The gas main shutoff valve is usually next to the gas meter or propane tank and requires a wrench to shut off.
- A barrier designed to reduce the risk of burns from the hot viewing glass is provided with this appliance and shall be installed for the protection of children and other at-risk individuals.
- If the barrier becomes damaged, the barrier shall be replaced with the manufacturer's barrier for this appliance.
- Clothing or other flammable material should not be placed on or near the appliance.
- Any safety screen, guard, or barrier removed for servicing an appliance must be replaced prior to operating the appliance.
- Installation and repair should be done by a qualified service person. The appliance should be inspected before use and at least annually by a professional service person. More frequent cleaning might be required due to excessive lint from carpeting, bedding material, et cetera. It is imperative that control compartments, burners, and circulating air passageways of the appliance be kept clean.
- **Travis Industries, Inc. grants no warranty, implied or stated, for the installation or maintenance of your heater, and assumes no responsibility for any consequential damage(s).**



**Proposition 65 Warning:** Fuels used in gas, woodburning or oil-fired appliances, and the products of combustion of such fuels, contain chemicals known to the State of California to cause cancer, birth defects, and other reproductive harm. California Health & Safety Code Sec. 25249.6

# 6

# Features and Specifications

## Installation Options

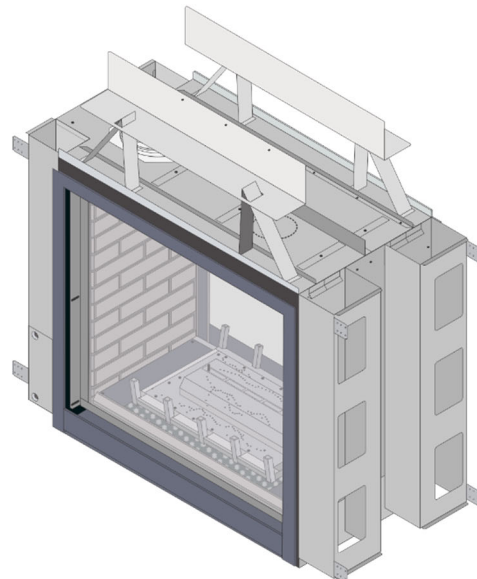
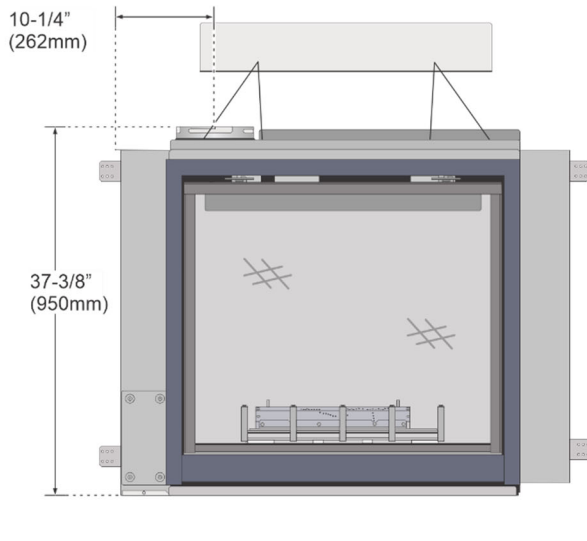
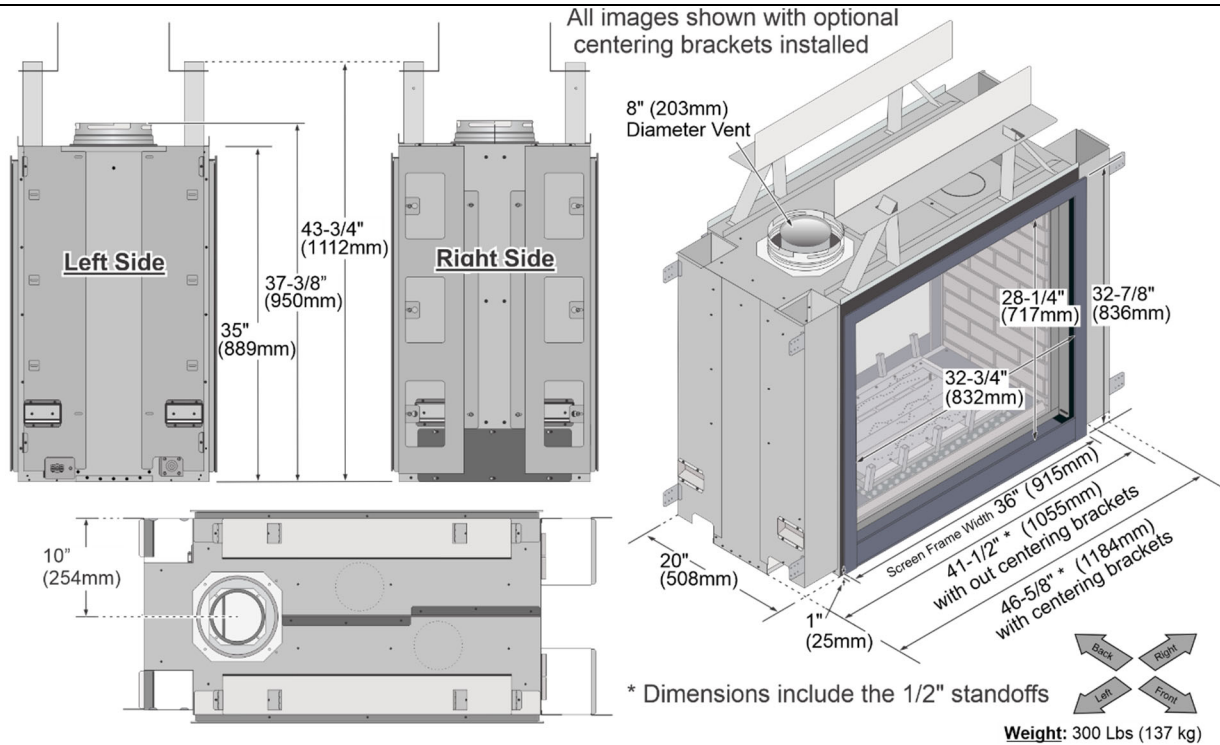
- Residential or Mobile Home
- Raised or Floor Placement
- Internal or External Chase
- Horizontal or Vertical Vent
- Bedroom Approved

## Heating Specifications

	Natural Gas	Propane
Approximate Heating Capacity (in square feet) *	Up to 1,800	Up to 1,800
Maximum BTU Input Per Hour (BTU/hr.)	37,500	37,500

\* Heating capacity will vary with floor plan, insulation, and outside temperature.

## Dimensions



## Packing List

---

- LP (Propane) Conversion Kit:  
Outer Burner Orifice (1.25mm), Center Burner Orifice (1.25mm), Pilot Orifice (0.14 LP),

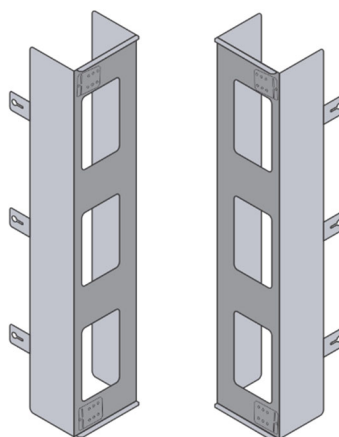


- Thimble (2-Piece Assembly)



- (2) Header Shields

- Optional Centering Brackets  
(see section “Centering the  
Fireplace” for details)



- Remote

## Additional Items Required

---

- If using LP (propane) a conversion kit is required (4-pack = 94400999, single = 250-01463).
- Direct Vent Pipe
- Gas Line Equipment (shutoff valve, pipe, etc.)
- Electrical Equipment (min. 14-gauge, grounded line)
- Log Set (Oak – sku# 94500642 or Birch – sku# 94500641)

## Recommended Installation Procedure

---

- Prepare the framing, making sure to leave the area around the fireplace open (see page 11). Make sure to allow for vent installation and facing depth.
- Place the fireplace into position.
- Install the vent, gas line, and electrical hook-up.
- Finalize the framing around the fireplace.
- Secure the fireplace to the framing.
- Install the drywall.
- Install the hearth (if applicable).
- Install the facing (if applicable).
- Install the mantel (if applicable).
- Install the media and embers.
- Finalize the installation (see page 44) and install the face.

**Massachusetts Requirements**

NOTE: The following requirements reference various Massachusetts and national codes not contained in this document.

**Requirements for the Commonwealth of Massachusetts**

For all side wall horizontally vented gas fueled equipment installed in every dwelling, building, or structure used in whole or in part for residential purposes, including those owned or operated by the Commonwealth and where the side wall exhaust vent termination is less than seven (7) feet above finished grade in the area of the venting, including but not limited to decks and porches, the following requirements shall be satisfied:

**Installation of Carbon Monoxide Detectors**

At the time of installation of the side wall horizontal vented gas fueled equipment, the installing plumber or gasfitter shall observe that a hard-wired carbon monoxide detector with an alarm and battery backup is installed on the floor level where the gas equipment is to be installed. In addition, the installing plumber or gasfitter shall observe that a battery operated or hard-wired carbon monoxide detector with an alarm is installed on each additional level of the dwelling, building, or structure served by the side wall horizontal vented gas fueled equipment. It shall be the responsibility of the property owner to secure the services of qualified licensed professionals for the installation of hard-wired carbon monoxide detectors.

In the event that the side wall horizontally vented gas fueled equipment is installed in a crawl space or an attic, the hard-wired carbon monoxide detector with alarm and battery back-up may be installed on the next adjacent floor level.

In the event that the requirements of this subdivision cannot be met at the time of completion of installation, the owner shall have a period of thirty (30) days to comply with the above requirements; provided, however, that during said thirty (30) day period, a battery-operated carbon monoxide detector with an alarm shall be installed.

**Approved Carbon Monoxide Detectors**

Each carbon monoxide detector as required in accordance with the above provisions shall comply with NFPA 720 and be ANSI/UL 2034 listed and IAS certified.

**Signage**

A metal or plastic identification plate shall be permanently mounted to the exterior of the building at a minimum height of eight (8) feet above grade directly in line with the exhaust vent terminal for the horizontally vented gas fueled heating appliance or equipment. The sign shall read, in print size no less than one-half (1/2) inch in size, "GAS VENT DIRECTLY BELOW. KEEP CLEAR OF ALL OBSTRUCTIONS."

**Inspection**

The state or local gas inspector of the side wall horizontally vented gas fueled equipment shall not approve the installation unless, upon inspection, the inspector observes carbon monoxide detectors and signage installed in accordance with the provisions of 248 CMR 5.08(2)(a)1 through 4.

**Exemptions**

The following equipment is exempt from 248 CMR 5.08(2)(a)1 through 4:

- The equipment listed in Chapter 10 entitled "Equipment Not Required to Be Vented" in the most current edition of NFPA 54 as adopted by the Board; and
- Product Approved side wall horizontally vented gas fueled equipment installed in a room or structure separate from the dwelling, building, or structure used in whole or in part for residential purposes.

**MANUFACTURER REQUIREMENTS****Gas Equipment Venting System Provided**

When the manufacturer of Product Approved side wall horizontally vented gas equipment provides a venting system design or venting system components with the equipment, the instructions provided by the manufacturer for installation of the equipment and the venting system shall include:

- Detailed instructions for the installation of the venting system design or the venting system components; and
- A complete parts list for the venting system design or venting system.

**Gas Equipment Venting System NOT Provided**

When the manufacturer of a Product Approved side wall horizontally vented gas fueled equipment does not provide the parts for venting the flue gases but identifies "special venting systems," the following requirements shall be satisfied by the manufacturer:

- The referenced "special venting system" instructions shall be included with the appliance or equipment installation instructions; and
- The "special venting systems" shall be Product Approved by the Board, and the instructions for that system shall include a parts list and detailed installation instructions.

A copy of all installation instructions for all Product Approved side wall horizontally vented gas fueled equipment, all venting instructions, all parts lists for venting instructions, and/or all venting design instructions shall remain with the appliance or equipment at the completion of the installation.

See the Gas Connection section for additional Commonwealth of Massachusetts requirements.

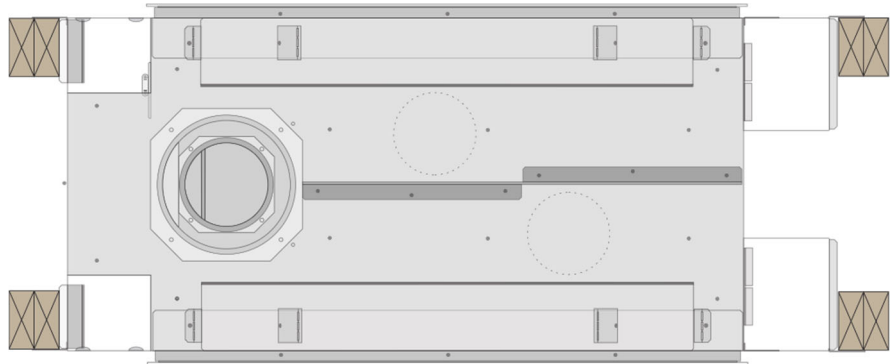


## Fireplace Placement Requirements

- The fireplace must be installed on a level surface capable of supporting the fireplace and vent.
- The fireplace must be placed directly on wood or a non-combustible surface (not on linoleum or carpet).
- This heater may be placed in a bedroom. Please be aware of the large amount of heat this appliance produces when determining a location.
- The fireplace must be installed in a room with a minimum ceiling height of 84" (2134mm).

## Clearances

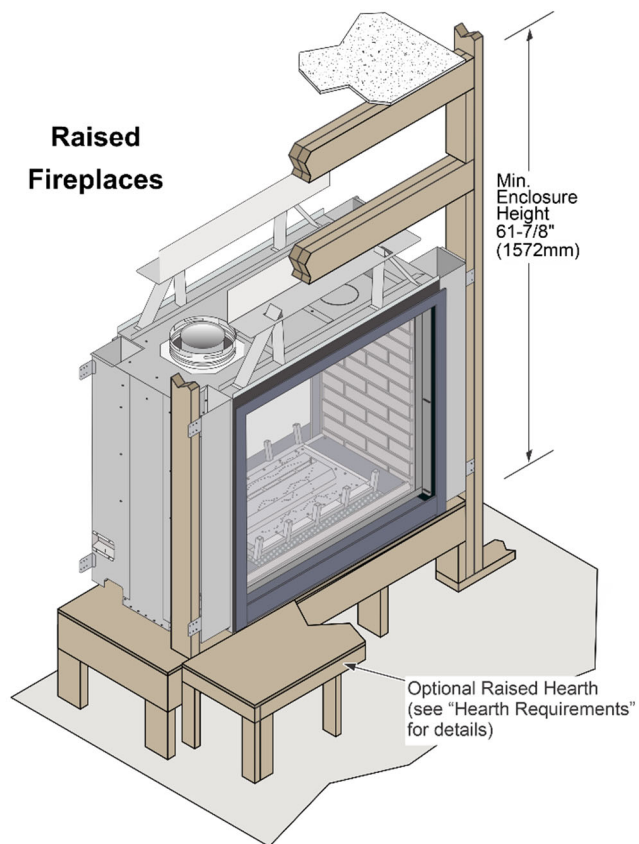
- The fireplace requires a ½" (13mm) clearance from both ends of the fireplace (including the air intake bump out). No material (insulation, framing, etc.) may be placed in this area.



- Due to the high temperature, the heater should be located out of traffic and away from furniture and draperies.
- The fireplace must be placed so the vents below and above the glass do not become blocked.

## Raised Fireplaces

- The fireplace (and hearth, if desired) may be placed on a platform designed to support the fireplace (300 Lbs. 137 kg) and vent.
- The base of the fireplace must be a minimum of 60" (1524mm) below the room ceiling.

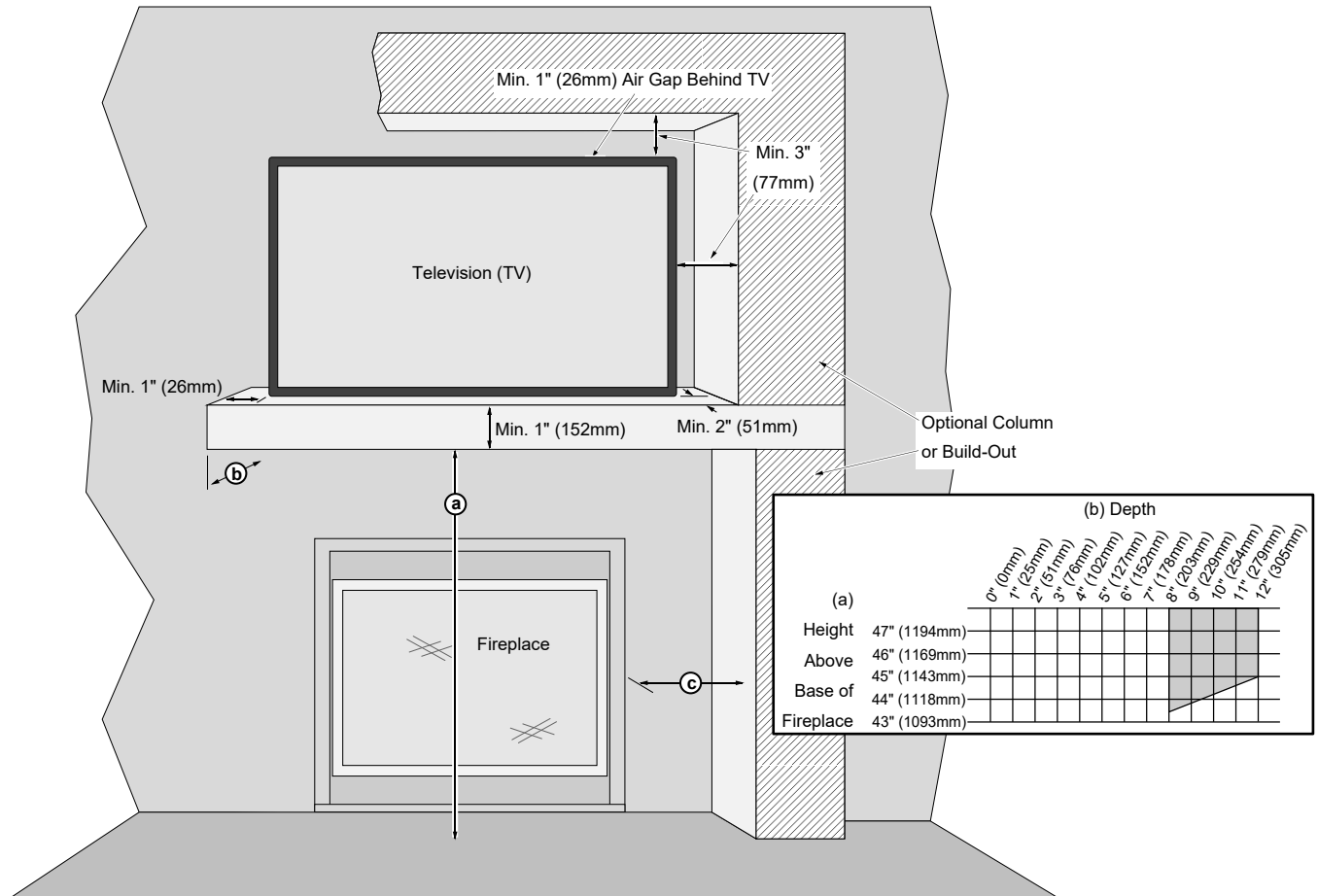


Televisions Placed Above the Fireplace

The following section gives guidelines to place a television above the fireplace.

**IMPORTANT NOTE REGARDING TELEVISIONS AND THIS FIREPLACE**

Most television manufacturers instruct the homeowner not to place the television above a heat source like this fireplace. Doing so may decrease the longevity of the television and negate the warranty. If you do place a television above the fireplace, you should place a mantel (or build-out) between the fireplace and television (or **use a CoolSmart TV Wall™ kit**). Follow the guidelines below to reduce the amount of heat reaching the television. Travis Industries does not take responsibility for any negative impact on televisions placed near this fireplace.



**Minimum Dimensions:**

(a) Minimum Mantel Height above Base of Fireplace*	43-1/2" (1106mm) with 8" (203mm) mantel depth*
(b) Mantel Depth*	Minimum 8" (203mm) *
(c) Optional Columns (or Build-Out)	Must Meet Side Wall Clearances (Measured to the side of fireplace ZC-can)

**\* Minimum mantel depth must be 8" to allow heat to dissipate. If using a mantel larger than 8", make sure to adjust the mantel height (a) to meet the mantel clearance (see mantel requirements and/or chart above).**

- The mantel must extend 2" in front of the television and 1" to both sides.
- If you have a television that is greater than 6" deep (including the 1" gap behind), you will need to alter the mantel depth and height (see the example below).
- The television must have a 1" gap to the wall to allow for proper cooling. Any build-out near the television must maintain a 3" gap to the top and sides to prevent heat from being trapped near the television.

**EXAMPLE:** If you have a television that is 9" deep (including the 1" gap behind), the mantel must be 11". The mantel height would need to be 44-1/2" (1156mm) above the base of the fireplace.

**WIRING NOTE:** If running wiring into the enclosure, you may wish to use thermal insulating wrap around the wiring. Secure the wiring to protect it from contact with hot surfaces.

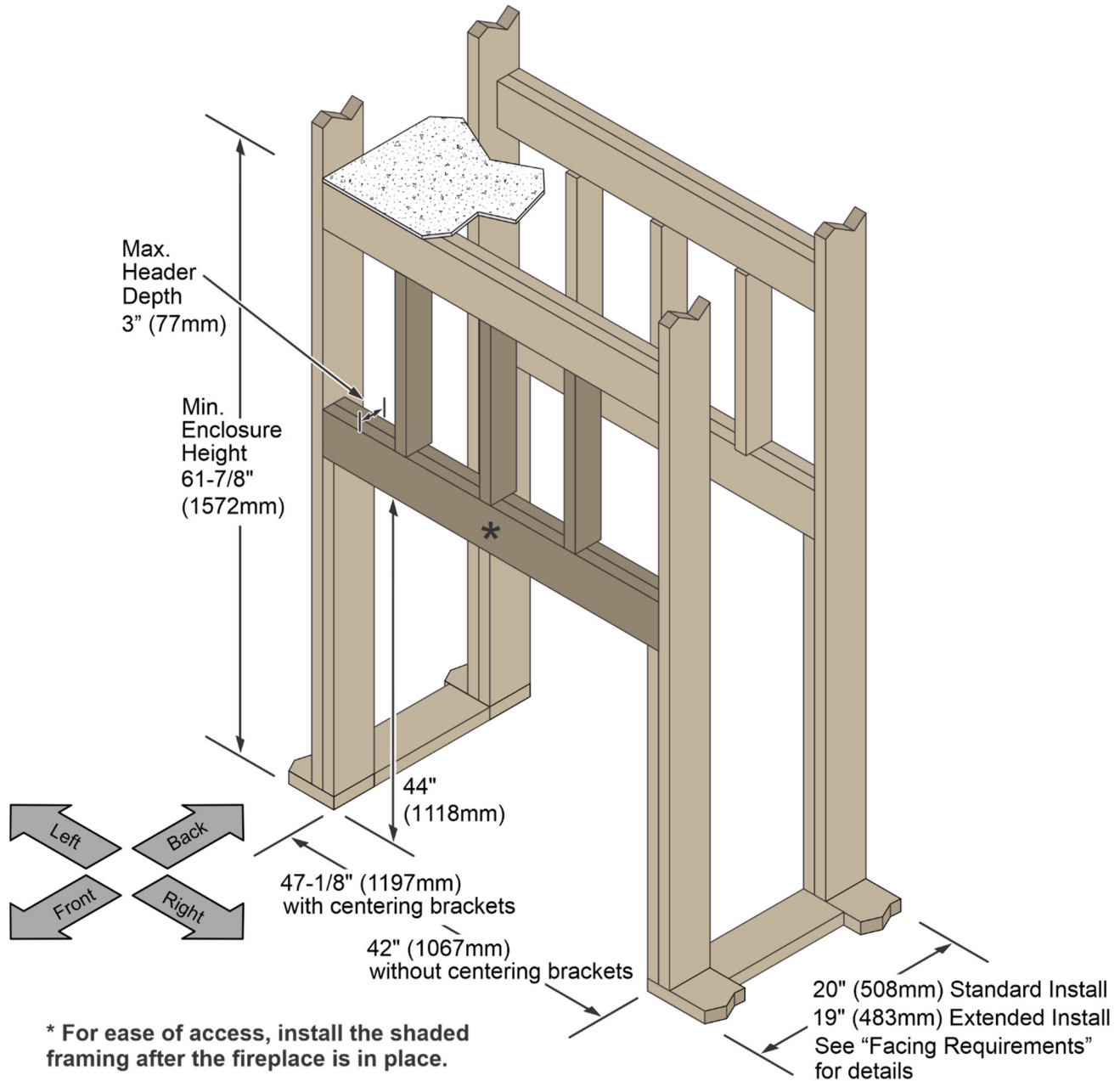
## Minimum Framing Dimensions – Top or Side Vent Configuration

### Min. Framing - Without CoolSmart TV kit



### WARNING

When using a CoolSmart TV kit, see section: “CoolSmart TV - Framing the Chase” on page 71.

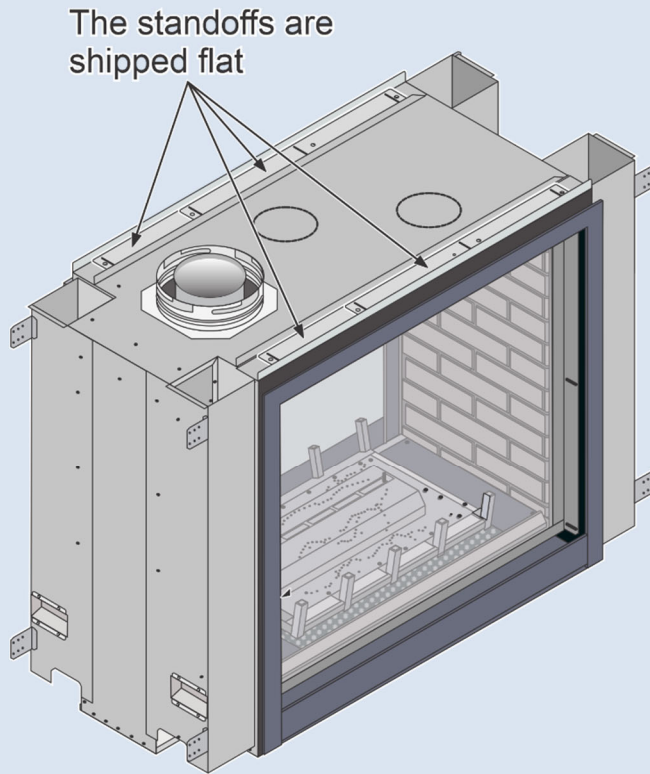


### Min Framing – With CoolSmart TV Kit

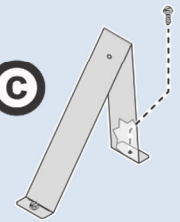
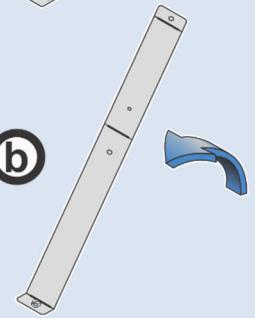
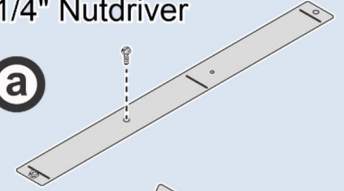
When using a CoolSmart TV kit, see section: “CoolSmart TV - Framing the Chase” on page 71 of this manual or the installation instructions included with the kit for minimum framing dimensions.

Header Standoff & Shield Installation

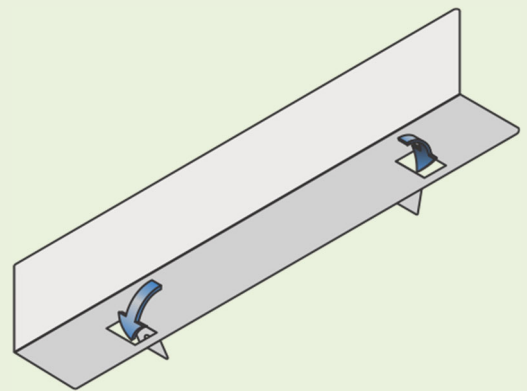
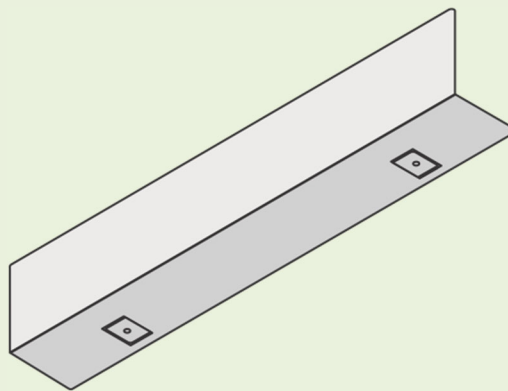
1. The (4) header standoffs (2 on each side) are screwed down flat to the front edge of the top of the fireplace. Remove the screw that is closest to the center of the fireplace on each standoff. Bend the legs at the perforations as shown below and attach the foot of the standoff to the top of the fireplace using the screw removed earlier in this step.



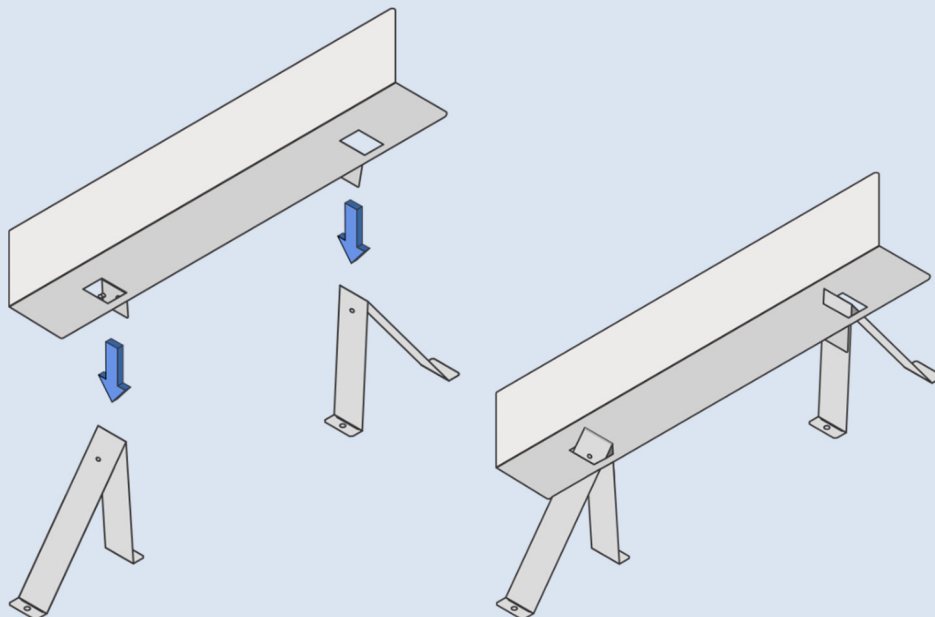
1/4" Nutdriver



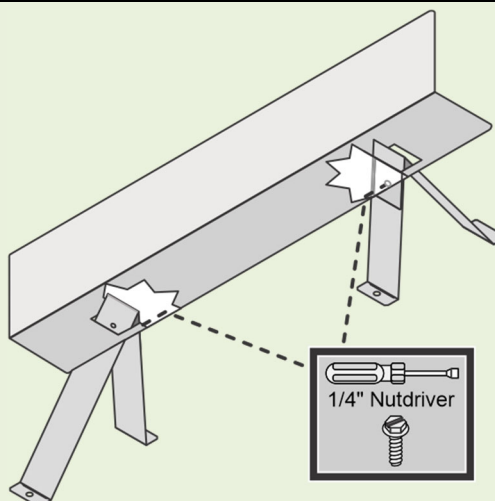
2. On the header shield, bend the two tabs downward.



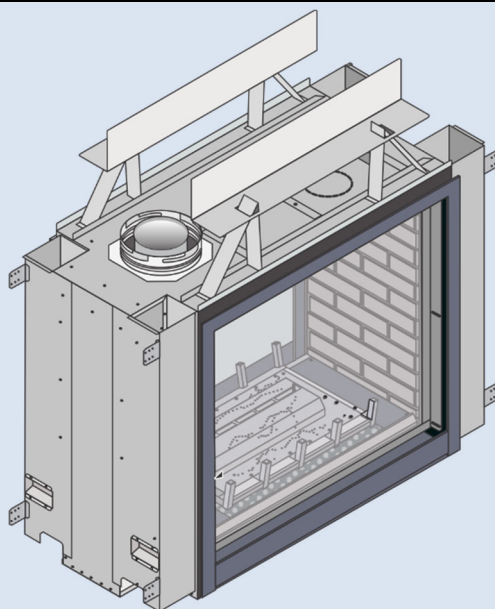
3. Set the header shield onto the standoffs with the 90° bend facing the middle of the fireplace. The tips of the standoffs will protrude through the heat shield.



4. Attach the heat shield to the standoffs by aligning the holes on the heat shield tabs with the holes in the header standoffs and secure using the included screws.

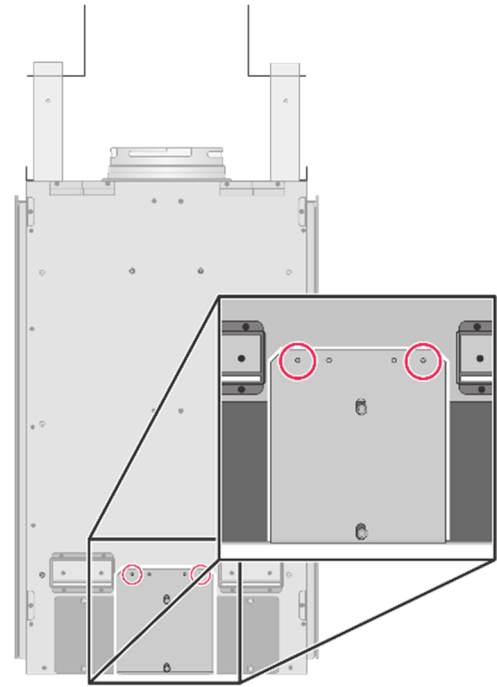


5. When finished the fireplace should look like the illustration to the right.



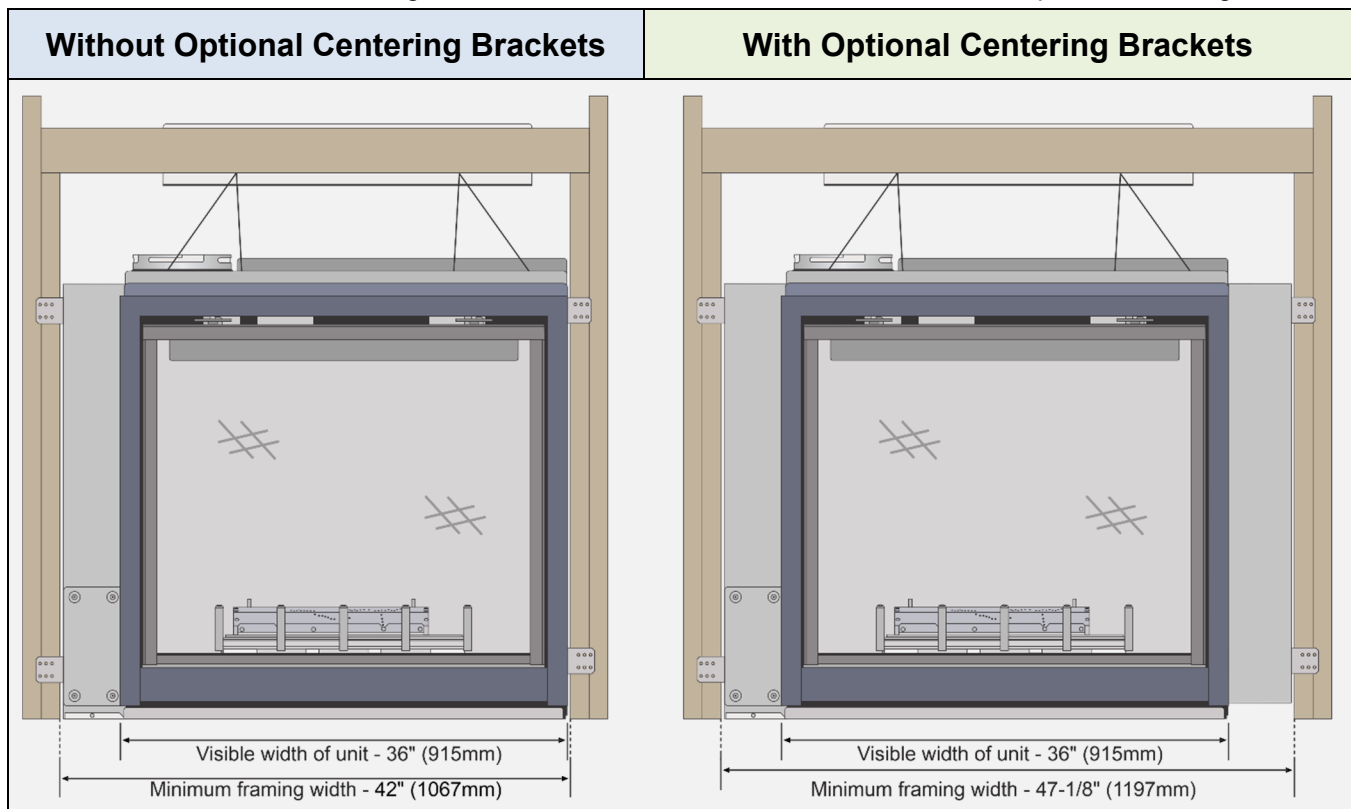
### Removing the Shipping Brackets

Remove the shipping brackets from the lower middle of both ends of the fireplace. Use an 1/4" nut driver to remove the (2) bolts that secure the bracket to the side of the fireplace. Set the bolts aside for reinstallation. Discard the shipping bracket.



### Centering the Fireplace

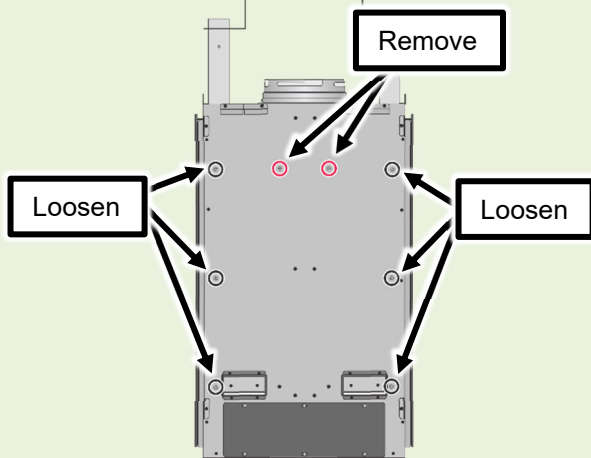
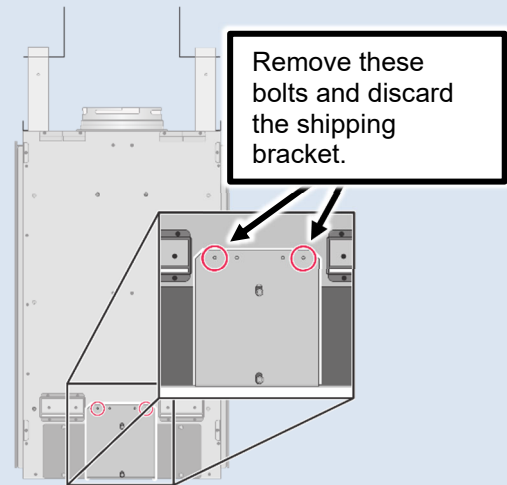
The fireplace opening is not centered on the fireplace. The left half of the fireplace (when looking at the control side) is wider than the right half. Depending on the desired finished appearance of the fireplace different framing dimensions will be required to center the visible portion of the fireplace in the wall. See the illustration below for the minimum framing width needed for installations with and without the optional centering brackets.



## Installing the Optional Centering Brackets

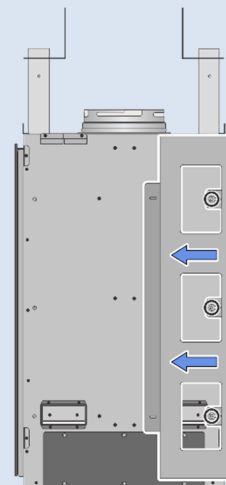
To install the optional centering brackets, follow the steps below.

1. If not already removed, remove the shipping bracket from the lower middle of the right side of the fireplace. Use an 1/4" nut driver to remove the two bolts that secure the bracket to the side of the fireplace. Set the bolts aside for reinstallation. Discard the shipping bracket.

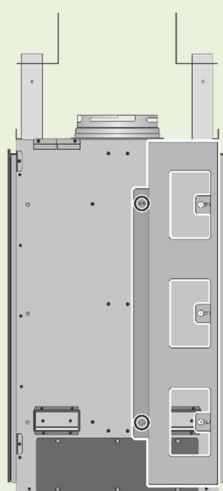


2. Loosen (but do not remove) the (6) bolts along the outer edge of the end of the fireplace marked with black circles. Remove the (2) bolts marked with red circles to the right. Set the bolts aside for reinstallation.

3. Place the keyhole slots on the centering bracket over the three bolts along one of the edges of the fireplace. With the keyholes over the loosened bolts, slide the bracket toward the center. The position of the standoff is dictated by the desired way to apply the finish material (see "Standard vs Extended Position" on page 37).



4. When the bracket is in the desired position, install the bolts that were removed in steps 1 & 2 and tighten the (3) bolts that the keyhole slots engaged



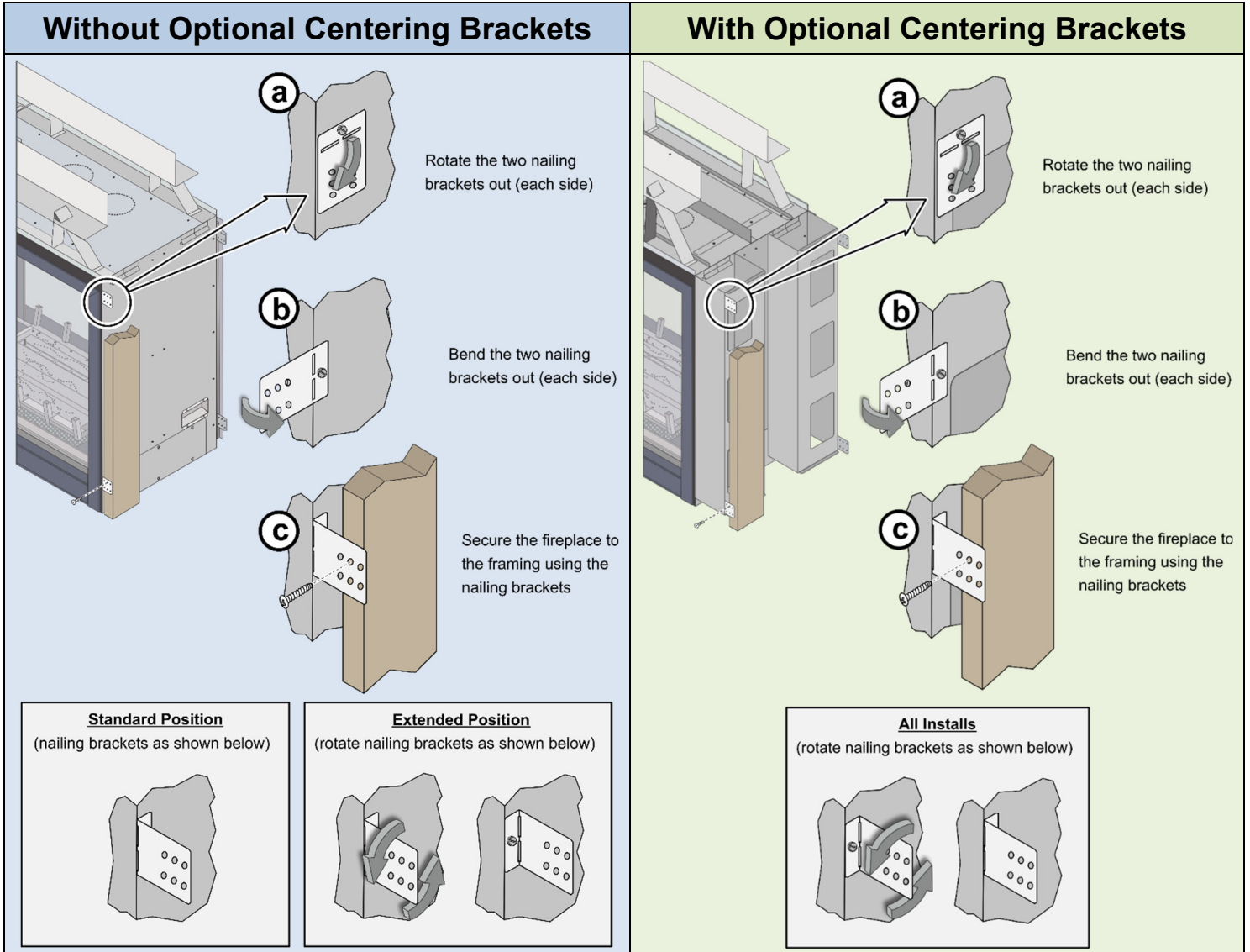
5. Repeat the above steps with the second centering bracket.

**Nailing Brackets**

The fireplace has nailing brackets on both sides (the right side of the fireplace has them if the centering brackets are not used). Secure the fireplace to the framing with the nailing brackets. The nailing brackets should be oriented as shown below for all installs regardless of whether it is a flush installation or an extended installation.

**NOTE:** Make sure the fireplace is square and plumb when placed in the framing. Measured corner-to-corner the fireplace should be square. Use shims to ensure the fireplace is square.

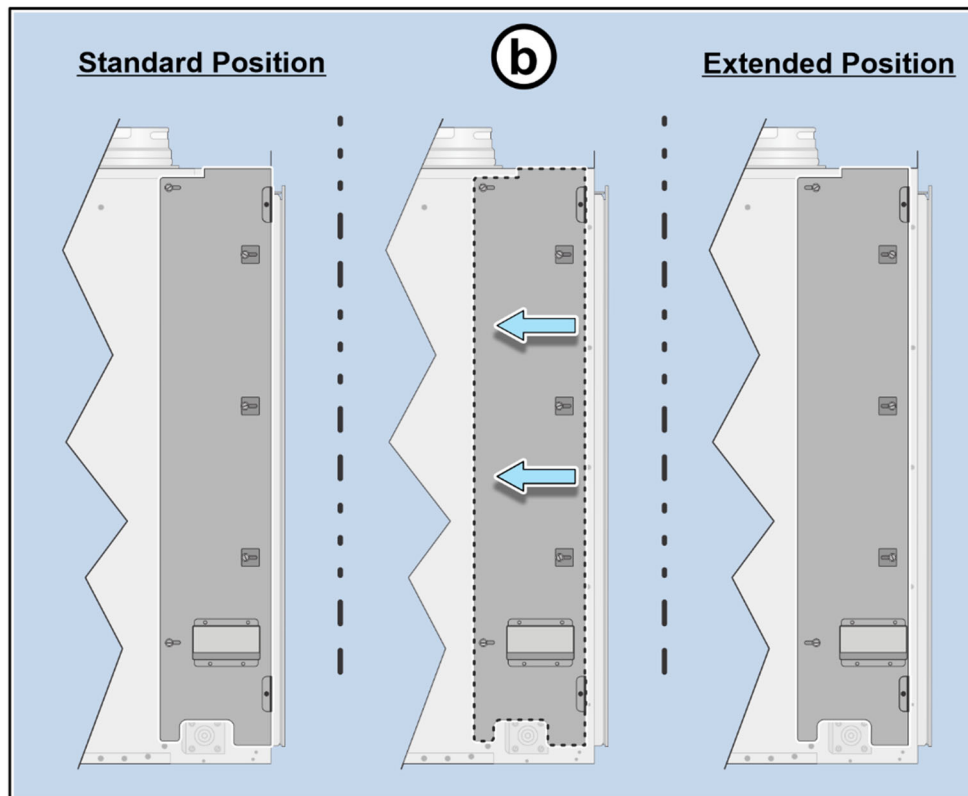
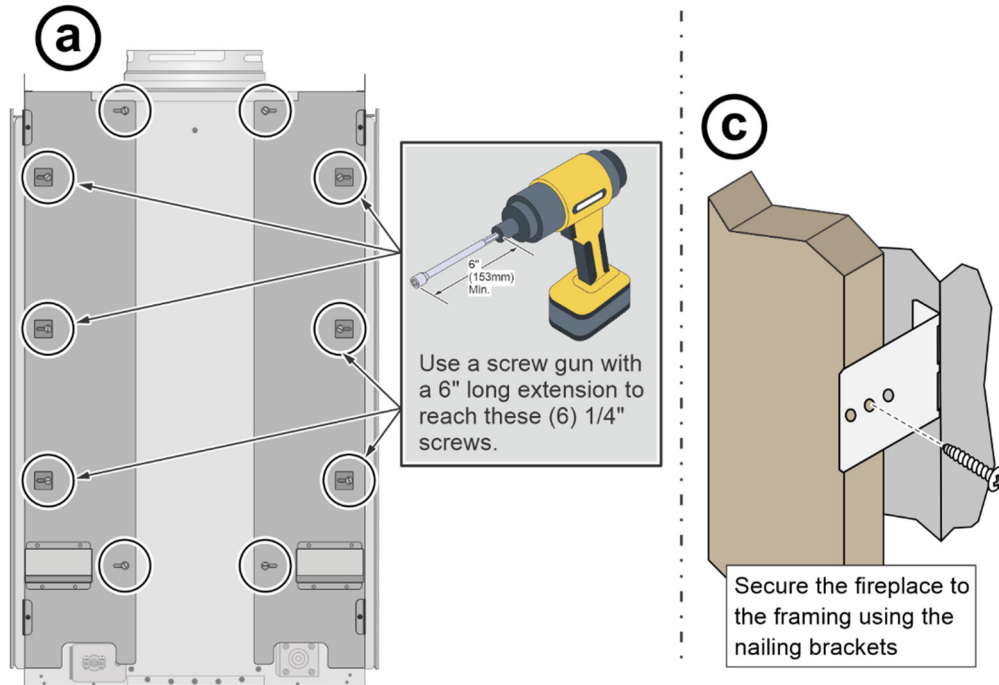
**NOTE:** To prepare the nailing brackets, follow the steps below.





## Standard vs Extended Position– Left Side

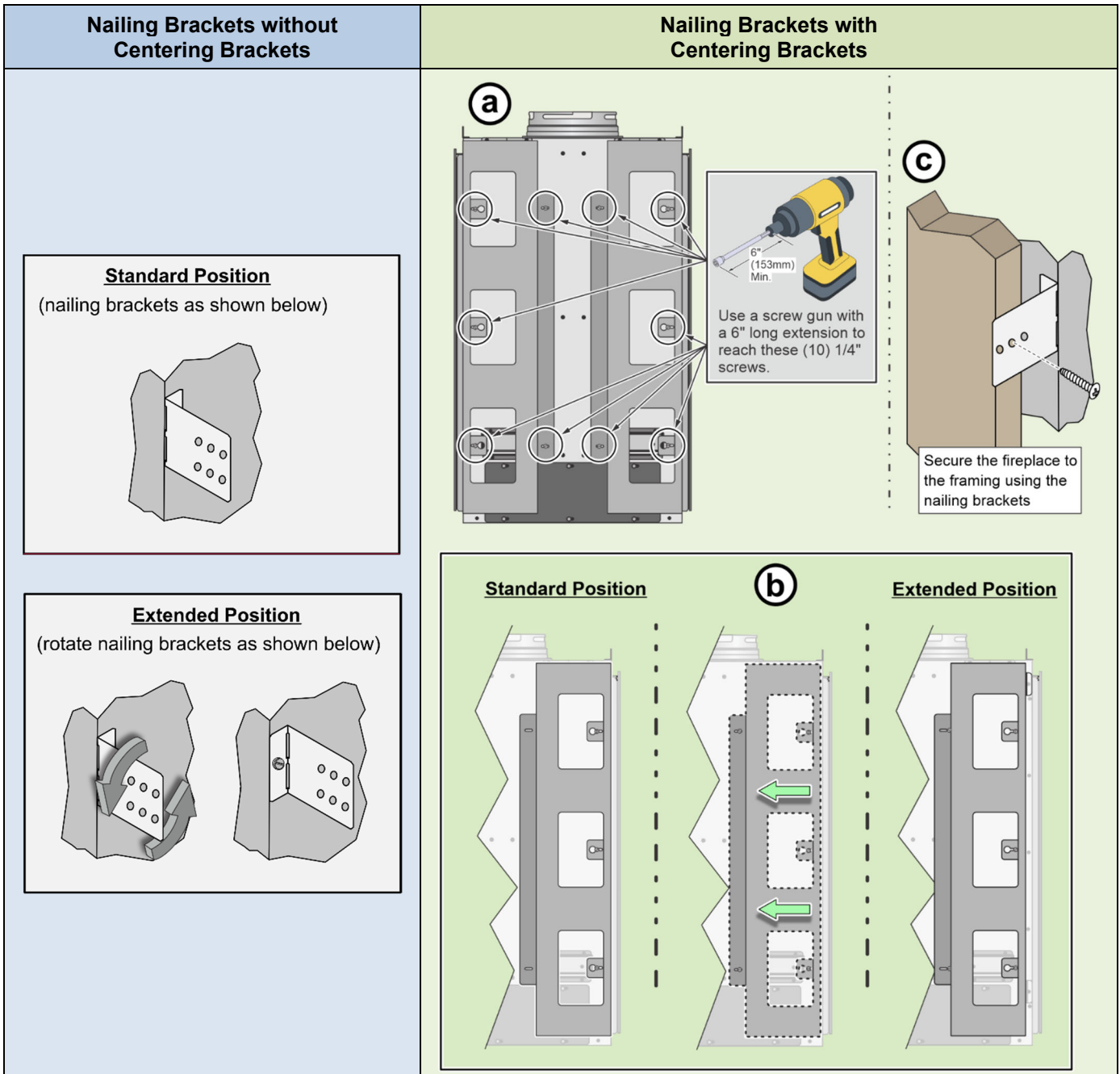
The left side of the fireplace has two movable panels with attached nailing brackets that act as support for the finish material. The nailing brackets have two positions: standard or extended. See the section "Facing Requirements" for details on which position is best for your installation. The panels come in the "standard position" from the factory. To reposition the panels and nailing brackets to the "extended" position, loosen the (10) 1/4" screws (5 on each panel) and slide the panels inward (a & b). Tighten down the screws to secure the panels. Secure the fireplace to the framing with the nailing brackets (c).



**Standard vs Extended Position– Right Side**

There are nailing brackets attached to the body of the fireplace on the right side. If the optional centering brackets are not used position the nailing flanges as shown below, left.

There are also nailing flanges on the optional centering brackets. If the centering brackets are used, position the centering brackets as shown below right to accommodate the style of facing that you will be using (If using the centering brackets on the right side of the fireplace, they can be moved backward to accommodate the extended finish material style of install (see “Standard vs. Extended Position” on page 37 for details). The centering brackets have attached nailing brackets that act as support for the finish material. When using the centering brackets the nailing brackets **MUST BE IN THE POSITION SHOWN BOTTOM RIGHT**. See the section “Facing Requirements” for details on which position is best for your installation. To reposition the centering brackets, loosen the (10) 1/4" screws (5 on each panel) and slide the panels to the desired position (a & b). Tighten down the screws to secure the panels. Secure the fireplace to the framing with the nailing brackets (c).

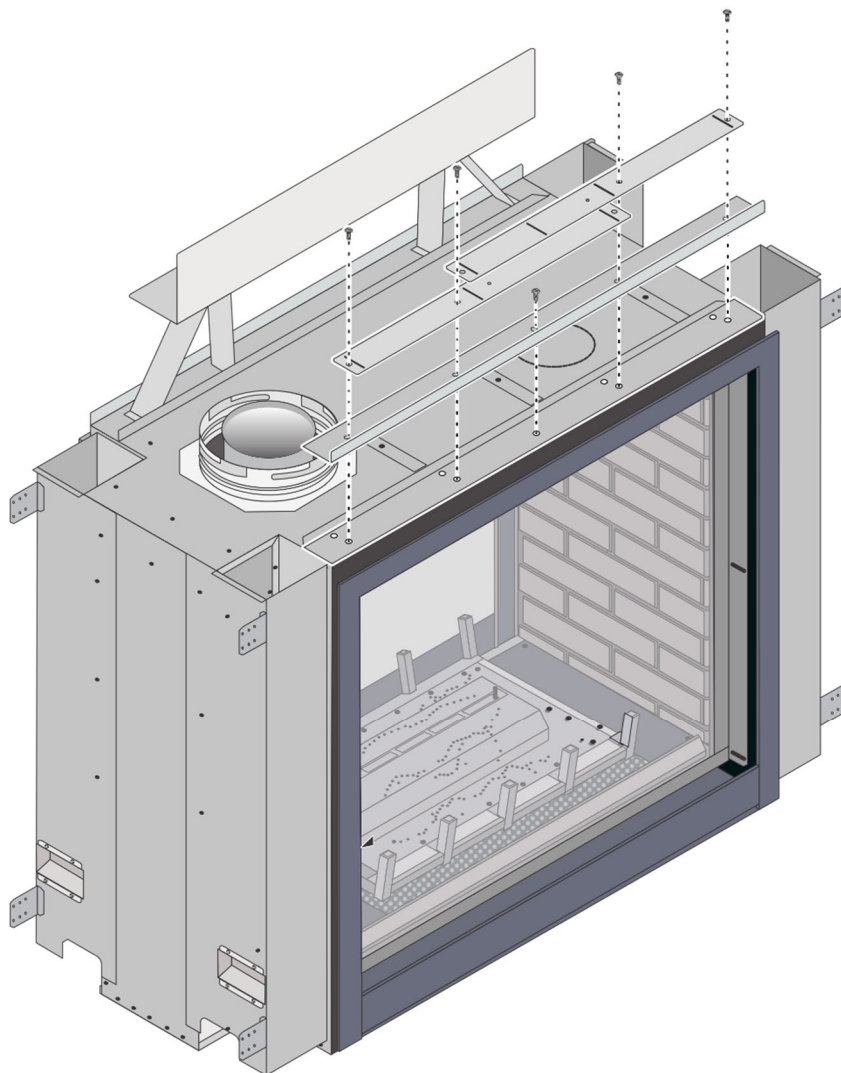


## ***Standoff/Heatshield - Standard vs. Extended Position***

There are two positions where the standoff/heat shield assembly can be installed. The standoffs are shipped in the standard (forward) position.

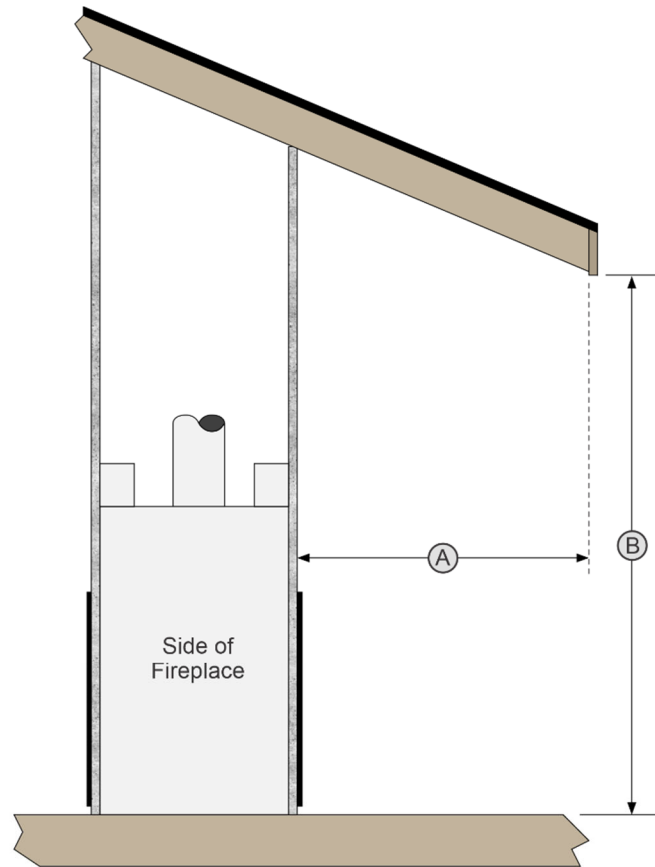
- If the unit is installed in the standard position no modification is needed.
- If the unit is being installed in the extended position, the standoff/heat shield assembly must be repositioned back 1/2" (see illustration below).

NOTE: see pages 11 & 37 for additional details about standard vs. extended installations.



## Outdoor Fireplace Installations

Travis Industries Inc. gas-fired fireplaces are suitable for installation in outdoor areas protected from direct water impingement. In addition to maintaining listed mantel and combustibles clearances, a rain protection overhang factor of 1/2 shall be constructed to the front and to each side of installed appliances (see the illustration to the right). All wiring connections to line power shall be in accordance with the outdoor requirements of NECA NFPA 70.



The overhang (A) must extend at least 1/2 the roofline height (B). Height is measured from the base of the fireplace.

**For example:** If the roofline (B) is 10' (3M) above the base of the fireplace, the overhang (A) must be at least 5' (1.5M)

### Warnings Regarding Tempered Glass

This fireplace uses tempered glass which is susceptible to thermal shock. Take care to prevent water from contacting the fireplace, especially if it is hot.



**The fireplace may not be used as an indoor-outdoor partition (i.e., The fireplace may not be placed on an exterior wall)**

The fireplace may be installed in an outdoor location. However, it may not be used as an indoor/outdoor partition (i.e., one side inside, one side outside). This fireplace conveys air through the side openings, making this type of installation prohibited.



**Travis Industries is not responsible for any damage caused by water, corrosion, oxidation, or rust to the fireplace, its components, or any optional accessories (e.g., faces, trim, firebacks, etc.)**



## Gas Line Requirements

### MASSACHUSETTS INSTALLATIONS - **WARNING:**

THIS PRODUCT MUST BE INSTALLED BY A LICENSED PLUMBER OR GAS FITTER WHEN INSTALLED WITHIN THE COMMONWEALTH OF MASSACHUSETTS.

#### OTHER MASSACHUSETTS CODE REQUIREMENTS:

- The flexible connector must not be longer than 36 inches.
- The shutoff valve must be a "T" handle gas cock.
- Only direct vent sealed combustion products are approved for bedrooms or bathrooms.
- Fireplace dampers must be removed or welded in the open position prior to the installation of a fireplace insert or gas log.
- A carbon monoxide (CO) detector is required in the same room as the appliance.

- The gas line must be installed in accordance with all local codes and the requirements listed below. In the absence of local codes, follow ANSI 223.1 in US/Canada or AS/NZS 5601.1 in Australia.
- The fireplace and gas control valve must be disconnected from the gas supply piping during any pressure testing of that system at test pressures in excess of 1/2 psig (3.5 kPA). For pressures under 1/2 psig (kPA), isolate the gas supply piping by closing the manual shutoff valve.
- Leak test all gas line joints and the gas control valve prior to and after starting the fireplace.

## Fuel

- This fireplace is designed either for natural gas or propane (but not for both). Check the sticker on the top of the gas control valve to make sure the correct fuel is used.

## Gas Line Connection

- Installation must be performed by a qualified installer, service agency, or the gas supplier (In Massachusetts a licensed plumber/gasfitter).
- The gas inlet accepts 1/2" MPT.

## Gas Inlet Pressure

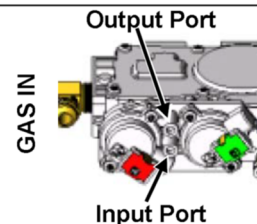
Gas Pressure	Max. Input Pressure	Min. Input Pressure	Max. Manifold Pressure	Min. Manifold Pressure
<b>Natural Gas</b>	7" W.C. (1.74 kPA)	5.5" W.C. (1.37 kPA)	3.8" W.C. (0.87 kPA)	1.1" W.C. (0.40 kPA)
<b>Propane</b>	13" W.C. (3.23 kPA)	11" W.C. (2.74 kPA)	11" W.C. (2.74 kPA)	2.9" W.C. (0.72 kPA)

- If the pressure is not sufficient, make sure the piping used is large enough, the supply regulator is adequately adjusted, and the total gas load for the residence does not exceed the amount supplied.
- The supply regulator (the regulator that attaches directly to the residence inlet or the propane tank) should supply gas at the suggested input pressure listed above. Contact the local gas supplier if the regulator is at an improper pressure.

### Directions for Connecting a Gas Pressure Test Gauge

The gas control valve (shown to the right) has two test ports for testing input (line pressure) and output (manifold) pressure. Loosen the brass screw on either test port and place a 5/16" i.d. rubber or plastic tube over the tapered test port. Connect the tube to the test gauge.

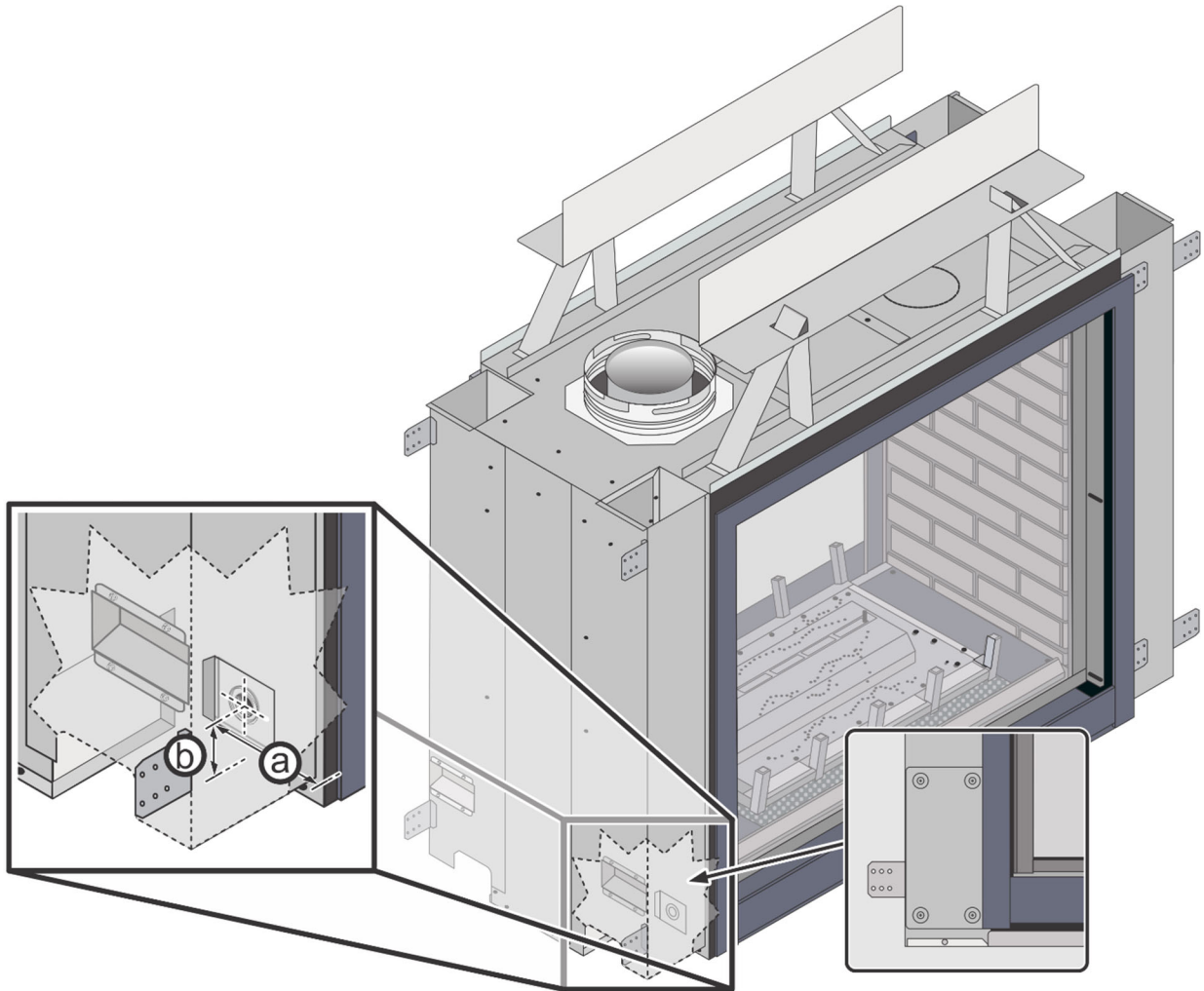
**WARNING:** The brass screw must be tightened after testing to prevent gas leakage.



**Gas Connection**

**NOTE FOR RIGID PIPE:** When using rigid pipe, you may wish to disconnect the shutoff valve from the fireplace and route the pipe through the fireplace wall. First, disconnect the gas line from the shutoff valve (see step 1 below). Then remove the shutoff valve from the cover plate (4 screws outside fireplace). The pipe may be routed through the cover plate and the shutoff valve and gas line may be re-attached inside the fireplace.

- The gas line must be plumbed to the left side. See the illustration and table below to determine the gas line location.
- The fireplace accepts a 1/2" MPT fitting.



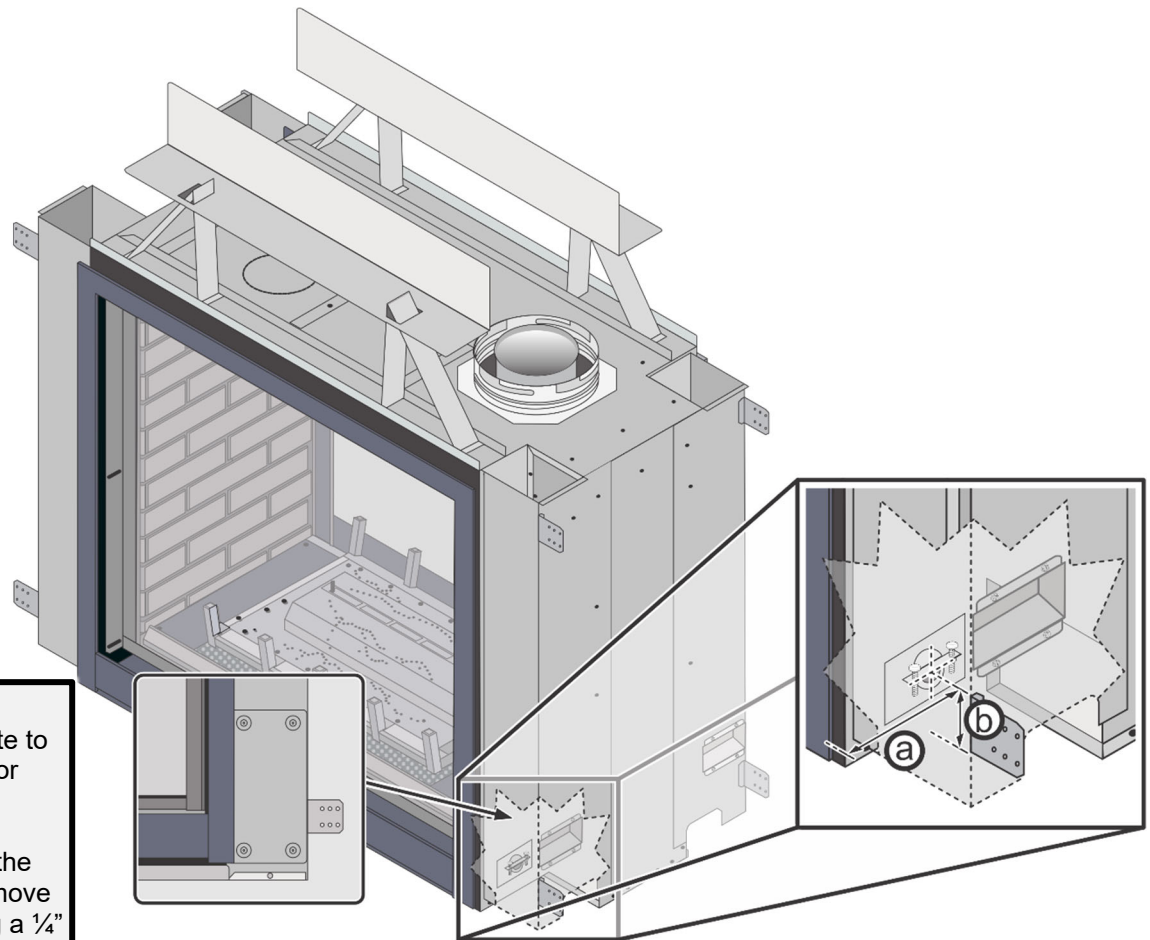
	a	b
<b>Left Side Gas Pass-through Location</b>	<b>3-7/8" (98mm)</b>	<b>1-5/8" (42mm)</b>

**NOTE:** There is a removable plate to allow access for making the gas connection to the fireplace. Remove the plate using a 1/4" nut driver.

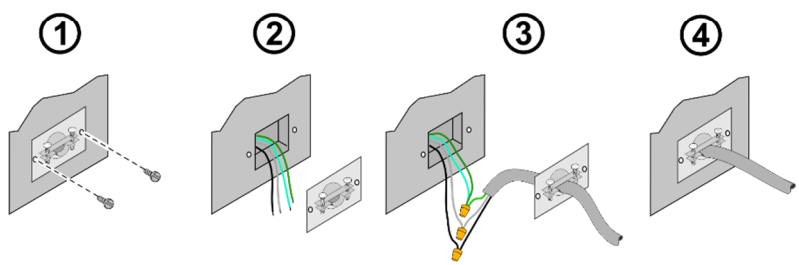
## Electrical Connection (required)

- The electrical line to the grounded receptacle inside the fireplace must be installed by a qualified installer and must meet all local codes.
- Make sure the household breaker is shut off prior to working on any electrical lines.
- The appliance, when installed, must be electrically grounded in accordance with local codes or, in the absence of local codes, with the National Electrical Code, ANSI/NFPA 70, or the Canadian Electrical Code, CSA C22.1.
- The electrical line must be a min. 14 gauge, and supply 120 Volts, 60 Hz (typical max amps: 5).

**CAUTION:** Label all wires prior to disconnection when servicing controls. Wiring errors can cause improper and dangerous operation.



**NOTE:** There is a removable plate to allow access for making the electrical connection to the fireplace. Remove the plate using a 1/4" nut driver.



	a	b
Left Side Electrical Location	4" (102mm)	1-5/8" (42mm)

## Vent Requirements

- The gas appliance and vent system must be vented directly to the outside of the building, and never be attached to a chimney serving a separate solid fuel or gas-burning appliance. Each direct vent gas appliance must use its own separate vent system.
- In addition to the requirements listed here, follow the requirements provided with the vent.

### Drafting Performance

This direct vent appliance requires natural draft to operate (similar to a wood stove or other heating appliance). The draft can be adjusted using the included restrictor. The restrictor settings detailed in the manual should be followed (variations may occur depending on installation parameters).

Many factors may negatively influence the draft of the appliance. Travis Industries will not be responsible for improper draft due to factors such as trees, hills, buildings, obstructions, excessive wind, extreme hot or cold outdoor temperatures, restrictive vent terminations, or influence from mechanical systems.

## Vent Clearances

- The vent must maintain the required clearance to combustible materials to prevent a fire. Do not fill air spaces with insulation.

### Minimum Vent Configurations (see page 28)

Minimum Clearance Above Vent	1" (26mm)
Minimum Clearance to Sides & Below Vent	1" (26mm)

NOTE: Make sure to use the included wall thimble with this configuration.

### All Other Vent Configurations

Minimum Clearance to Vent	1" (26mm)
---------------------------	-----------

## Vent Firestop or Thimble

- A firestop or thimble is required whenever the vent penetrates a wall, floor, or ceiling (passes through framing members). See vent charts on pages 29 and 30 for details

## Altitude Considerations

- This heater complies with CSA 2.17-2017 "Gas-Fired appliances for use at high altitudes". This heater has been tested at altitudes ranging from sea level to 4,800 feet (1370 M). In this testing, we have found that the heater, with its standard orifice, burns correctly with just an air shutter adjustment.
- Failure to adjust the air shutter properly may lead to improper combustion which can create a safety hazard. Consult your dealer or installer if you suspect an improperly adjusted air shutter.

## Approved Termination

- Always use the high-wind cap (part # 46DVA-HC, 58DVA-HC, 46DVA-VCH, or 58DVA-VCH). The **high-wind scone cap is not allowed**.

## Approved Vent

- Installation instructions for DuraVent may be found at [www.duravent.com](http://www.duravent.com).

### Minimum Vent Configurations (see page 28)

Use 8" diameter DuraVent Model Direct-Vent Pro (or GS) \*.

### All Other Vent Configurations

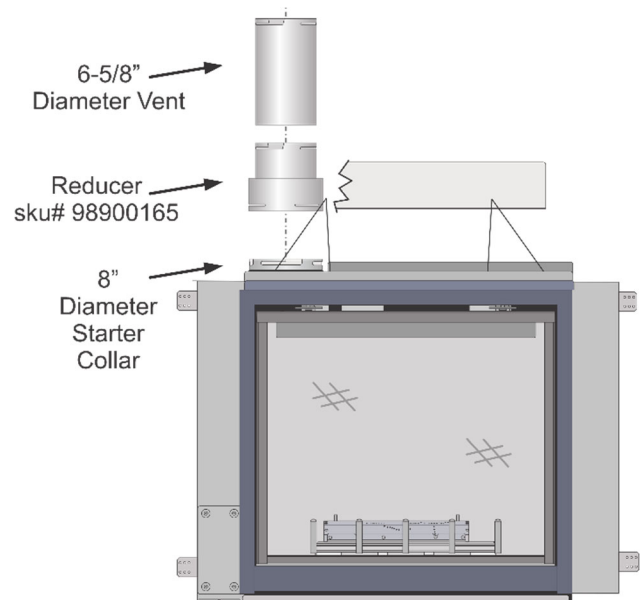
Use 8" or 6-5/8" diameter DuraVent Model Direct-Vent Pro (or GS) \* (see vent configuration for details).

\* Other vent may be approved with this fireplace. Check with the vent manufacturer for details.



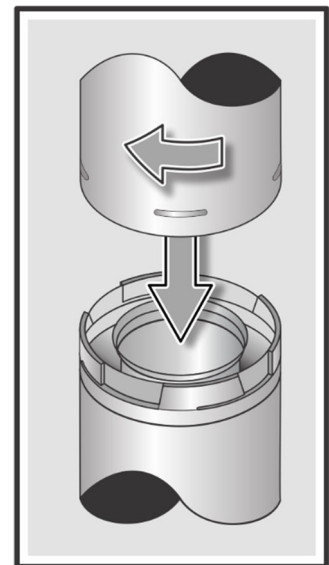
## Approved Vent

- Use 8" (203mm) or 6-5/8" (168mm) diameter DuraVent Direct-Vent Pro (or GS) \*. If using 6-5/8" (168mm) diameter vent, attach the 8" (203mm) to the 6-5/8" (168mm) reducer (Travis part # 98900165) to the 8" starter collar.
- \* Other vent may be approved with this fireplace. Check with the vent manufacturer for details.
- Always use the high-wind cap (46DVA-HC, 58DVA-HC, 46DVA-VCH, 58DVA-VCH).
- The high-wind scone cap, part # 58DVA-HSCH or 46DVA-HSCH) **cannot be used** with this fireplace.
- Installation instructions for DuraVent may be found at [www.duravent.com](http://www.duravent.com)



## Vent Installation

- Slide the vent sections together and turn 1/4 turn until the sections lock in place.
- Screws are not required to secure the vent. However, three screws may be used to secure vent sections together if desired.
- High-temperature sealant is recommended at the appliance starter section connection (use high-temperature silicone or Mill-Pac®).
- If disassembly is required, at the time of re-assembly check to see if the vent creates a tight fit. If it does not, apply high-temperature sealant to the joints of the affected sections.
- Horizontal sections require a 1/4" (6mm) rise every 12" (305mm) of travel
- Horizontal sections require non-combustible support every three feet (e.g.: plumbing tape).
- Vent termination must not be located where it can become plugged by snow or other material.
- Use the vinyl siding standoff when installing on a structure with vinyl siding.
- Venting termination shall not be recessed into a wall or siding.



## Approved Vent Configurations

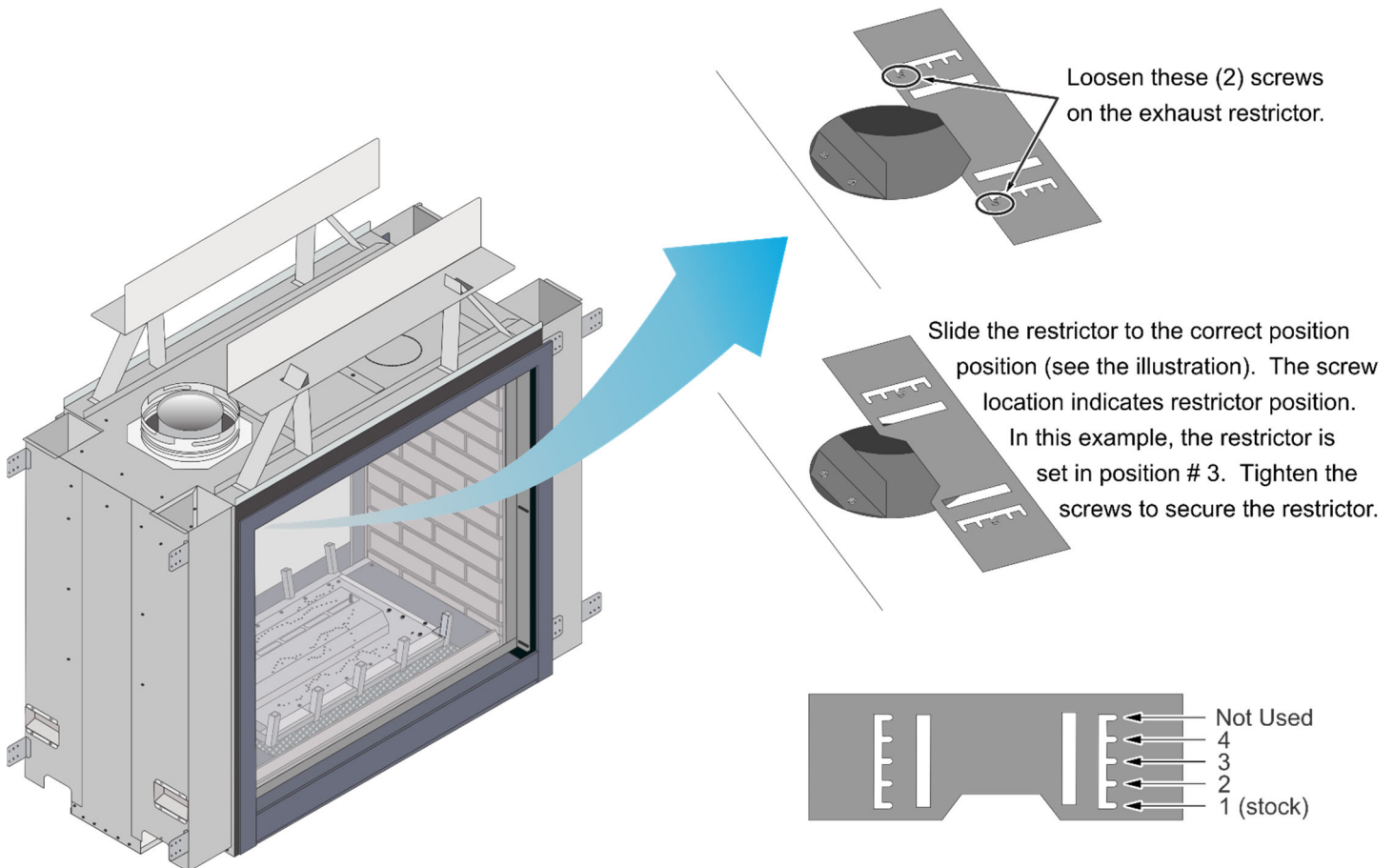
### Restrictor Position

- This appliance is equipped with an exhaust restrictor which is used to adjust the flow rate of intake air and exhaust gases. Depending upon the vent configuration, you may be required to adjust the restrictor position. Refer to the charts on the following pages for acceptable vent configuration details and the corresponding restrictor positions.

### Exhaust Restrictor Adjustment

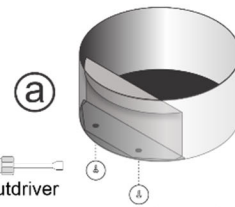
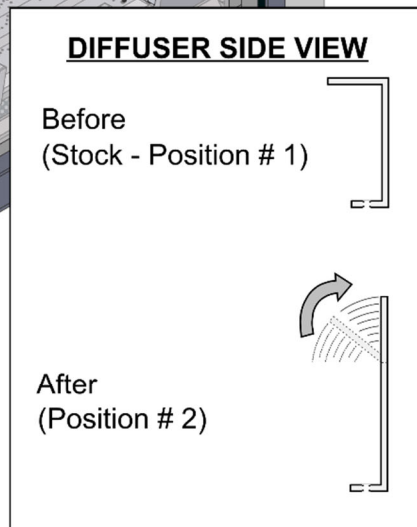
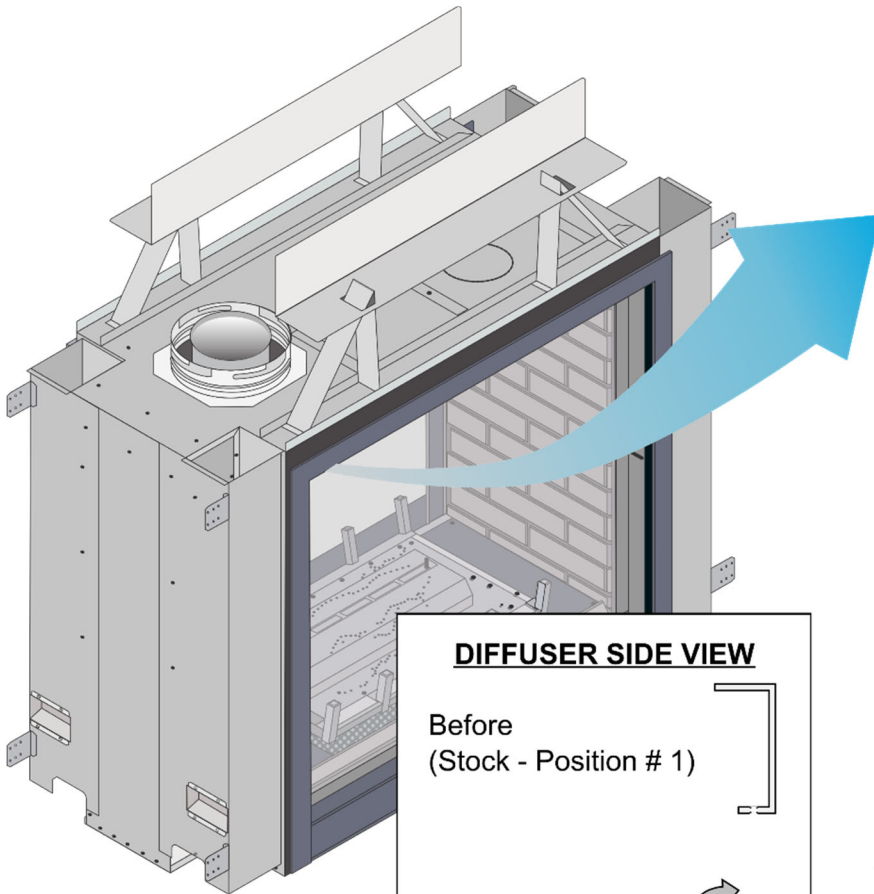


If the diffuser is required to be in position # 2, you may wish to adjust the diffuser while the exhaust restrictor is in position #1 (stock).

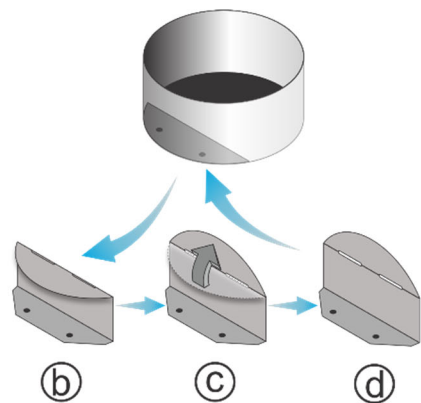


## Diffuser Plate Adjustment

Certain vent configurations require the diffuser plate to be adjusted (refer to the approved vent configuration charts for details). See the directions below to change the diffuser position.



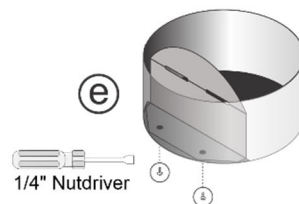
Reach up inside of the firebox and remove the (2) screws that secure the diffuser to the inside of the flue. Set the screws aside for reinstallation.



Remove the diffuser from the flue.

Gently bend rounded portion of the diffuser 90°.

Place the diffuser back in place inside the flue.

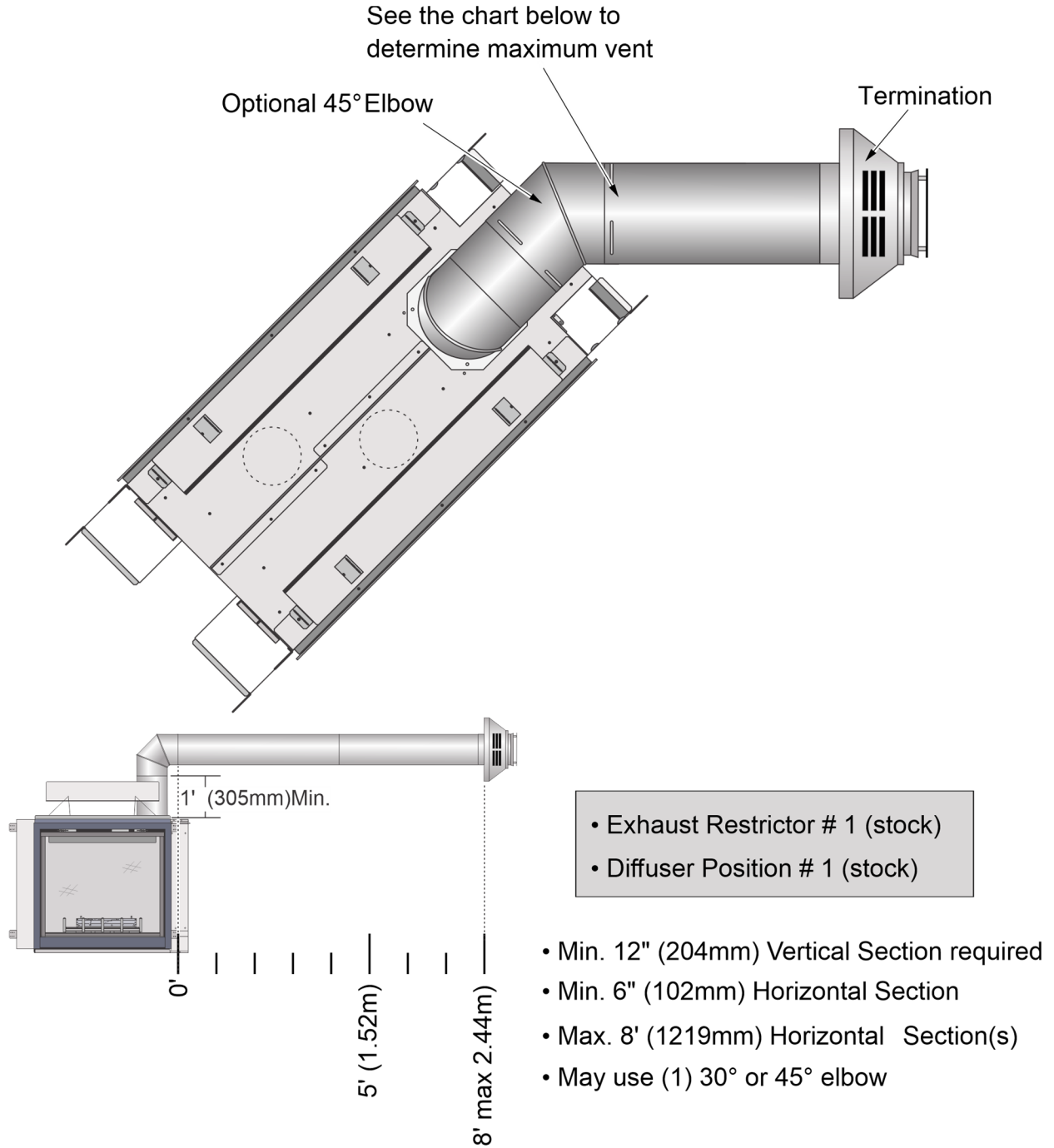


Use the (2) screws removed earlier to secure the diffuser.

**Side Vent Configuration with Horizontal Termination (no vertical rise)**

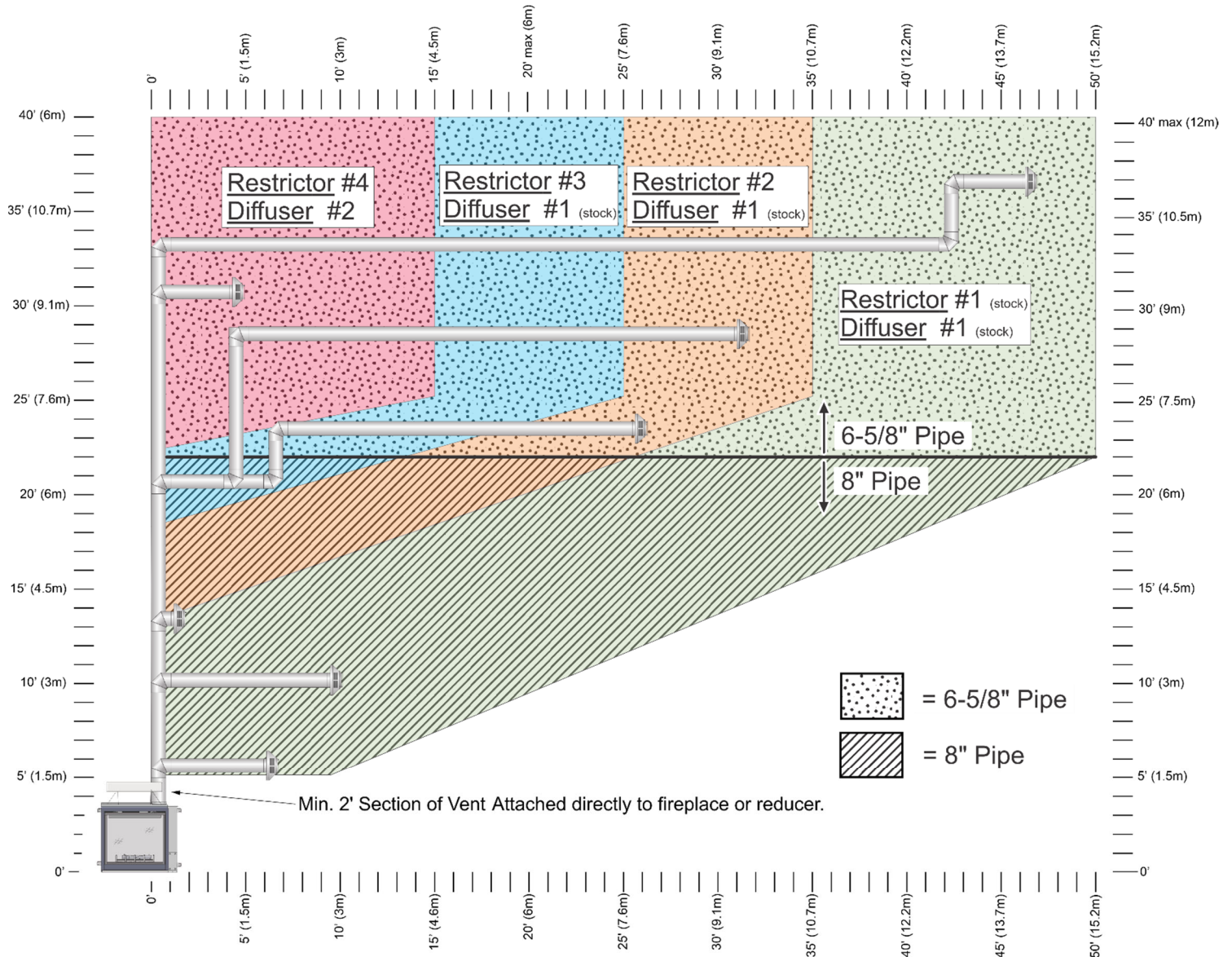
- The termination must fall within the shaded area shown in the chart. Use the indicated restrictor and diffuser positions.

HINT: Travis Industries provides a minimum vent kit "H" (sku# 96200332). It includes a 90° Elbow, 3.9" (99mm) Section, 12" Section (305mm), (2) 6" Sections (153mm), and a High Wind Horizontal Cap. Additional venting may be needed.

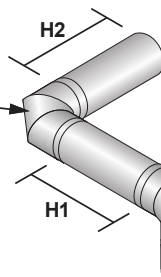


## Vent Configuration: Horizontal Termination

- The termination must fall within the shaded area shown in the chart. Use the indicated restrictor and diffuser positions.
- 2' vertical section required before first elbow.
- Up to four elbows (30°, 45°, 60°, or 90°) may be used.
- May use 8" (203mm) or 6-5/8" (168mm) diameter vent (see page for 24 details).
- Only one horizontal elbow may be used.



This is considered a horizontal elbow (it doesn't matter whether it turns right or left). It may be a 30°, 45°, 60°, or 90° elbow.

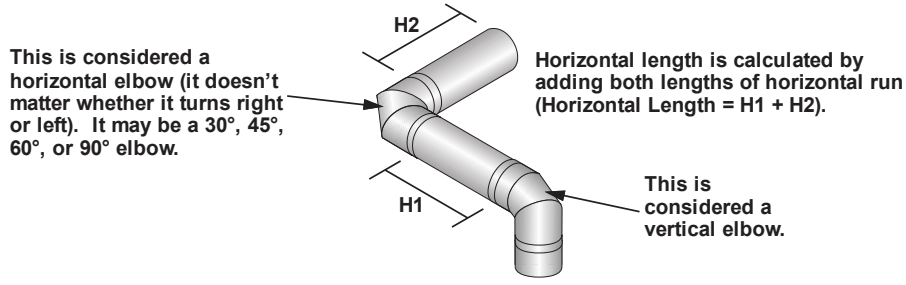
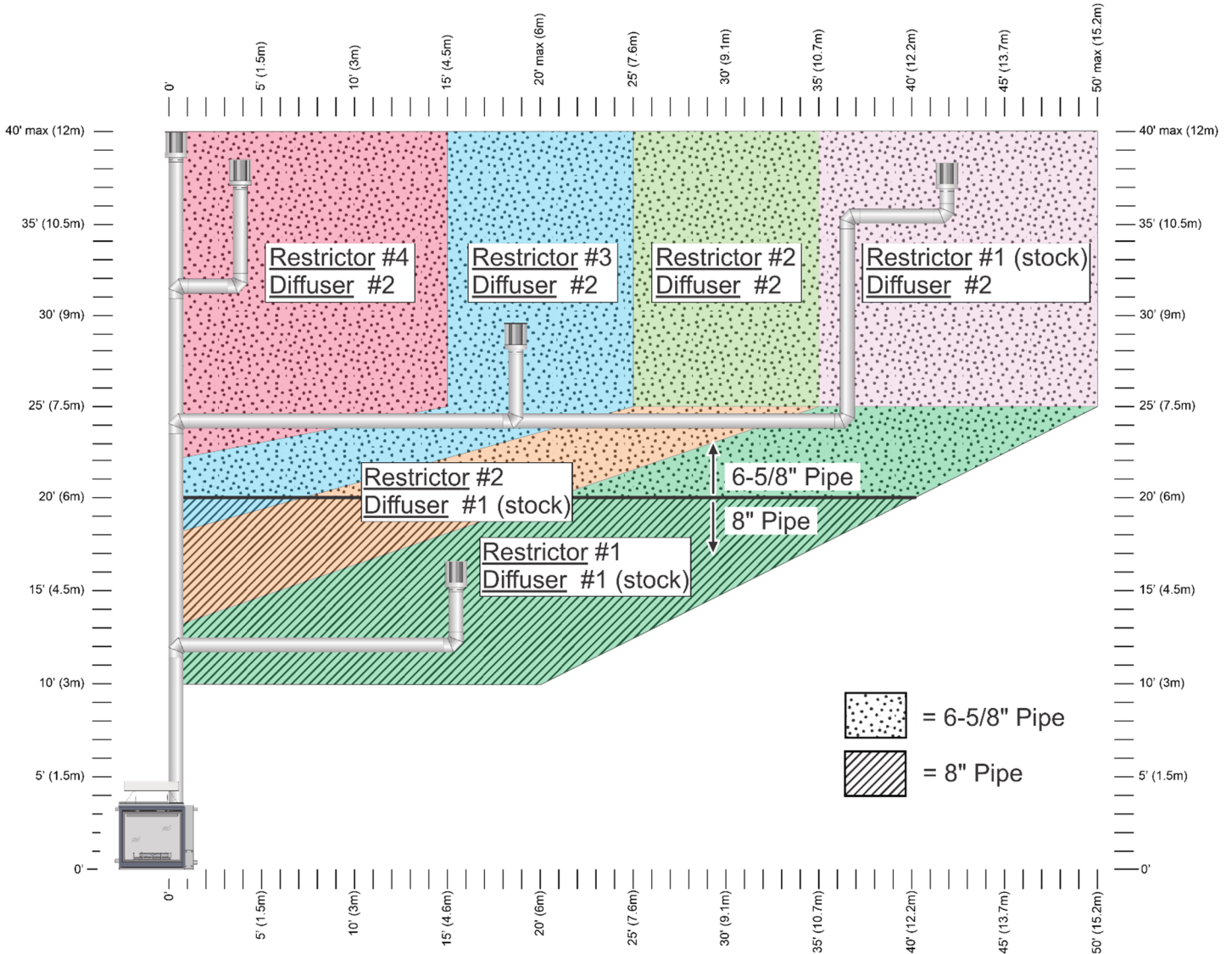


Horizontal length is calculated by adding both lengths of horizontal run (Horizontal Length = H1 + H2).

This is considered a vertical elbow.

Vent Configuration: Vertical Termination

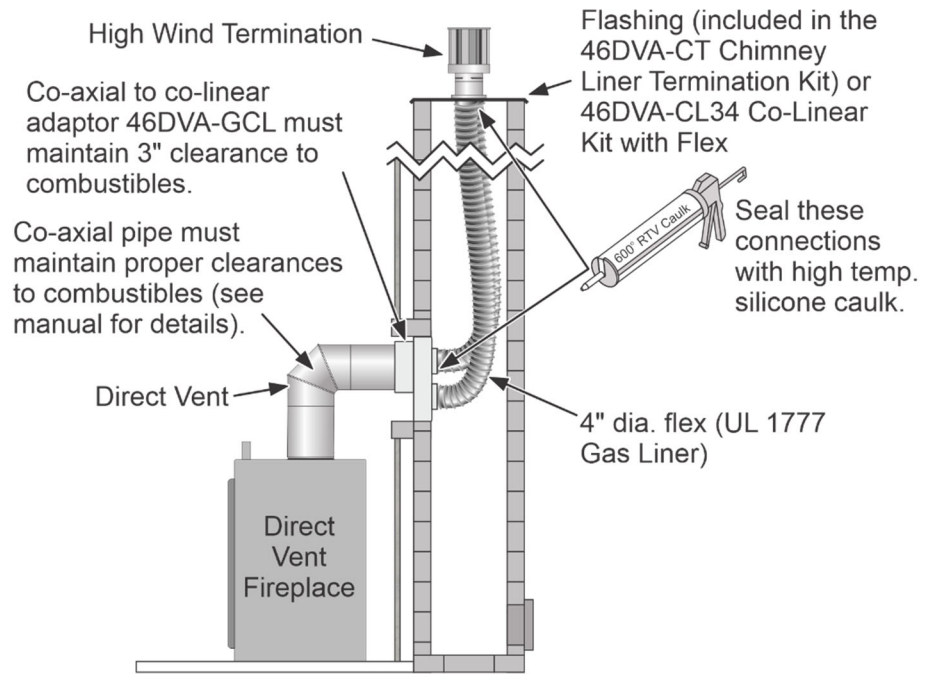
- The termination must fall within the shaded area shown in the chart. Use the indicated restrictor and diffuser positions.
- Up to four elbows (30°, 45°, 60°, or 90°) may be used.
- Only one horizontal elbow may be used.
- May use 8" (203mm) or 6-5/8" (168mm) diameter vent (see page for 24 details).



## Masonry Chimney Conversions

This appliance may utilize 6-5/8" diameter direct vent manufactured by DuraVent (a reducer may be required). The vent may be adapted to utilize an existing masonry fireplace using the DuraVent Co-Linear Adapter (46DVA-GCL or 46DVA-CL34). The vent must be installed following all directions included with the vent and those listed below:

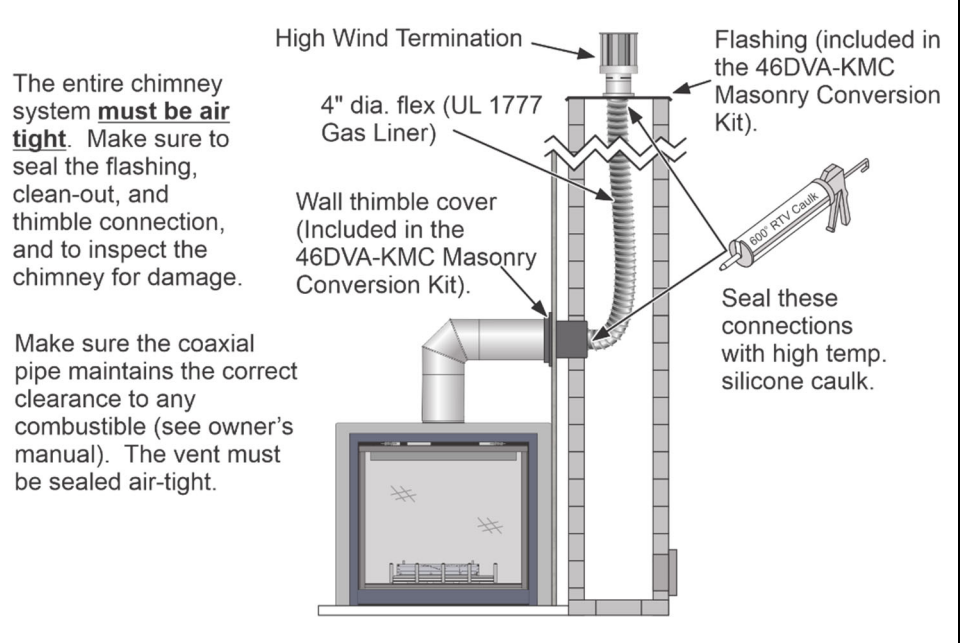
- All requirements in the appliance manual must be met. This includes compliance with vent configuration charts.
- The restrictor position should be set to the position that most closely resembles the vent configuration. **NOTE:** Because this installation utilizes a non-standard vent, the restrictor position may vary. Carefully monitor the burn characteristics to verify the correct restrictor position.
- The UL gas liner must only be run through the fireplace/chimney (the entire length of the liner must be retained within the fireplace/chimney). Do not run the liner near combustibles.



This appliance may utilize 6-5/8" diameter direct vent manufactured by DuraVent (a reducer may be required). The vent may be adapted to utilize an existing masonry fireplace using the DuraVent Masonry Chimney Conversion Kit (part # 46DVA-KMC). The vent must be installed following all directions included with the vent and those listed below:

**NOTE:** Before proceeding with the following installation example, check with the local building jurisdiction to verify that this type of installation is allowed in your area.

- All requirements in the appliance manual must be met. This includes compliance with vent configuration charts.
- The restrictor position should be set to the position that most closely resembles the vent configuration. **NOTE:** Because this installation utilizes a non-standard vent, the restrictor position may vary. Carefully monitor the burn characteristics to verify the correct restrictor position.
- The UL gas liner must only be run through the fireplace/chimney (the entire length of the liner must be retained within the fireplace/chimney). Do not run the liner near combustibles.



## Class A Chimney Conversion

DuraVent provides a conversion kit for those wishing to use an existing class A chimney to vent this direct fireplace. The illustration below gives an overview of this type of installation. See the instructions included with the kit for details.

- All requirements in the appliance manual must be met. This includes compliance with vent configuration charts. Remember to set the restrictor position to the correct position (based on the vertical rise height - see the vent charts in the appliance manual).
- These conversion kits do not work on interior masonry chimneys.
- The measurements below refer to the Chimney Inside Diameter

### **Chimney Conversion Kit A (46DVA-KCA)**

6" DuraTech  
6" Security Chimney  
6" Metalbestos  
6" Jackes-Evans  
6" Hart & Cooley  
6" Pro-Jet

### **Chimney Conversion Kit B (46DVA-KCB)**

6" DuraPlus  
7"-8" DuraTech  
8" Security Chimneys  
7"-8" Metalbestos  
7"-8" Jackes-Evans  
7"-8" Hart & Cooley  
7"-8" Pro-Jet  
6"-7" Amer. Metals  
6"-7" Metal-Fab  
6" Air-Jet

### **Chimney Conversion Kit C (46DVA-KCC)**

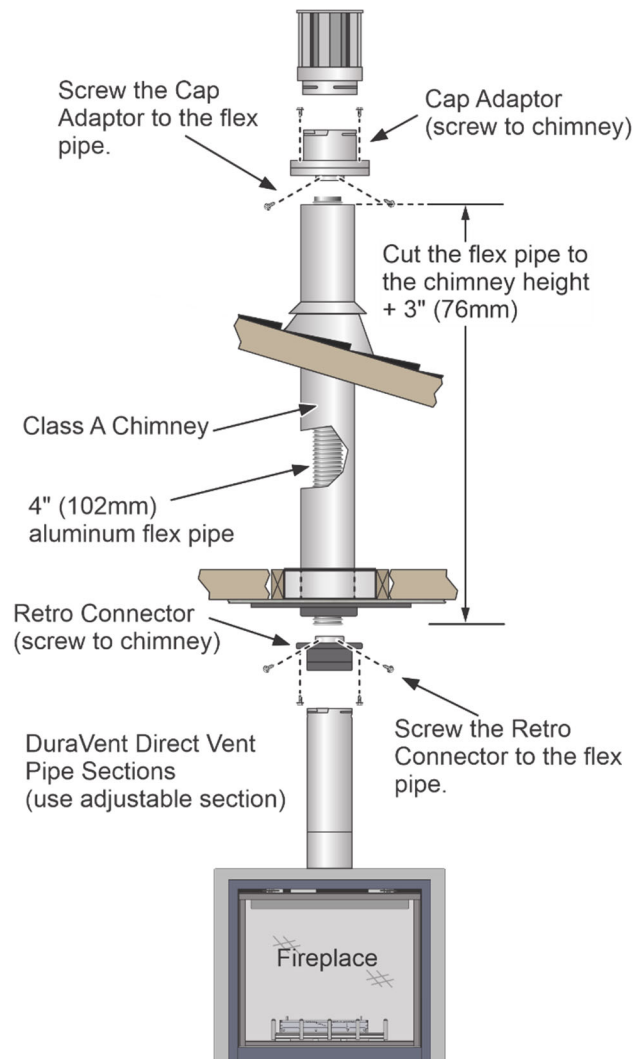
7"-8" DuraPlus  
8" American Metals  
8" Air-Jet  
8" Metal-Fab

### **Each Kit Contains:**

Cap Adapter  
Retro Connector

### **Additional Required Equipment:**

4" Flex (#711 or U.L. 1777)  
Termination (46DVA-VCH)  
Co-Axial Sections

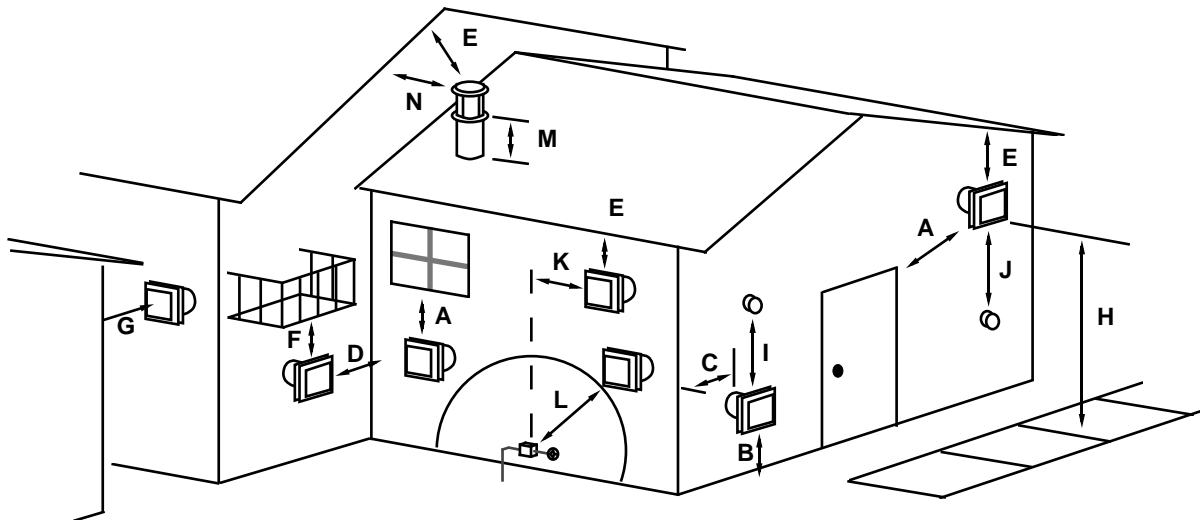
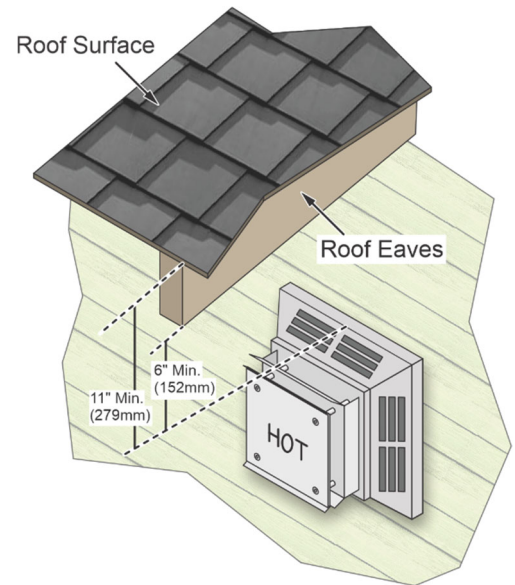




## Termination Requirements

**! Venting terminals shall not be recessed into a wall or siding.**

- A Minimum 9" (229mm) clearance from any door or window
- B Minimum 12" (305mm) above any grade, veranda, porch, deck, or balcony
- C Minimum 1" (26mm) from outside corner walls  
**NOTE:** Clearance in accordance with local installation codes and the requirements of the gas supplier.
- D Minimum 1" (25mm) from inside corner walls  
**NOTE:** Clearance in accordance with local installation codes and the requirements of the gas supplier.
- E Minimum 11" (279mm) clearance below unventilated soffits or roof surfaces  
Minimum 18" (457mm) clearance below ventilated soffits  
Minimum 6" (152mm) clearance below roof eaves  
**NOTE:** Vinyl surfaces require 24" (610mm)  
**NOTE:** Clearance in accordance with local installation codes and the requirements of the gas supplier.
- F Minimum 12" (305mm) clearance below a veranda, porch, deck, or balcony  
**NOTE:** Permitted only if the veranda, porch, deck, or balcony is fully open on a minimum of two sides beneath the floor.  
**NOTE:** Clearance in accordance with local installation codes and the requirements of the gas supplier.
- G Minimum 48" (1219mm) clearance from any adjacent building
- H Minimum 84" (2134mm) clearance above any grade when adjacent to public walkways or driveways  
**NOTE:** may not be used over a walkway or driveway shared by an adjacent building
- I Minimum 9" (229mm) clearance to any non-mechanical air supply inlet to the building or the combustion air inlet to any other appliance.
- J Minimum 36" (914mm) clearance above any mechanical air supply inlet if within 10' (3M) horizontally
- K Minimum 36" (914mm) from the area above the meter/regulator (vent outlet) - this extends 15' (4.5M) above the regulator  
**NOTE:** Clearance in accordance with local installation codes and the requirements of the gas supplier.
- L Minimum 36" (914mm) from the meter/regulator (vent outlet)  
**NOTE:** Clearance in accordance with local installation codes and the requirements of the gas supplier.
- M Minimum 12" (305mm) above the roofline (for vertical terminations)
- N Minimum 24" (610mm) horizontal clearance to any surface (such as an exterior wall) – for vertical terminations

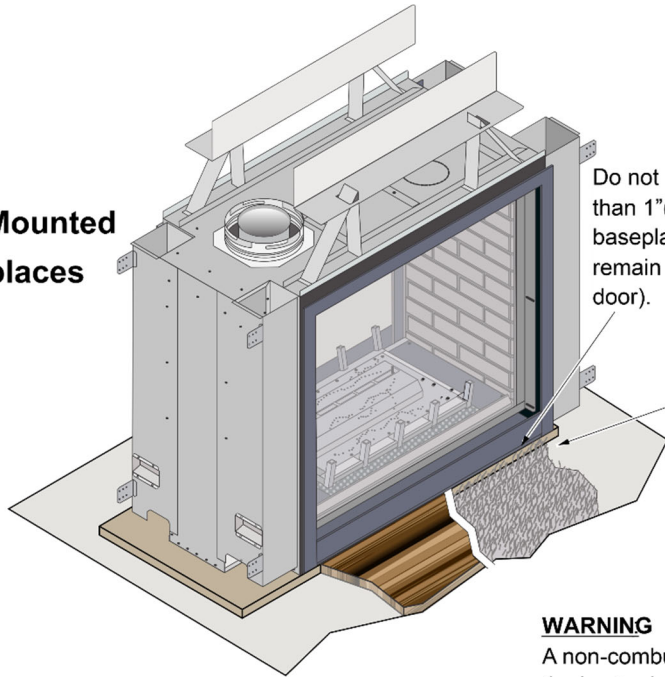


**NOTE: Measure clearances to the nearest edge of the exhaust hood.**

- Use the vinyl siding standoff when installing on an exterior with vinyl siding.
- Vent termination must not be located where it will become plugged by snow or other material

Hearth Requirements

Floor Mounted Fireplaces



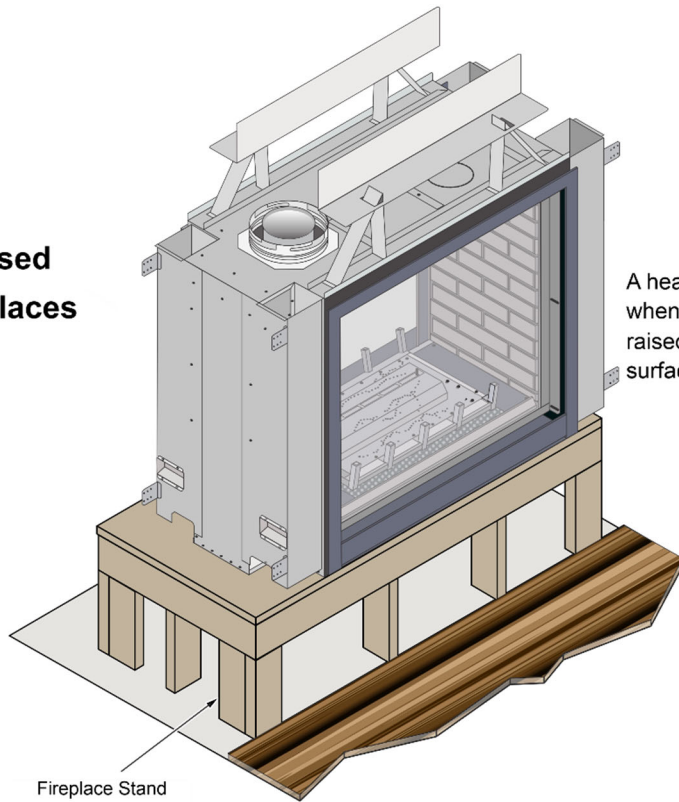
Do not build a hearth more than 1"(25mm) above the baseplate (this area must remain clear for the access door).

Installation of carpet in contact with the fireplace is not recommended. However, if installed in that manner, the carpet pile cannot contact any portion of the fireplace higher than 1" above the base of the fireplace.

**WARNING**

A non-combustible hearth is not required. However, if the heater is installed next to the floor, we recommend a hearth to protect the flooring surface from discoloration or other negative impact from the heater.

Raised Fireplaces



Fireplace Stand

A hearth is not required when the fireplace is raised above the flooring surface.

## Vinyl Flooring Hearth Recommendations

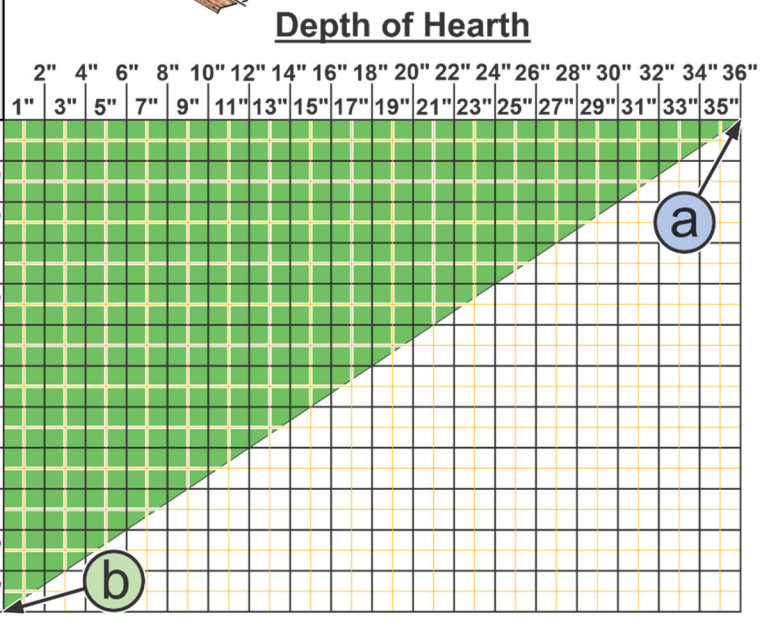
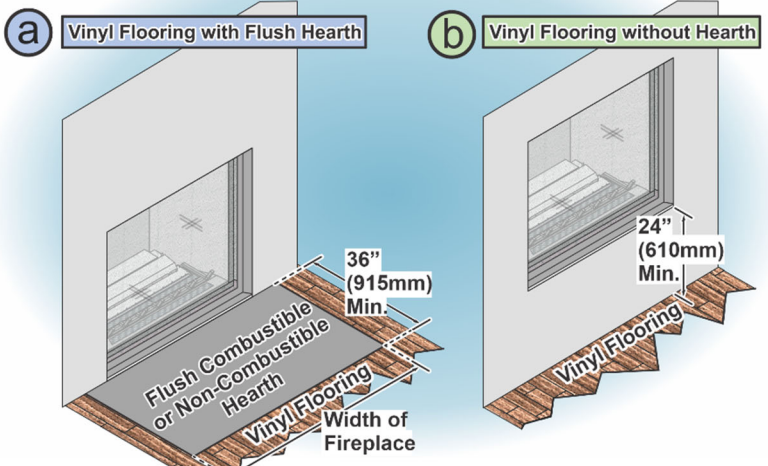
Vinyl flooring such as Luxury Vinyl Plank (LVP), Luxury Vinyl Tile (LVT), and other vinyl flooring can be sensitive to radiant heat and changes in temperature. If using vinyl flooring, we recommend installing the fireplace following the guidelines below. If these recommendations are not followed, the heat from the fireplace may cause discoloration, warping or other negative impacts.

**NOTE:** If using one of the hearth options, make sure to maintain the gap recommended by the manufacturer between the flooring and the hearth. Seal the gap with a flexible caulk to allow for expansion and contraction of the flooring.

**a** Install the fireplace at floor level with a 36" (915mm) deep flush hearth (either combustible or noncombustible). The minimum width of the hearth is equal to the width of the outer zero-clearance box of the fireplace.

**b** Elevate the fireplace 24" (610mm) above the vinyl floor and no hearth is required. The vinyl flooring can be installed up to the wall.

**c** Determine the height that the fireplace will sit above the finished floor and use the chart to the right to determine the minimum recommended hearth depth.



**Imperial to Metric Conversion Chart**

Inch	1"	2"	3"	4"	5"	6"	7"	8"	9"	10"	11"	12"	13"	14"	15"	16"	17"	18"
mm	25	51	77	102	127	153	178	204	229	254	280	305	331	356	381	407	432	458
Inch	19"	20"	21"	22"	23"	24"	25"	26"	27"	28"	29"	30"	31"	32"	33"	34"	35"	36"
mm	483	508	534	559	585	610	635	661	686	712	737	762	788	813	839	864	889	915

### Facing Requirements

- Non-combustible facing must extend from 1" above the base of the fireplace to the framing header (see illustration below for details).
- Non-combustible facing must extend the entire width of the unit to the framing opening on both sides (see illustration below for details).
- Do not place facing over the glass opening.

**WARNING:** Do not place drywall or other combustibles over the front of the fireplace.



**WARNING:** Do not use adhesive to secure the facing. The high temperatures of the fireplace may cause adhesives to emit odors. Use mastic or thin-set (or other non-combustible, non-odorous adherent) to attach the facing.

**NOTE:** Screws may be used to secure cement board or tile backer to the fireplace. Do not penetrate the fireplace more than 1/2" (13mm).

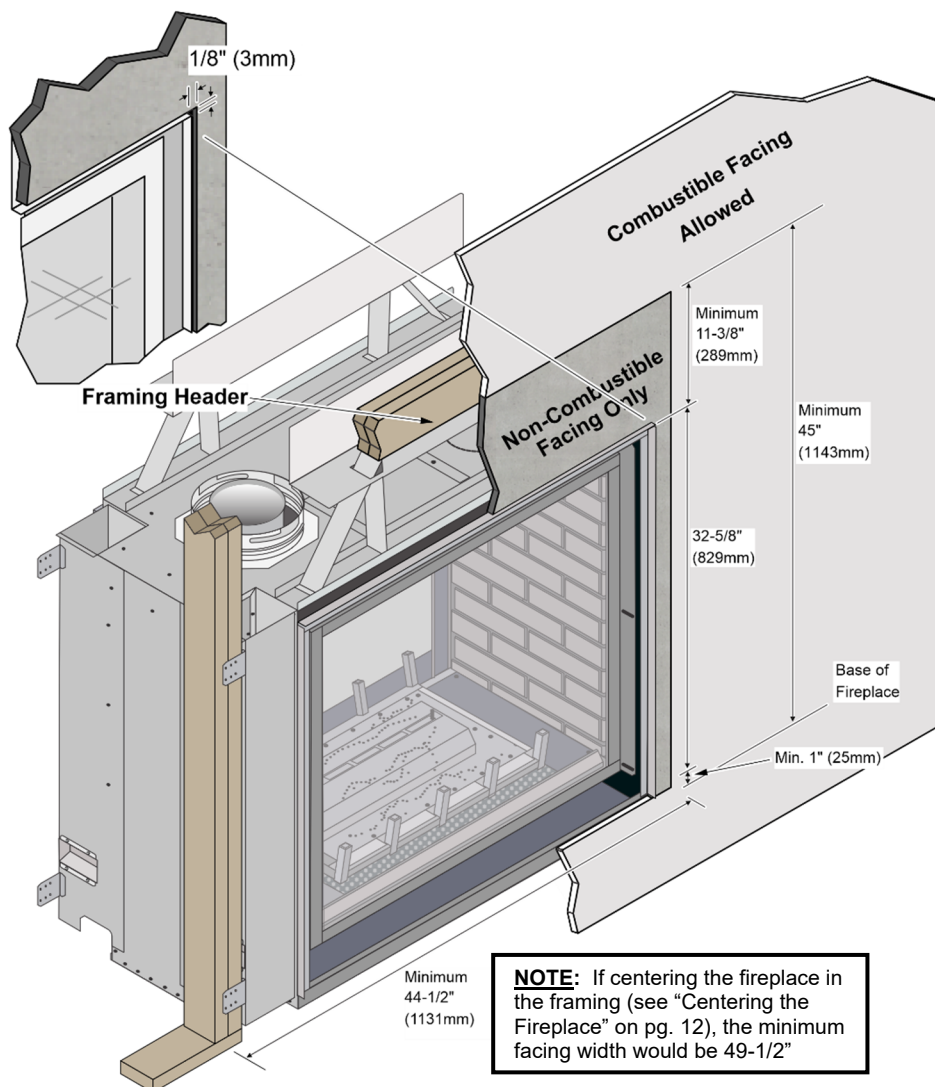


**ACID WASH WARNING:** Make sure any masonry that has been treated with acid wash has been properly neutralized (this is used primarily with brick faces). Acid wash (muriatic acid) is used to remove excess mortar.



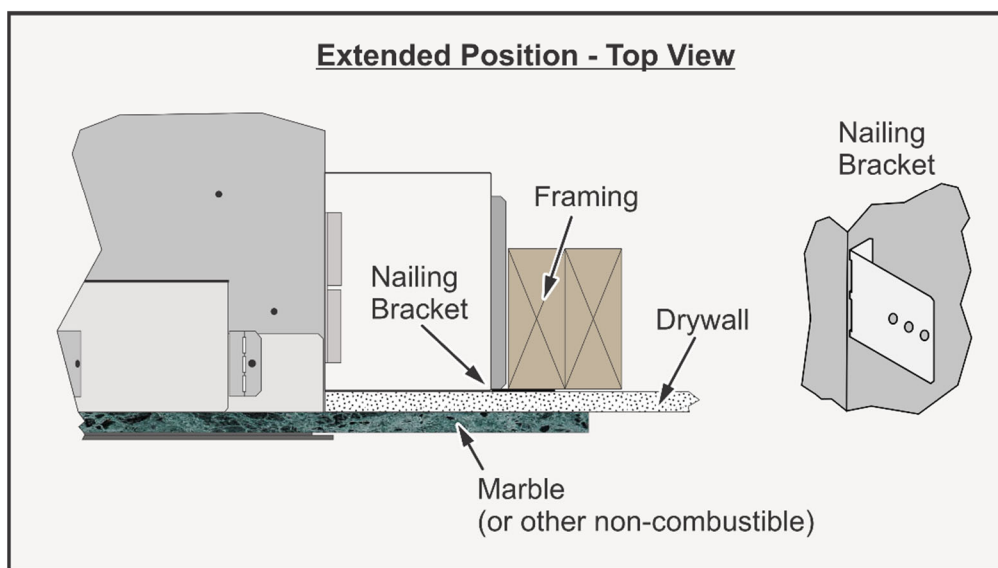
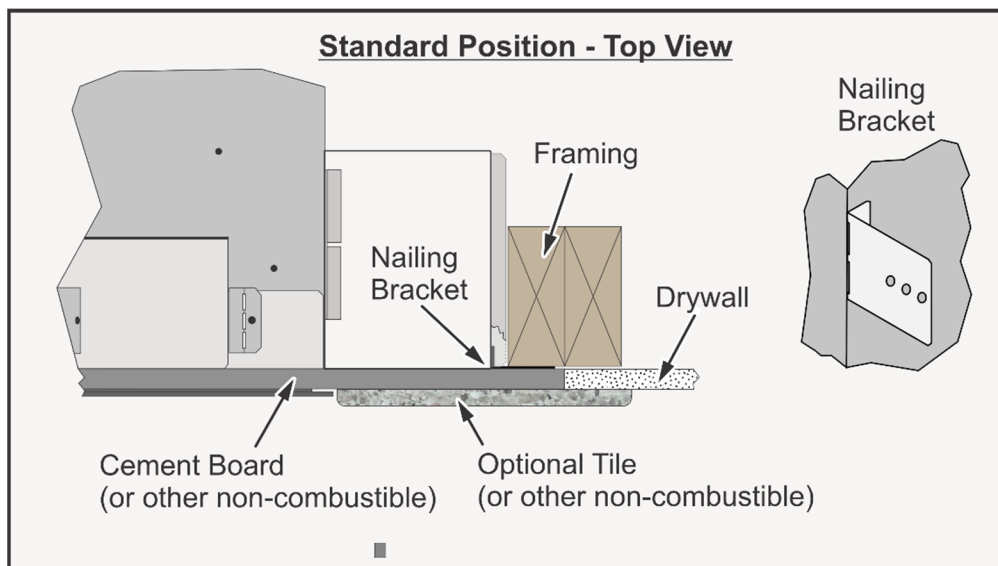
#### 1/8" (3mm) Gap

Make sure non-combustible board is cut and positioned so it maintains a 1/8" (3mm) gap from the tile stop. This allows the fireplace structure to expand without cracking the facing (see dimensions below).



## Standard vs. Extended Position

- The nailing brackets on the side of the fireplace may be placed in the standard or extended position to best suit the facing being used (the header shield is also moved). Most installations use the standard nailing bracket position. If using a facing that does not use a backing board (e.g., marble), you may wish to use the extended position.



## Thick Facing Guide

The thick facing guide is shipped pre-attached to the fireplace.

- **Thick Facing** - If using thick facing, leave the guide in place (see “Thick Facing” on the following page).

- **Thin Facing** - If using thin facing, you may remove the thick facing guide following the directions below (see “Thin Facing” for details). NOTE: You may leave the thick facing guide in place – it will appear as a black border around the screen assembly.

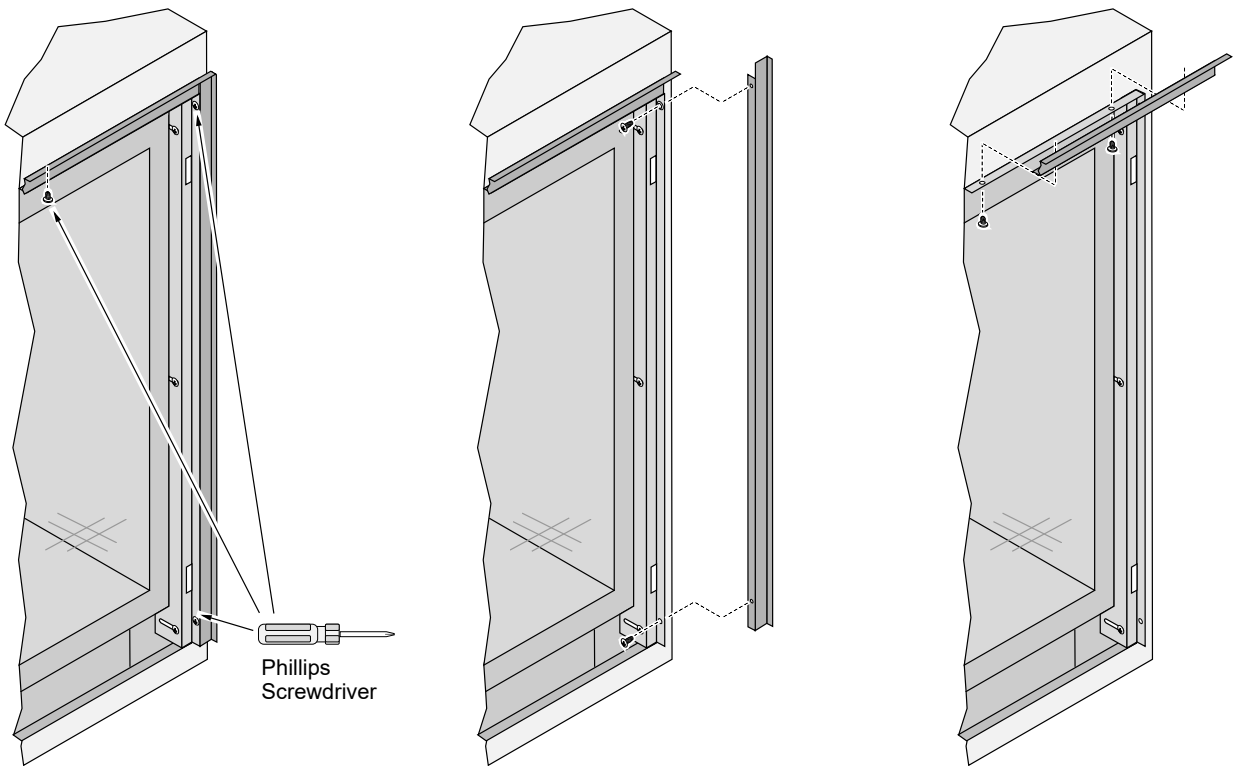
### Removing the Thick Facing Guide

The thick facing guide consists of (4) sheet-metal strips behind the screen assembly. Remove the screen assembly to access the guide. Unscrew the screws holding the pieces in place (see illustration below).

**NOTE:** The top piece is different than the bottom and has the letter “T” cut into it.

Thick Facing Guide  
Side Pieces

Thick Facing Guide  
Top Piece



The thick facing guide may be removed after the facing is installed.

## Thick Facing (Facing Thicker than 1-1/2")



If using thick facing, make sure to leave the thick facing guide in place.

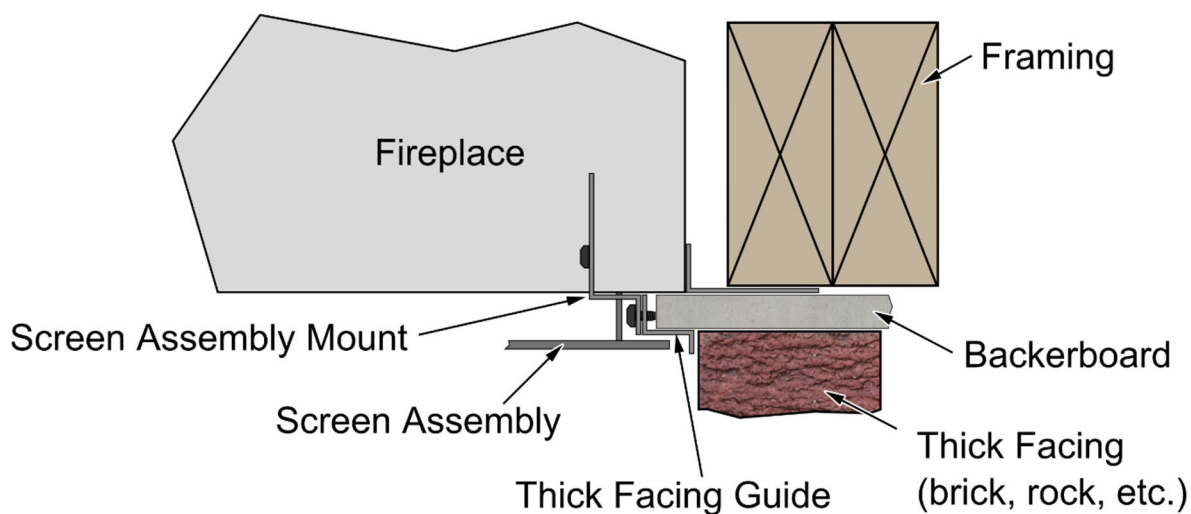


Make sure to leave the screen assembly in the stock (fully in) position.

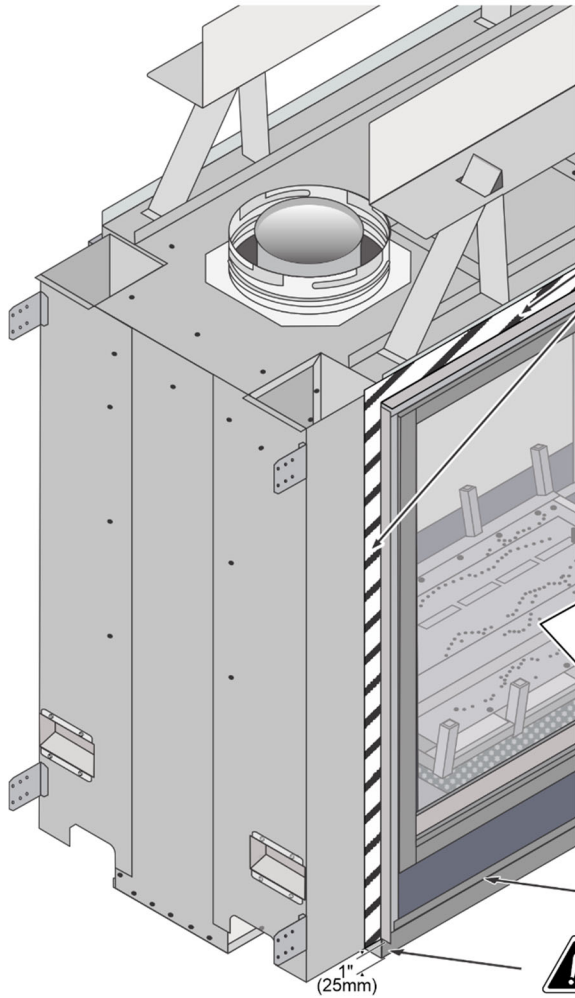


You may leave the screen assembly in place while installing thick facing. You may wish to protect it with plastic (or other suitable material) to repel debris.

When using thick facing, make sure to install the facing above, below, and to the sides of the thick facing guide. Do not allow any facing material to overlap the thick facing guide (this would prevent the removal of the screen assembly).

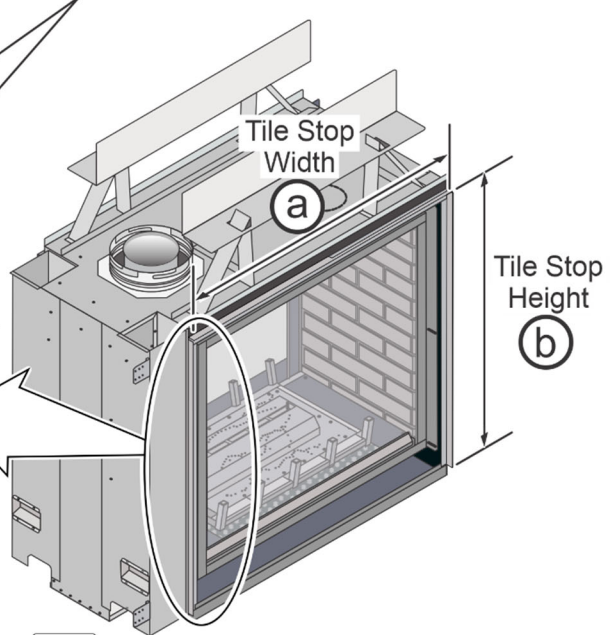


THICK FACING GUIDE SIZE



**THICK FACING GUIDE LOCATION**

Extends 11/16" (18mm) above the tile stop  
 Extends 5/8" (16mm) to the sides of the tile stop



If using the lower screen frame extension, attach the lower thick facing guide here (it extends to the base of the fireplace)



DO NOT BRING THICK FACING ABOVE THE BOTTOM EDGE OF THE TILE STOP / SIDE THICK FACING GUIDES (1" ABOVE BASE OF FIREPLACE)

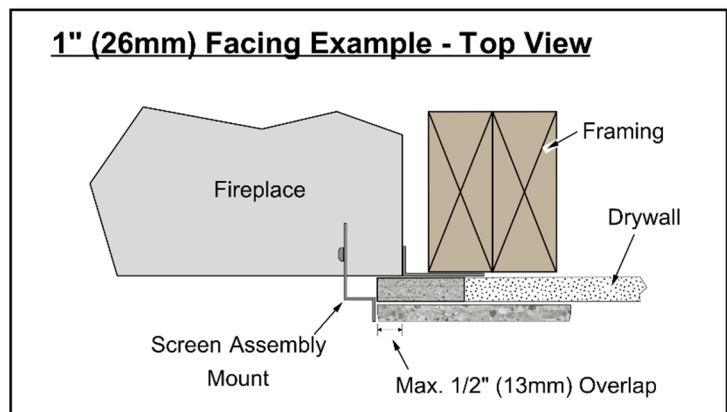
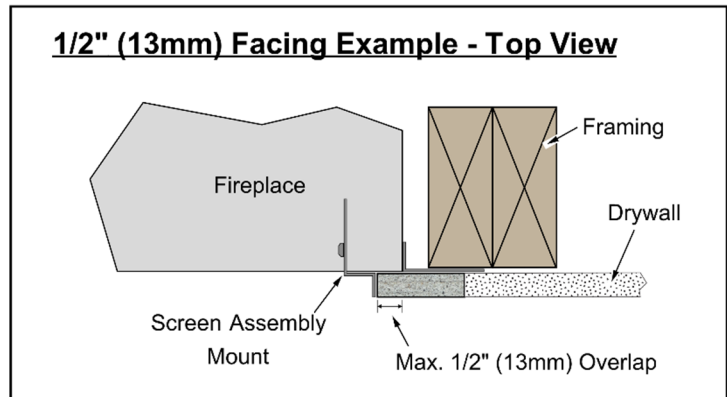
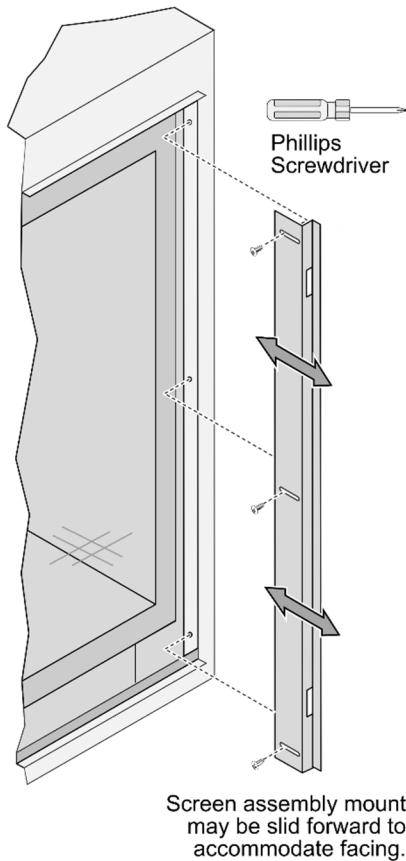
1"  
(25mm)

	Tile Stop Width (a)	Tile Stop Height (b)
<b>PB36CF ST</b>	35-1/8" (893mm)	32-5/8" (829mm)



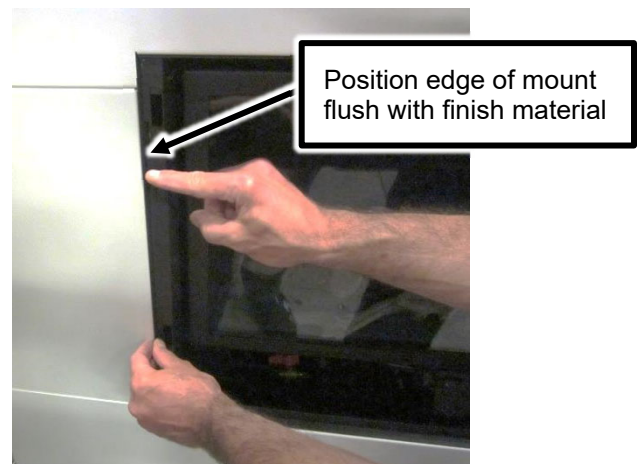
## Thin Facing (1/2" to 1-1/2")

When using thin facing you may remove the thick facing guide and tuck the facing underneath the screen assembly. The screen assembly mounts may be adjusted to position the screen assembly directly against the facing (see "Screen Assembly Mounts" below). To further illustrate this, note how the screen assembly mount is moved forward in the 1" facing example below).



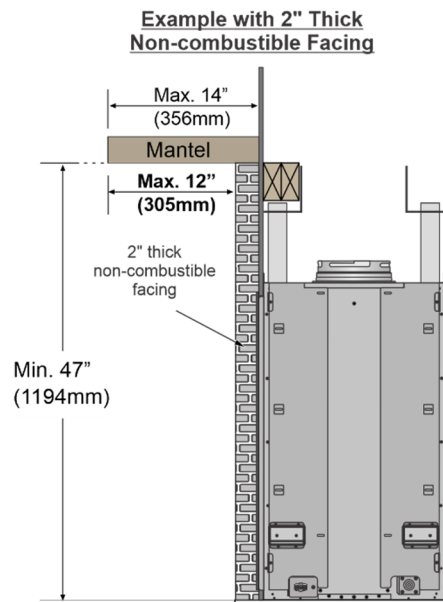
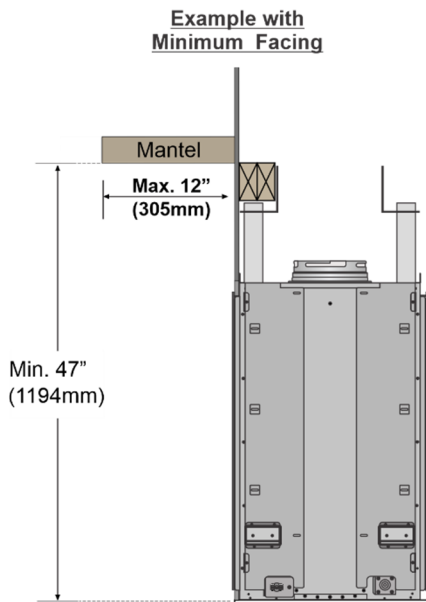
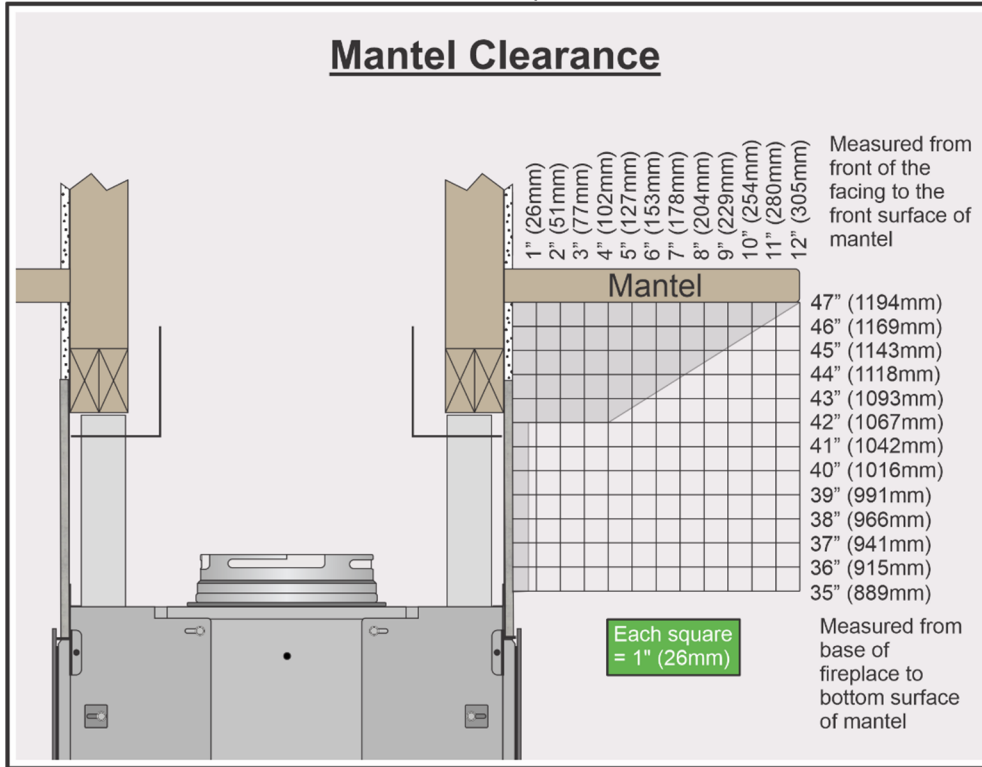
## Screen Assembly Mounts

The screen assembly mounts (located on the outer front edges of the fireplace) are adjustable to allow the screen assembly to be positioned 1/2" (12mm) to 1-1/2" (38mm) from the front of the fireplace. This allows the facing to tuck under the screen assembly. Each mount is held in place by (3) Philips head screws. Before mounting the screen assembly, adjust the mounts so that the front edge is flush with the finish material surrounding the fireplace. To adjust the mounts, loosen the screws, slide the mounts to the desired position, and then tighten the screws.



**Mantel Requirements**

- Use the table below to determine the maximum mantel depth allowed. The mantel depth (measured from the non-combustible facing) must fall within the shaded portion of the table.
- Any material above the fireplace that protrudes more than 3/4" (19mm) from the non-combustible facing is considered a mantel and must meet the mantel requirements.



**Mantel Column Clearances**

- Combustible mantel columns (legs) require a 0" (0mm) clearance to the side of the fireplace (they must be to the side of the fireplace).
- Non-combustible mantel columns do not have a minimum clearance.

## Use of a Non-Combustible Mantel Below Listed Mantel Clearances

Each gas fireplace has a unique set of mantel requirements. If you wish to place a non-combustible mantel at a lesser height than specified in this manual, it will need to meet the following requirements:

- The header (the framing member above the fireplace opening) must be non-combustible.
- The facing must be non-combustible and extend to the header (or mantel, whichever is greater). The facing must also span the entire width of the mantel.
- See the illustration below for additional requirements.

### SIDE VIEW

#### Facing from the Header Up

May be combustible (drywall) or non-combustible

**Non-Combustible Framing** (metal studs) must be used for the header.

#### **Non-Combustible Facing and Non-Combustible Backing Material**

(tile, mantel, cement board, etc.) must be used for the header (or top of mantel - whichever is higher).

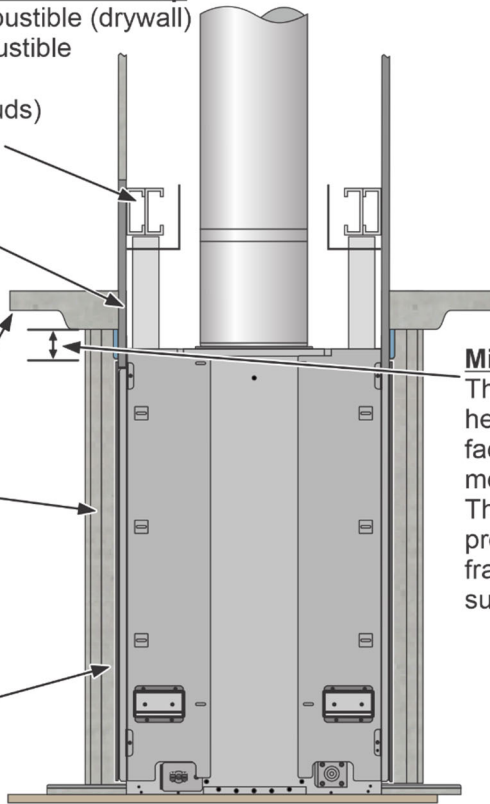
#### **Non-Combustible Mantel and Mantel Legs**

(no minimum depth) - No combustible materials allowed behind the mantel.

**Fireplace Face**

#### **Minimum Mantel Height**

The minimum mantel height is determined by the face and face attachment method (no minimum). The mantel must be properly secured to the framing or use other suitable method.



### TOP VIEW

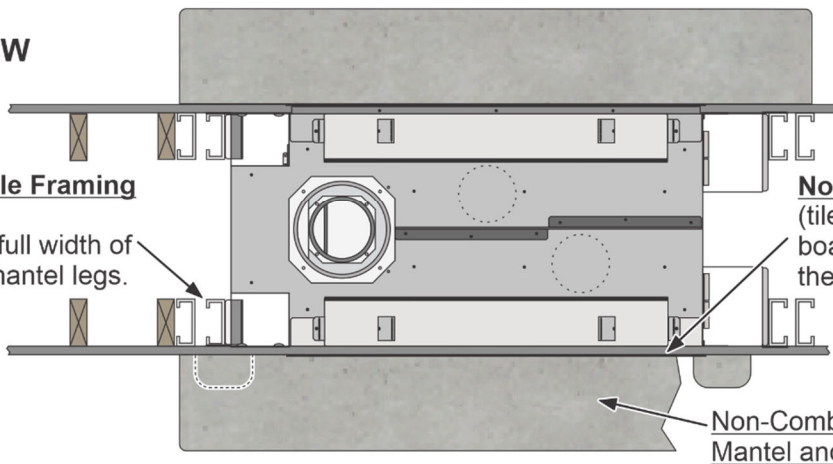
#### **Non-Combustible Framing**

(metal studs) Must extend the full width of the mantel and mantel legs.

#### **Non-Combustible Facing**

(tile, marble, cement board, etc.) must extend the full width of the mantel.

**Non-Combustible Mantel and Legs**

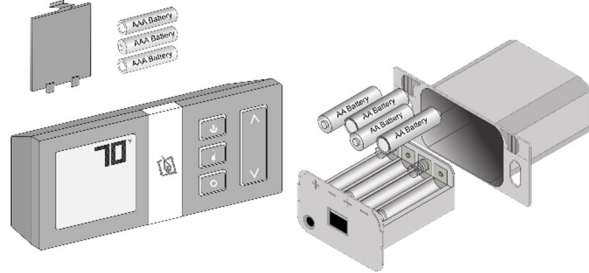


## 44 Finalizing the Installation (for qualified installers only)

### Finalizing the Installation

1. Remove the glass (see page 48).  
**NOTE:** If using propane (LP) convert the appliance prior to installing the media.
2. We recommend you purge the gas line at this time (**with the glass removed**). This allows gas to be detected once it enters the firebox, ensuring gas does not build up.

Install the batteries into the battery box and remote.



3. Turn on the gas to the heater. Leak test all gas joints prior to starting the appliance. Start the pilot to verify the gas supply (see instructions on page 46). Leak test all the gas joints. Turn the gas control knob to "OFF" to shut off the appliance.

### Pilot Flame Inspection

The pilot flame should look like the illustration below. Adjust the pilot flame if necessary.

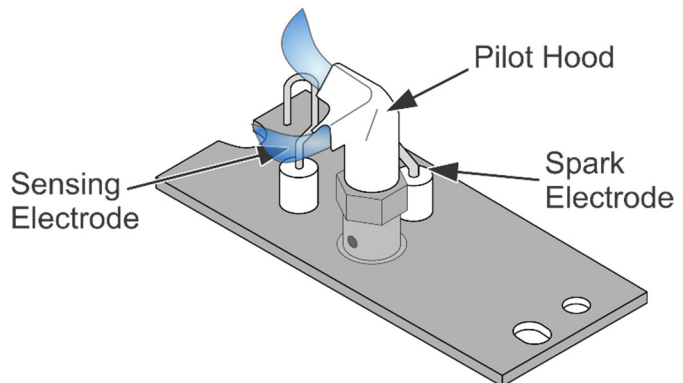
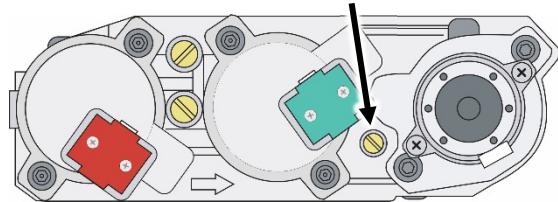
The pilot flame should look like the illustration below. Adjust the pilot flame if necessary.

To adjust the pilot flame, turn this screw. Clockwise lowers the flame while counterclockwise raises it



Standard  
Screwdriver

The pilot flame should touch the top 3/8" of the sensing electrode and make contact with the pilot hood. Adjust the pilot up or down as necessary.

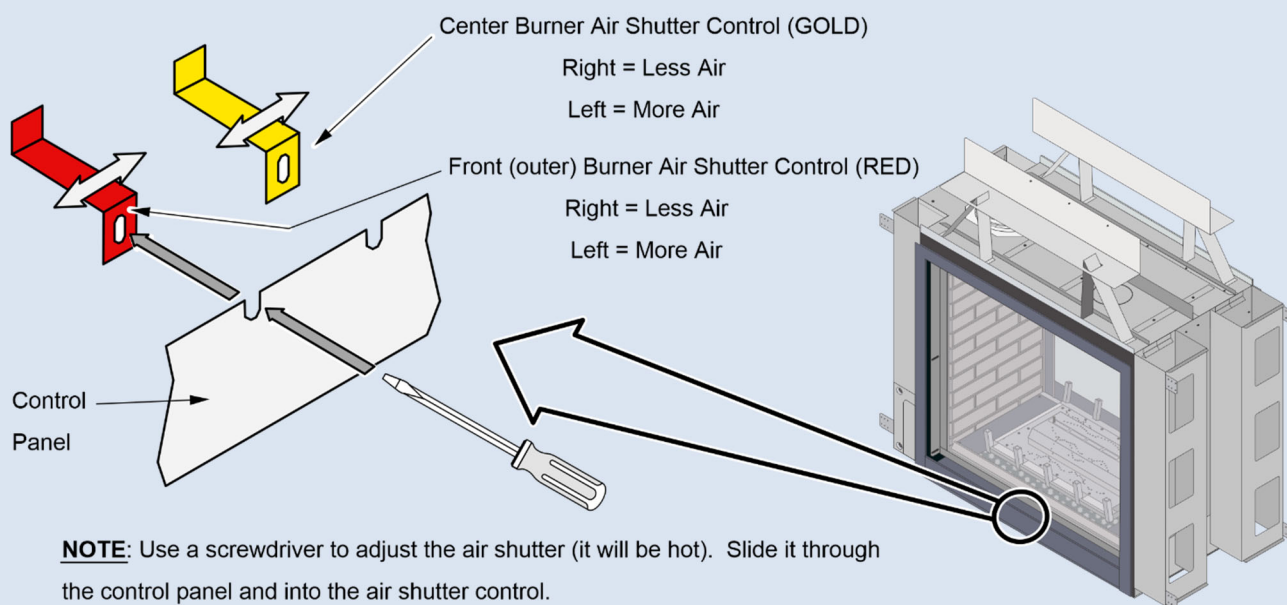


4. Replace the glass.
5. Start the main burner and verify the burner ignites correctly.
6. Leak test all gas joints.

## Air Shutter Adjustment

Let the heater burn for fifteen minutes (make sure the logs and glass are in place). The flames should be yellow with no sooting. Adjust the air shutter, if necessary, to achieve the correct looking flame.

### Air Shutter Adjustment



Typically, the air shutter is more closed (right) on NG, more open (left) on LP.

7. Adjust the flame to its highest position - the flames should not contact the top of the firebox. Check the flame on low setting. The flames should burn off of each burner hole. If the heater does not work correctly, contact your Travis dealer for a remedy.
8. Give this manual to the homeowner for future reference and fully explain the operation of this heater. For comprehensive operating and maintenance instructions, refer to the Owner's Manual.

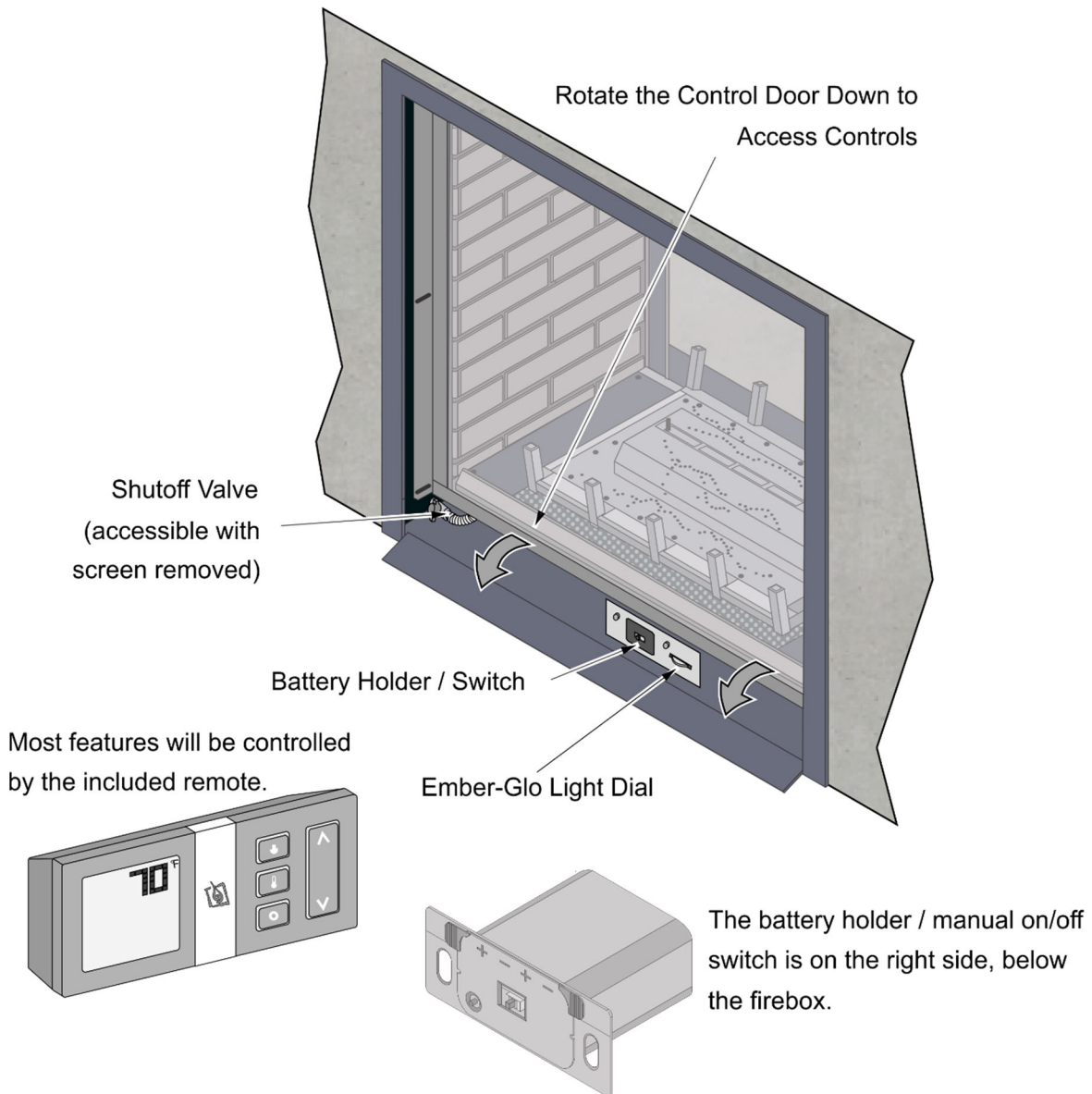


**ACID WASH WARNING:** Make sure any masonry that has been treated with acid wash has been properly neutralized (this is used primarily with brick faces). Acid wash (muriatic acid) is used to remove excess mortar.

## 46 Finalizing the Installation (for qualified installers only)

### Location of Controls

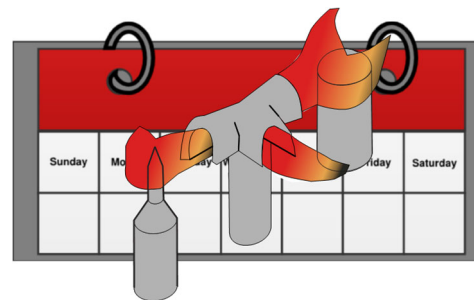
There is a door on the lower portion of the screen assembly to provide access to the manual controls on the fireplace. The door is held closed by two magnets. Open the door by gently pulling outward on the upper portion of the lower trim.



## ***Pilot Fuel Conservation Timer (GSB & GSR units)***

### **7 Day Pilot Shutoff Timer (applies to units in CPI mode only)**

This appliance may be equipped with a 7-day pilot shutoff timer. This timer helps conserve fuel and save money by turning the pilot off when the appliance is not used for 7 days (this timer is mandated in certain areas for conservation purposes). This applies only when the unit is in CPI (Continuous Pilot Ignition) mode. If the unit is in IPI (Intermittent Pilot Ignition) mode, the timer does not apply.



When in CPI mode the pilot will remain lit as long as the burner is engaged within a 7-day window. Each time the burner is turned on the 7-day timer resets. If the burner is not engaged within the 7-day window, the pilot will automatically revert to IPI mode and turn off to conserve fuel.

### **To switch back to CPI, simply:**

GSB2 Units: toggle the IPI/CPI switch to IPI, then back to CPI.

GSR2 Units: use the remote to toggle from IPI mode, then back to CPI mode.

To prevent the need to reset the pilot mode during the heating season, we have listed a few strategies below:

### **Option 1: Remember to periodically turn on the heater during the heating season**

If you use your heater for supplemental heat, this may be the best solution. Set a specific time, once or twice per week (e.g., 5 pm on Tuesday & Friday) to turn the heater on for a few minutes. This will reset the timer and prevent the need to restart the pilot.

### **Option 2: Use a thermostat**

GSR Units: Use the thermostat included with the appliance

GSB Units: Consult your dealer for thermostats compatible with your appliance.

The use of a thermostat will keep the room at a constant temperature and will, in most cases, keep the heater working throughout the heating season. Light the pilot at the beginning of the heating season and set the thermostat to the desired room temperature. As long as the outside temperature does not rise excessively, for seven days or more, the pilot will continue to operate.

### **Option 3: Use a programmable thermostat (GSB2 Only)**

A programmable thermostat may be set to turn on, once per week, to a high temperature for a short time. This will reset the 7-day timer and allow the heater to operate without having to restart the pilot.

# 48 Finalizing the Installation (for qualified installers only)

## Glass Frame Removal and Installation



A barrier designed to reduce the risk of burns from the hot viewing glass is provided with this appliance and shall be installed for the protection of children and other at-risk individuals.



If the barrier becomes damaged, the barrier shall be replaced with the manufacturer's barrier for this appliance.



**The appliance must be completely cool before removing the glass.**



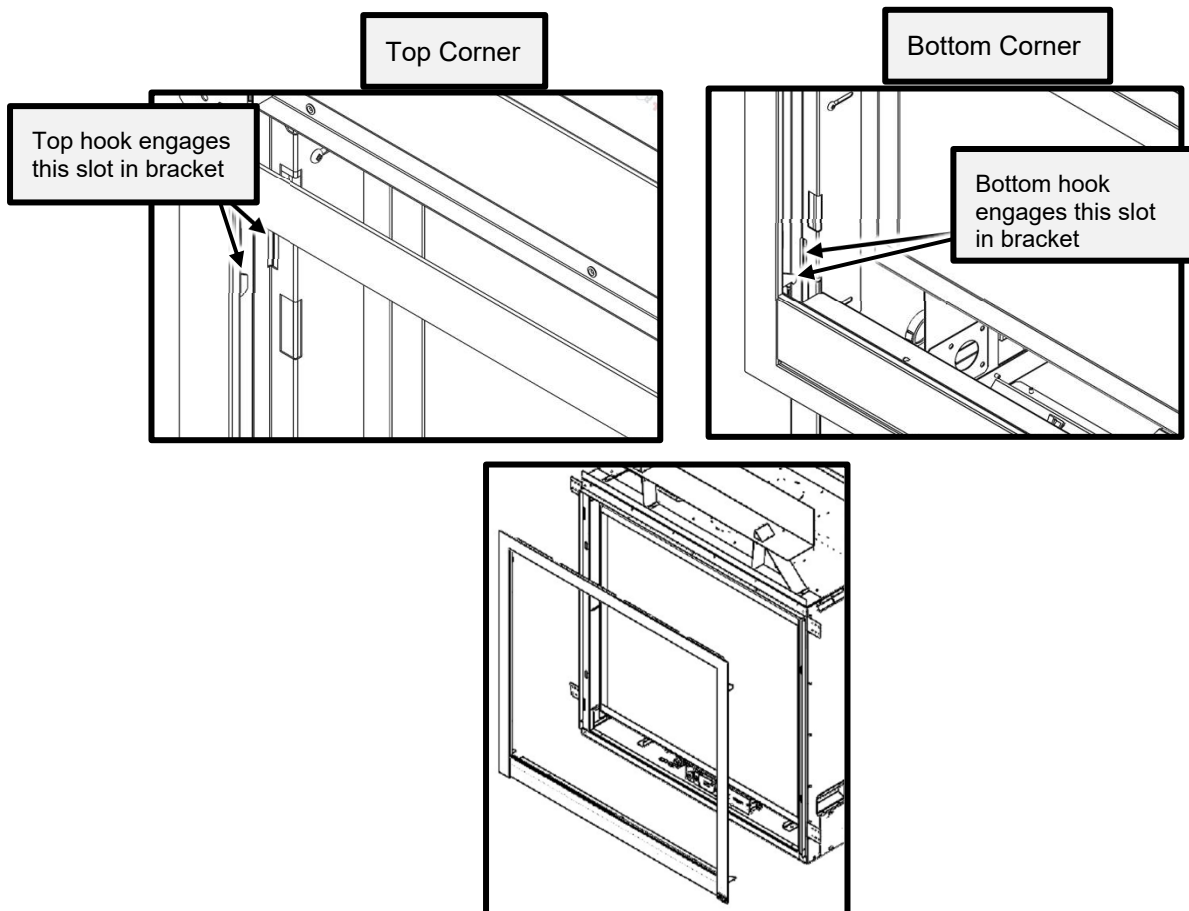
**Do not strike or slam the glass.**



**Warning: Do not operate the appliance with the glass front removed, cracked, or broken. Replacement of the glass should be done by a licensed or qualified service person.**

1. Remove the screen-trim assembly by lifting the assembly slightly and tilting it toward you. The mounting hooks on the back of the assembly will disengage the fireplace. Set the assembly aside for reinstallation.

**NOTE:** Opening the access door on the front of the assembly allows for an easy location to get a secure grip on the assembly for removal

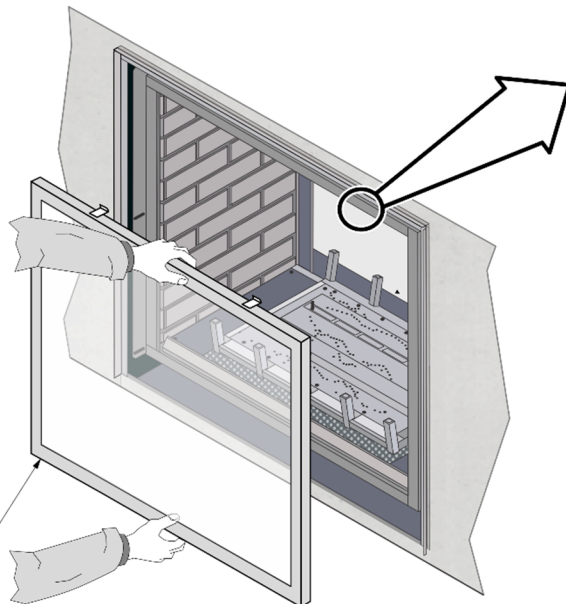


	Replacement Barrier Part #
36 CF ProBuilder	250-04839



2. Remove the glass frame following the directions below.

- a** Open the latches holding the glass frame in place (start with the bottom) - follow the directions shown to the right.



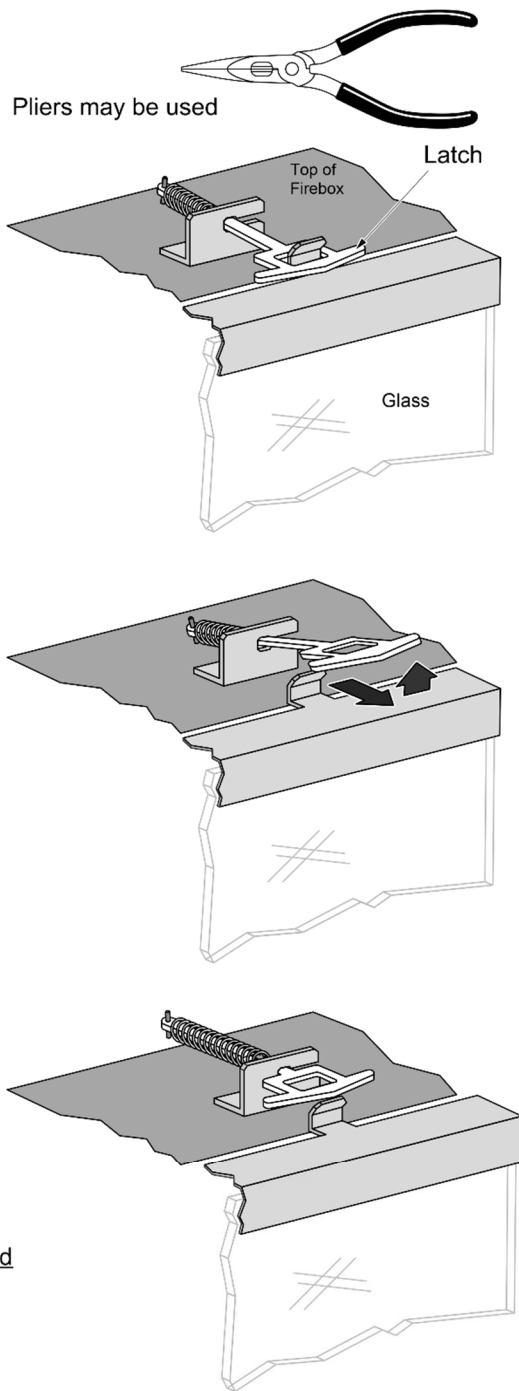
- b** Lift the glass frame up and pull it forward to remove.

**NOTE:**  
You may need to lift the glass frame while re-attaching.

**Re-Attaching the Glass Frame:**

- a) Hang the glass frame on the firebox.
- b) While holding in place, attach the upper latches (follow the instructions to the right in reverse).
- c) Lift the glass frame slightly and attach the lower latches.

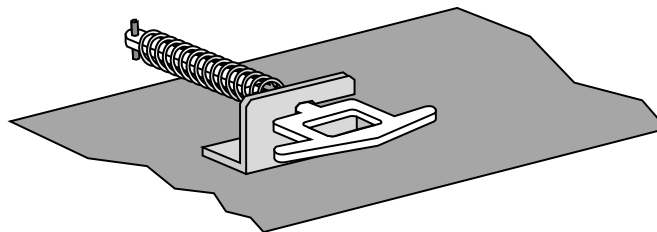
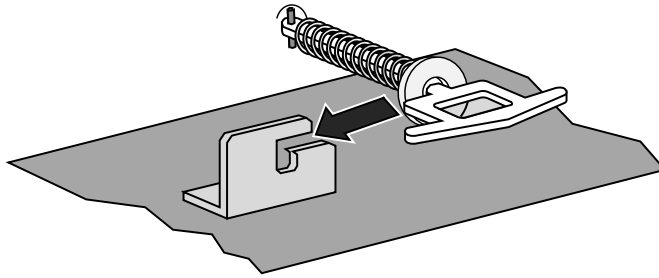
**NOTE:** Make sure the glass frame is all the way in place - it should be parallel with the front of the fireplace when installed.



Replacement Glass Frame Part #	
36 CF ProBuilder	250-04837

## 50 Finalizing the Installation (for qualified installers only)

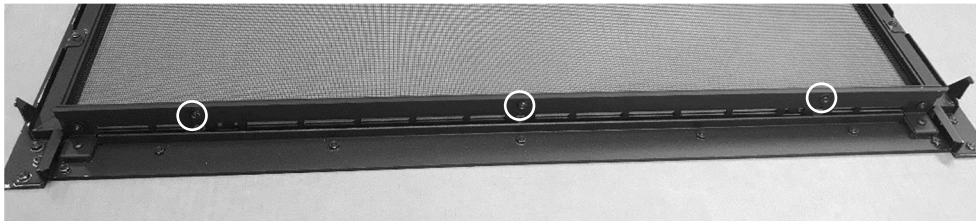
The latch can come loose from the glass frame anchor. This occurs when it is turned 1/4 turn when it is disengaged. Follow the directions below to re-install the latch if it becomes loose.



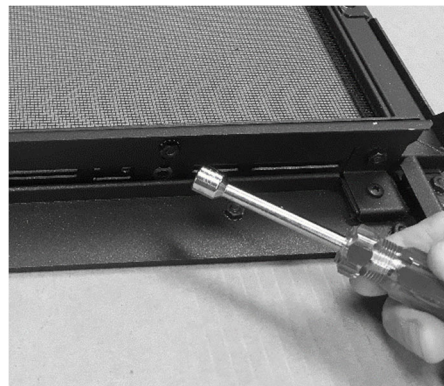
### Barrier Screen Visual Deflector Adjustment

The barrier screen assembly has an adjustable visual deflector along the lower edge. If the assembly is adjusted to accommodate thick facing material, adjust the deflector, as shown below, to block the view of the valve area.

1. Place the screen assembly face down on a soft surface to protect it from scratching. Locate the nuts along the bottom edge of the deflector (in this example there are 3, your fireplace may have more).



2. Remove the nuts using an 11/32" nut driver. Move the deflector to the desired position and reinstall the kept nuts. Test fit the assembly to the fireplace and make any adjustments as needed.



## Log Set Installation

---

### Part Numbers / Compatibility

- Classic Oak - sku# 94500642
- Birch - sku# 94500641

### Installation Warnings

**NOTE:** Consult the installation manual for the order of installation. If using propane (LP), convert the appliance before installing the log set. If using firebacks, install them prior to installing the log set.

- The logs are fragile, especially after being exposed to heat.
- Make sure the gas control valve is OFF and the heater is cool prior to conducting service.
- Failure to position the parts in accordance with these diagrams or failure to use only parts specifically approved with this appliance may result in property damage or personal injury.
- The burner must be correctly positioned before installing the log set. Make sure the burner is fully seated and the pilot is properly aligned. See the owner's manual for details on burner removal.

### Installation – Oak vs. Birch

Both log sets are nearly identical in shape. The only difference is the paint scheme and some textural details. Page 3 shows pictures of the birch log set installed. The step-by-step installation pictures show the classic oak log set.

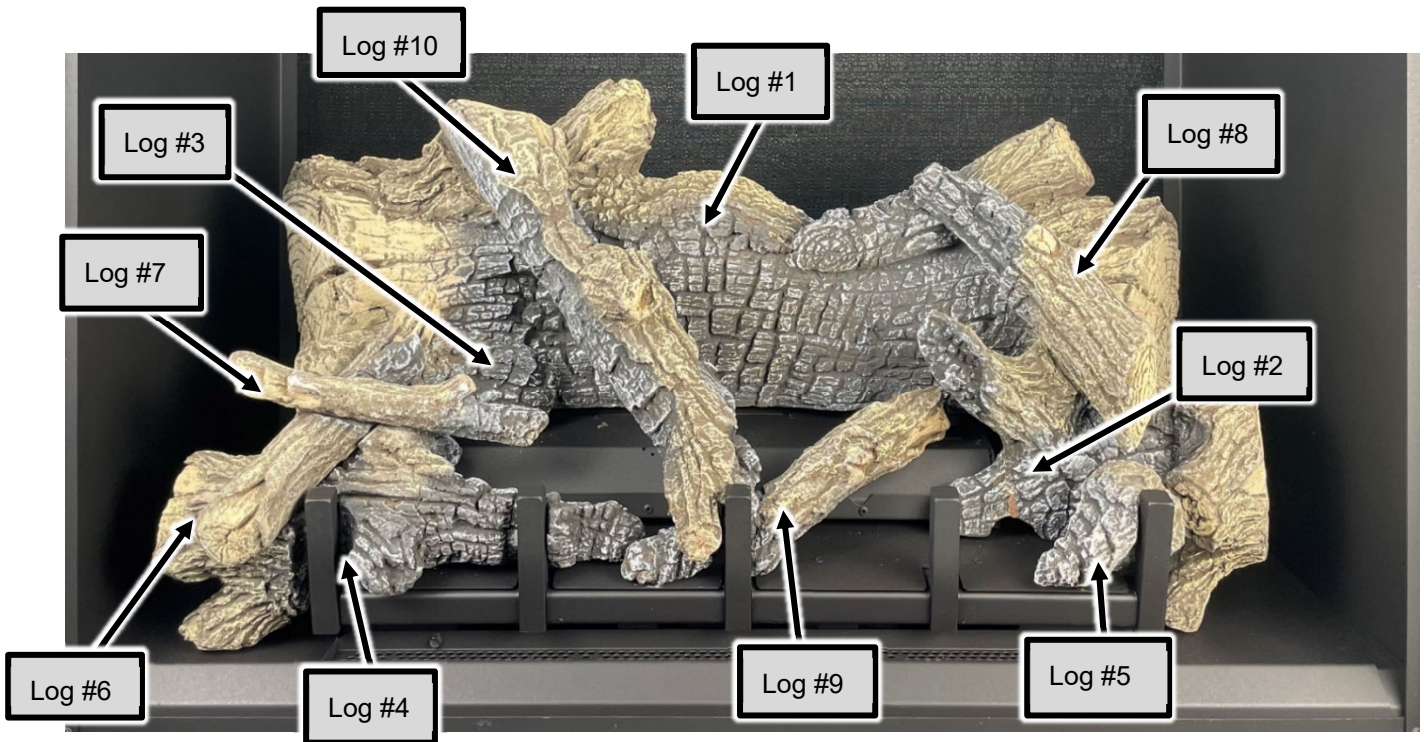
**NOTE:** For the oak and birch sets there are **(2) of every log** with the exception of the #1 log. The pictures and instructions are shown from the "service side", which is the side that the valve and controls face. The logs on the "non-service side" install in exactly the same way as on the service side. The only difference is the appearance of log #1.

## 52 Finalizing the Installation (for qualified installers only)

### Log Set Overview – Classic Oak 94500642

When installed, the ten (10) logs should appear as shown below.

#### Service Side View



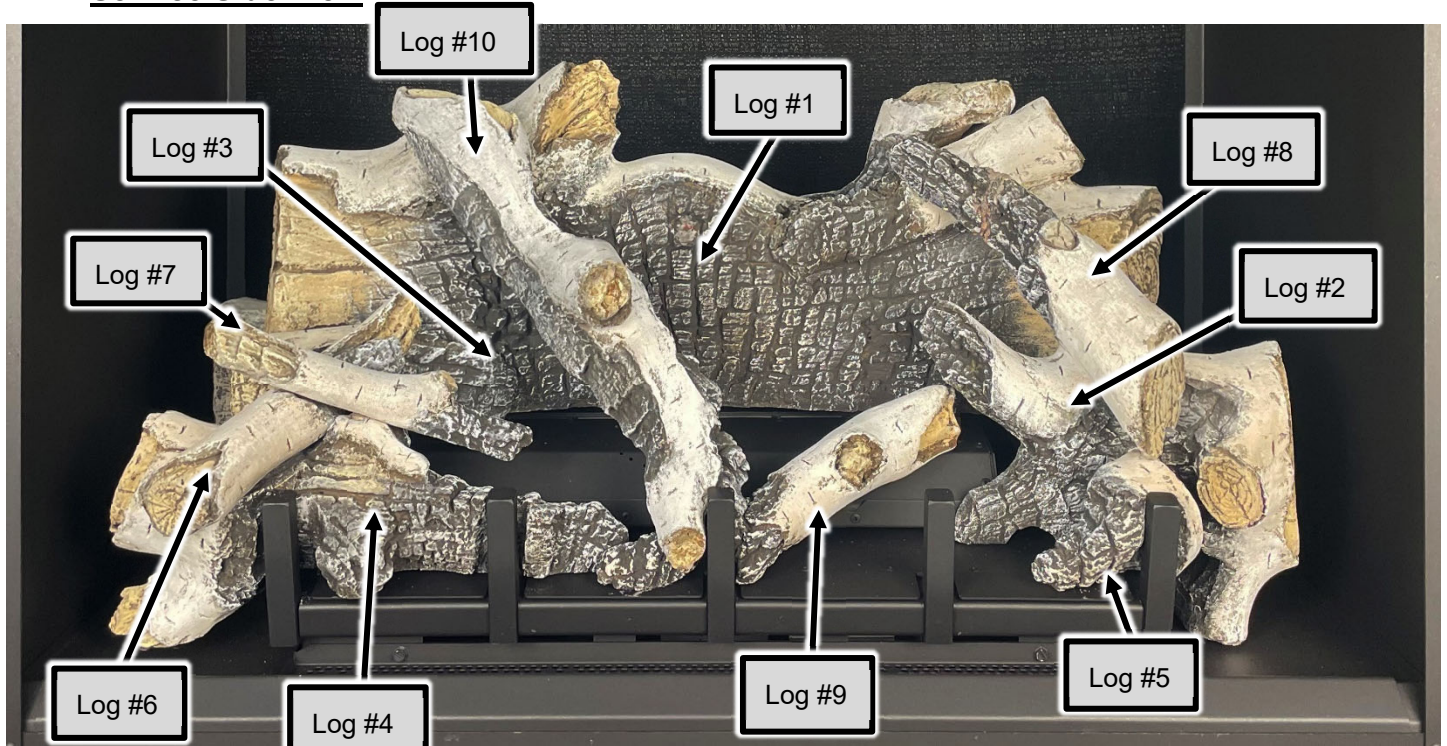
#### Non-Service Side View



## Log Set Overview – Birch 94500641

When installed, the ten (10) logs should appear as shown below.

### Service Side View



### Non-Service Side View

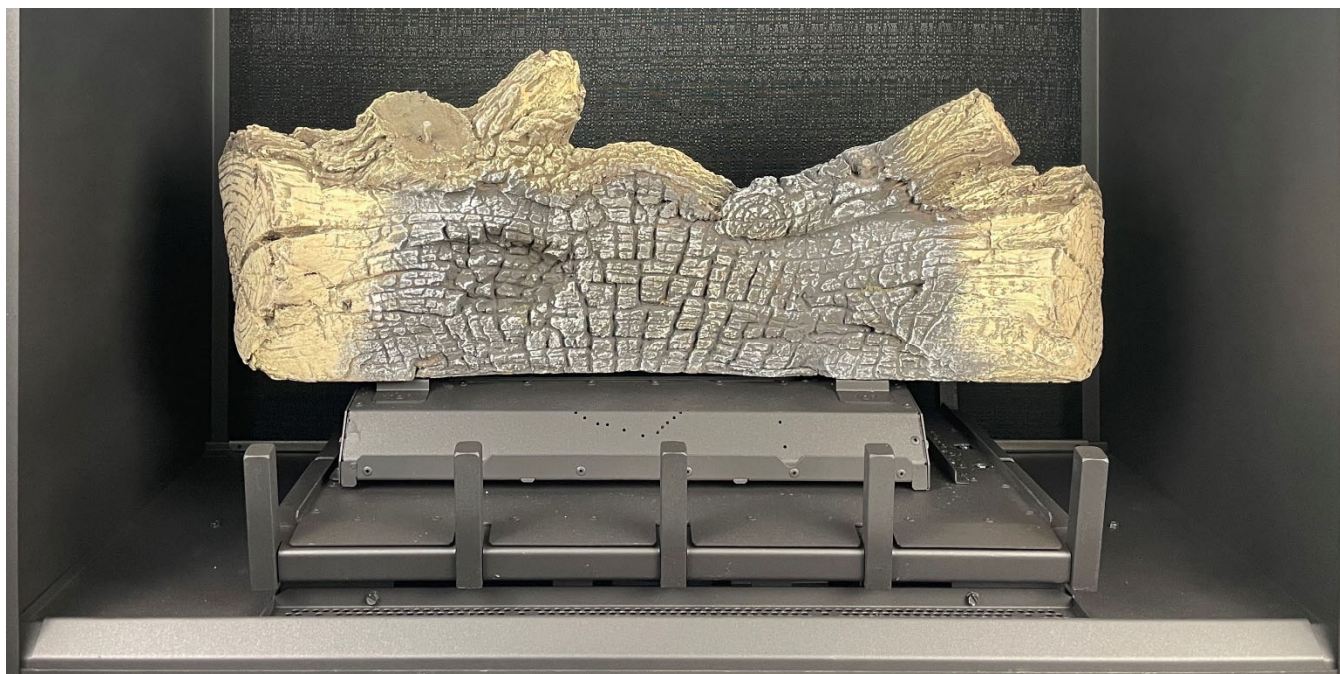
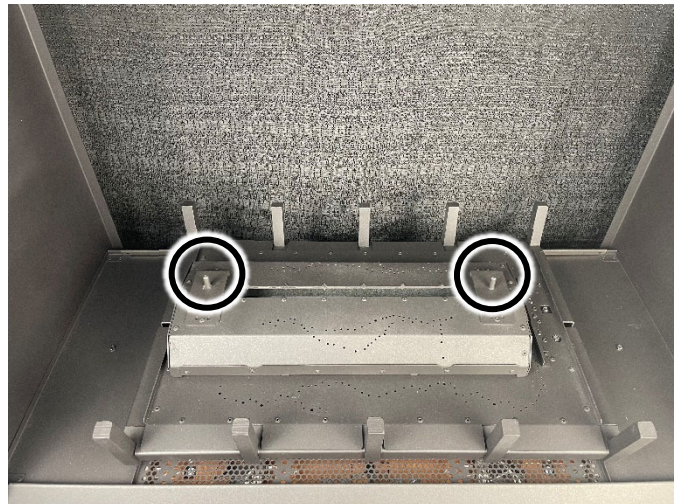


## 54 Finalizing the Installation (for qualified installers only)

### Installation

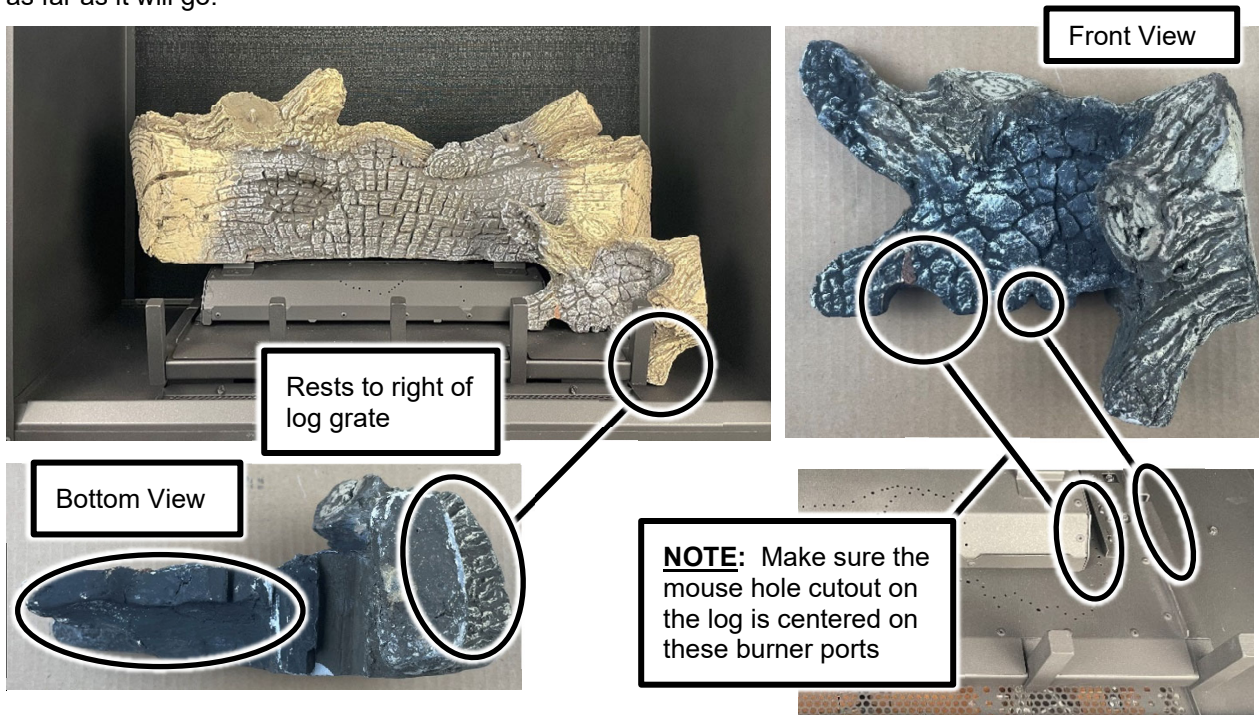
#### Log #1

Install Log #1 as shown below. Log #1 has holes on the bottom that rest over two pins in the middle of the burner (see photos below). This log is directional, and the side shown in the left-top picture below must be facing the service side of the fireplace.



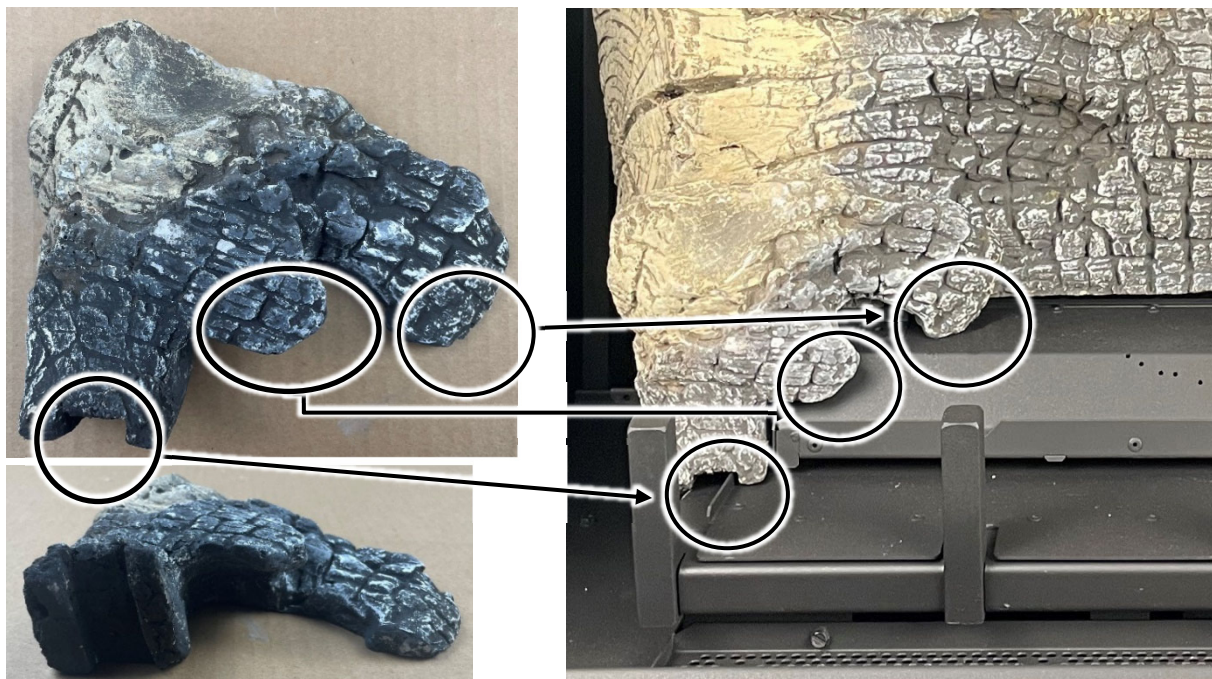
## Log #2

Log #2 has a flat surface on the bottom right branch of the log. The flat surface rests on the firebox floor to the right of the log grate. The left rear of log #2 has a cut-out that rests against the sloped section of the center burner. There are also 2 thin straight grooves in the bottom middle of the log. The right groove rests on the lip of the outer burner. With the log in place, move it back against the center burner as far as it will go.



## Log #3

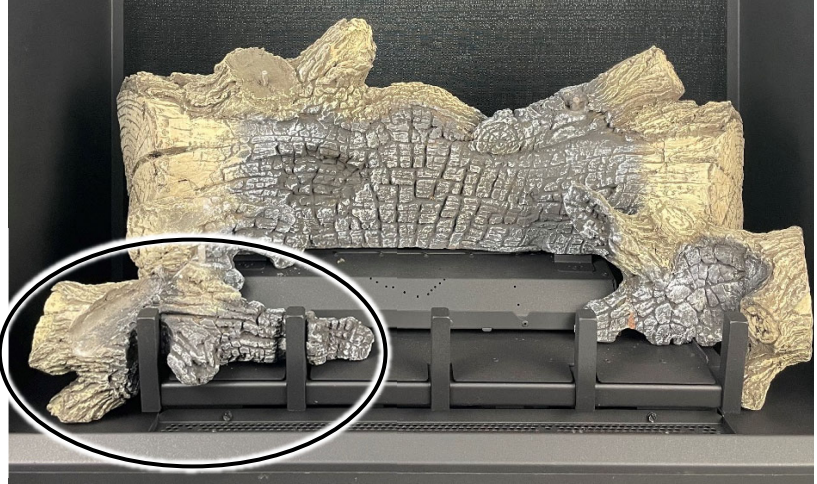
Log #3 has a channel on the bottom that fits over the left bar of the log grate. On the right end of the log, the bottom tip rests on top of the center burner. The center nub circled on the picture rests against the sloped front of the center burner. With the log in place, push it back as far as it will go. Make sure that the logs do not obstruct any burner holes.



## 56 Finalizing the Installation (for qualified installers only)

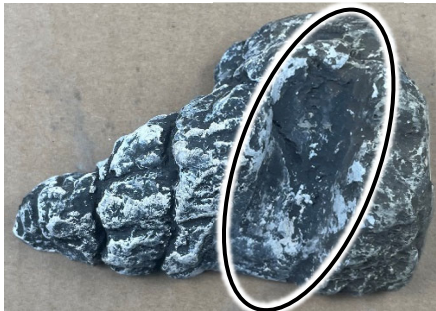
### Log # 4

Install log #4 as shown below. The cut branch on the bottom left of Log #4 rests on the media tray to the left of the log grate. There are notches on the front of the log that fit around the two left log grate fingers. With the log in place, pull it forward as far as it will go and check to make sure the log does not obstruct any burner holes.



### Log # 5

Install log #5 as shown below. The pointed, charred end will be on the left and point toward the center front of the firebox. There is a groove in the front of the log that rests against the rightmost log grate finger.

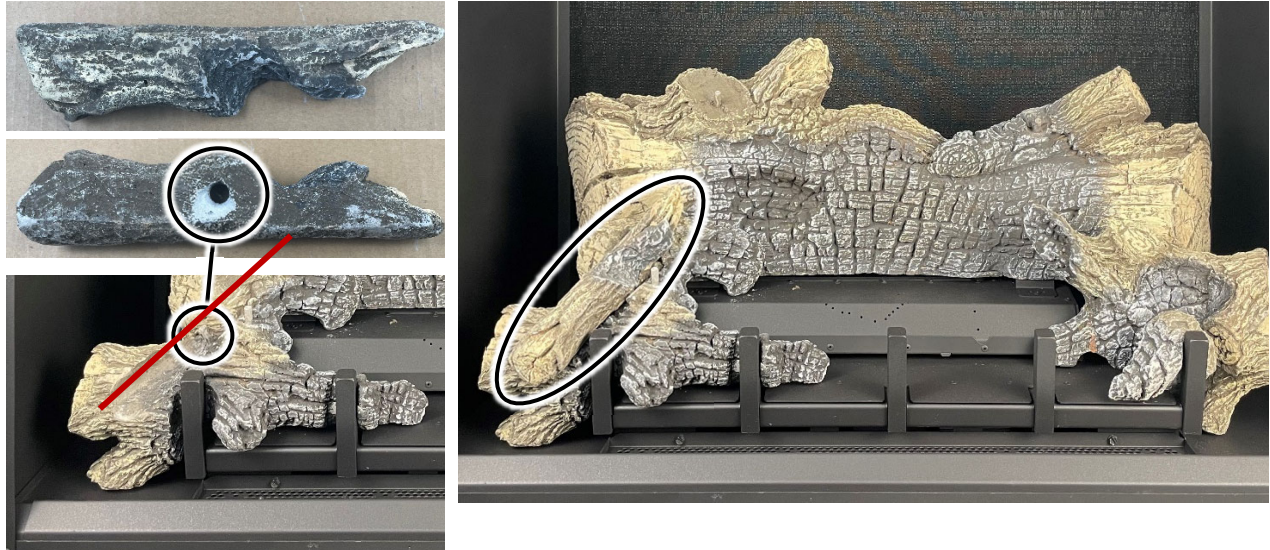




## Log # 6

Install log #6 as shown below. The hole in the bottom of log #6 rests on the left log locating pin and sits in the diagonal groove on the top of log #4. The wider end of log #6 should be on the left and the sharper, charred end points up and right.

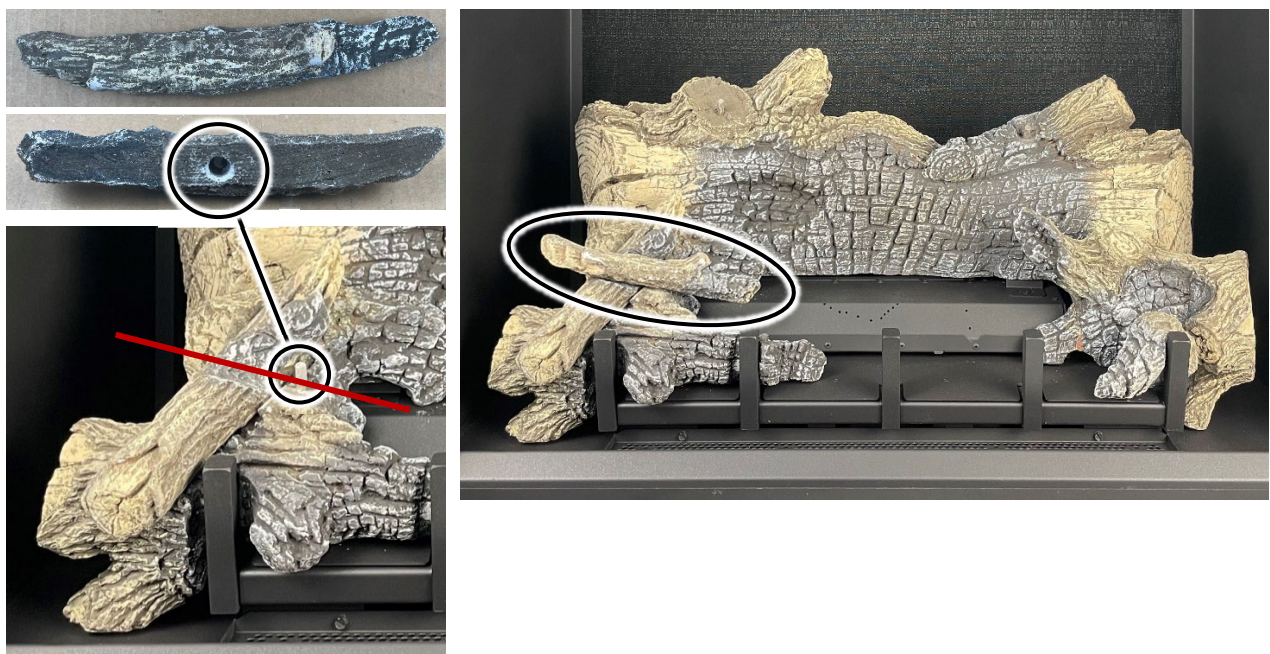
**NOTE:** The red line in the lower left picture represents the direction the log should be resting.



## Log # 7

Install log #7 as shown below. The hole in the bottom of log #7 rests on the remaining log locating pin on the top of log #4 and fits into a diagonal groove in log #6, locking logs #5, #6, and #7 together. The charred end of log #7 should be on the right.

**NOTE:** The red line in the lower left picture represents the direction the log should be resting.

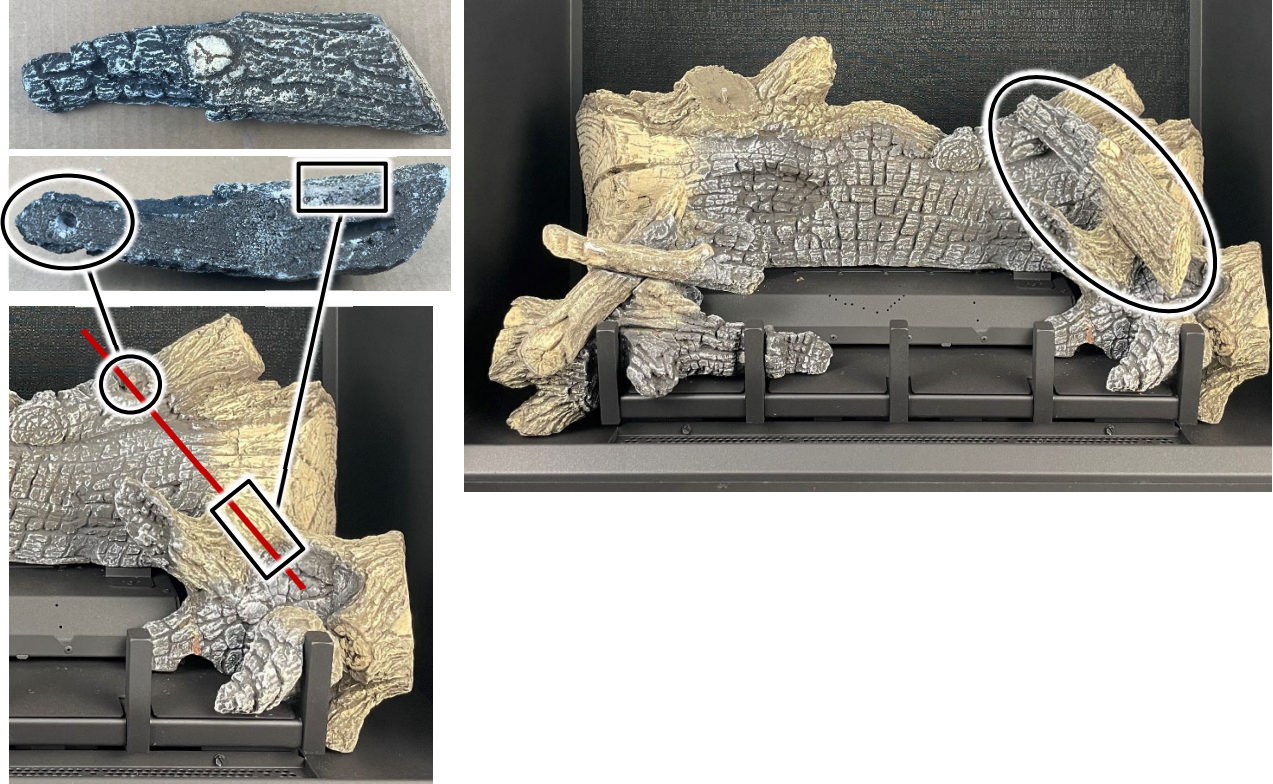


## 58 Finalizing the Installation (for qualified installers only)

### Log # 8

Install log #8 as shown below. The hole on the bottom of the narrow, charred end of log #8 rests on the log locating pin on the right end of log #1. The wider end of log #8 rests on log #2 as shown below.

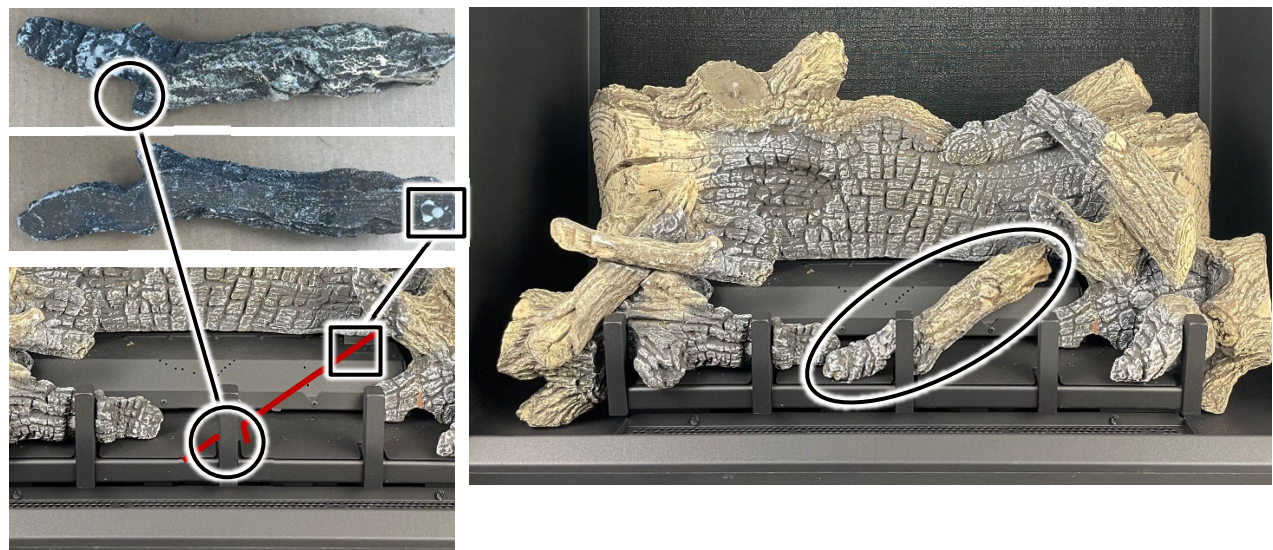
**NOTE:** The red line in the lower left picture represents the direction the log should be resting.



### Log # 9

Install log #9 as shown below. There is one pin on the bottom of log #9. The pin rests on the top surface of the center burner. The other end of the log rests on the outer burner. The crook of the log fits around the center log grate finger. Make sure the log does not obstruct any burner holes.

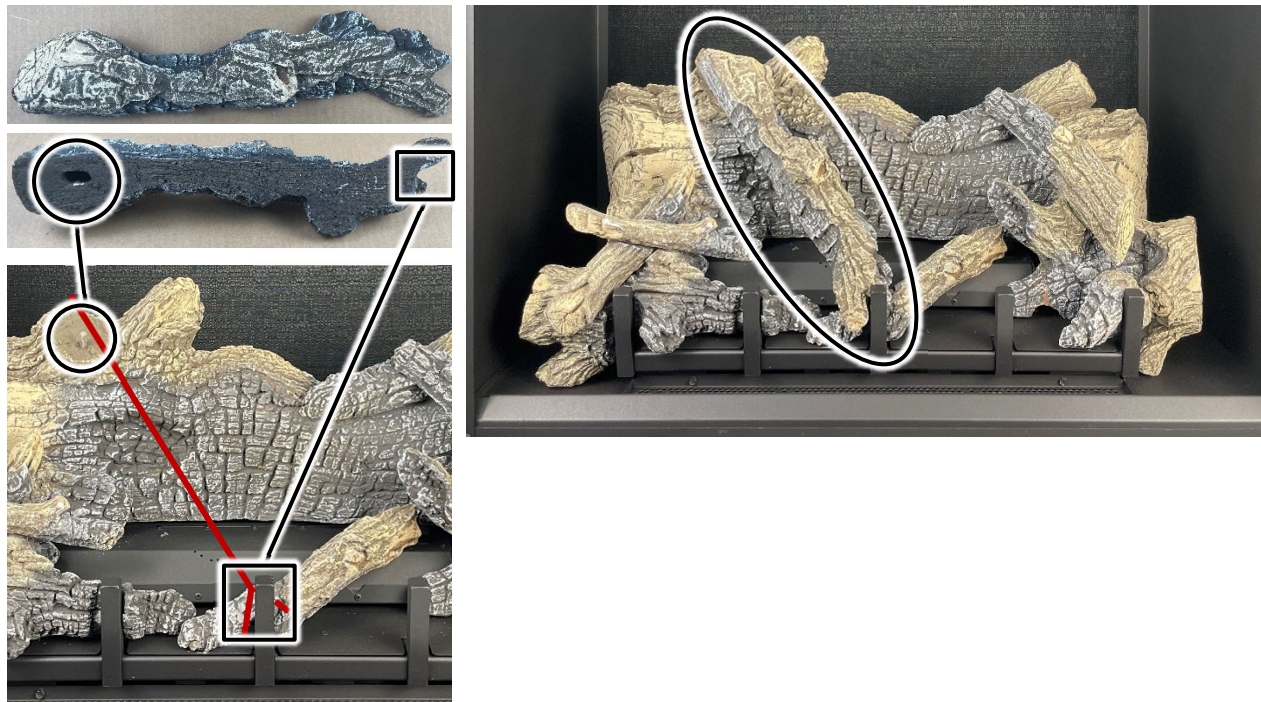
**NOTE:** The red line in the lower left picture represents the direction the log should be resting.



## Log # 10

Install log #10 as shown below. The hole on the bottom of log #10 rests over the pin on the left end of log #1. The right end of the log rests on top of log #9 and the crook of the log fits around the center log grate finger.

**NOTE:** The red line in the lower left picture represents the direction the log should be resting.



## Rock Wool Placement











**NOTE:** The rock wool is included with the fireplace.



Detail the burner with Rock Wool. The included rock wool is placed on top of the burner to enhance the glow from the burner. **The Rockwool can be applied in a relatively thick layer.** The best method for applying the rock wool is to brush it onto the burner. Compress a clump of Rockwool between your thumb and forefinger. Use a stiff brush to apply Rockwool fibers onto the burner. Do not use the entire bag of Rockwool. Use only a small amount and save the remainder. Over-use of Rockwool will diminish the glow and may cause sooting or other adverse conditions.



# 60

# Finalizing the Installation (for qualified installers only)

(94500641) Birch - Log Replacement Part Numbers			
Log #	Qty.	Part #	Image
Log #1	1	250-06036	
Log #2	2	250-06037	
Log #3	2	250-06038	
Log #4	2	250-06039	
Log #5	2	250-06040	
Log #6	2	250-06041	
Log #7	2	250-06042	
Log #8	2	250-06043	
Log #9	2	250-06044	
Log #10	2	250-06045	

(94500642) Oak - Log Replacement Part Numbers			
Log #	Qty.	Part #	Image
Log #1	1	250-06026	
Log #2	2	250-06027	
Log #3	2	250-06028	
Log #4	2	250-06029	
Log #5	2	250-06030	
Log #6	2	250-06031	
Log #7	2	250-06032	
Log #8	2	250-06033	
Log #9	2	250-06034	
Log #10	2	250-06035	

## Ember bed Glass and Ember Material Installation

### Ember bed Glass Installation

- Make sure the ember skirt is in place. The skirt hooks over the front of the ember platform and slopes outward toward the glass. The skirt helps keep the glass and ember material from falling off the platform when the glass is removed.
- Locate the perforations in front of the log grate.



- Place a thick layer of the ember glass over the perforations making sure to cover all of the holes completely.



- Lightly dress the ember glass with black touch-up paint (we recommend Stove Bright®). Check the appearance with the lights on and add additional paint, as needed, for a realistic glowing ember appearance.

**NOTE:** If power is supplied to the fireplace, it can be helpful to turn the lights on while painting so you can determine an appropriate amount of paint for a realistic ember appearance.

**NOTE:** We recommend that you use a piece of paper or cardboard as a shield to mask the log grate and burner from overspray (see below).



Scan this code with a QR reader on your cell phone to watch a video of the setup.



<http://vimeo.com/289322734>

## 62 Finalizing the Installation (for qualified installers only)

### Ember Material Installation (GSR2 ONLY)

- Once the ember glass installation is complete, place a generous amount of ember material on the firebox floor on either side of the firebox. Completely cover any visible metal on the firebox floor.

**NOTE:** Make sure no ember material is placed directly on the burner.

**HINT:** Add a few randomly placed ember chunks over the ember bed glass to produce a more realistic appearance.



## LP Conversion Instructions



### **WARNING**



This conversion kit shall be installed by a qualified service agency in accordance with the manufacturer's instructions and all applicable codes and requirements of the authority having jurisdiction. If the information in these instructions is not followed exactly, a fire, explosion, or production of carbon monoxide may result causing property damage, personal injury, or loss of life. The qualified service agency is responsible for the proper installation of this kit. The installation is not proper and complete until the operation of the converted appliance is checked as specified in the manufacturer's instructions supplied with the kit.

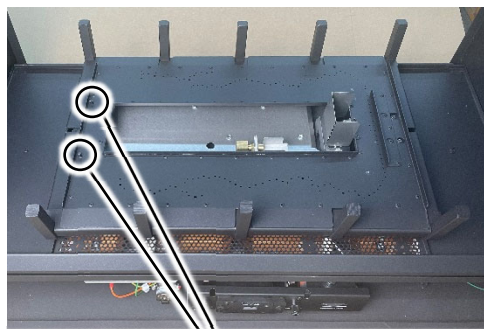
**Caution:** The gas supply shall be shut off prior to disconnecting the electrical power, before proceeding with the conversion.

**Note:** Convert the appliance prior to installing the gas line to ensure proper gas use.

The GSR Stepper Motor Kit (4-pack = 94400999, single = 250-01463) is required for converting this appliance to LP. The kit contains the stepper motor (regulator) and Torx wrench. The burner orifices, pilot orifice, and burner gaskets are shipped with the appliance.

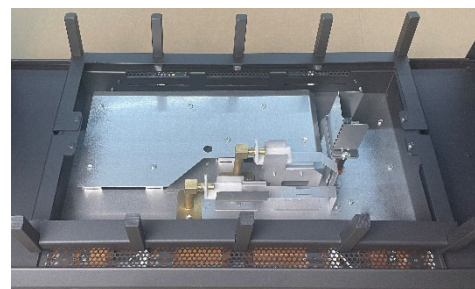
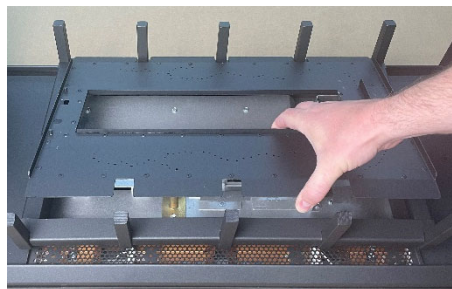
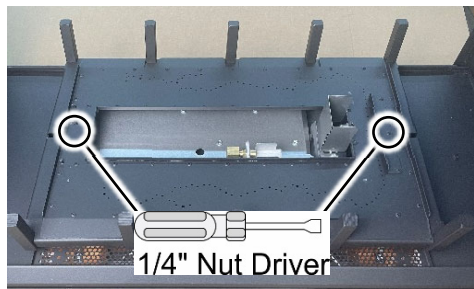
1. Remove the barrier and glass. Remove the logs and embers (if installed - page 51)
2. Remove the burners following the directions below.

Lift the center burner and remove it from the firebox. When replacing the burner make sure it is properly located.



**NOTE:** When reinstalling the center burner make sure that the holes on the left end of the burner engage the two locating pins.

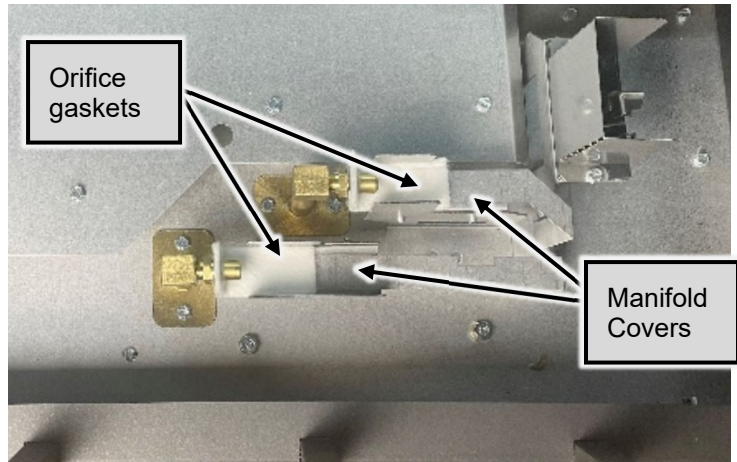
Use a 1/4" nut driver to remove the (2) screws that secure the outer burner to the fireplace (see below left). Lift the outer burner and remove it from the firebox. When replacing the burner make sure it is properly located and secure the burner to the fireplace using the screws that were previously removed.



# 64 Finalizing the Installation (for qualified installers only)

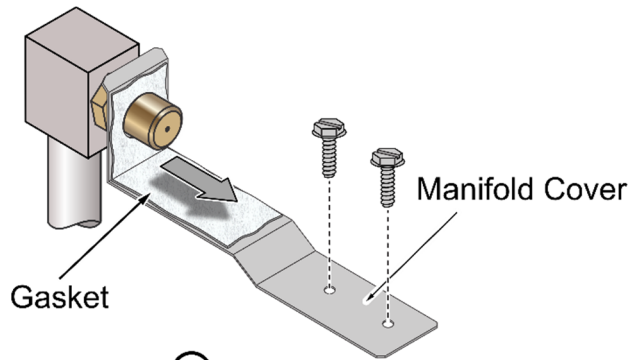
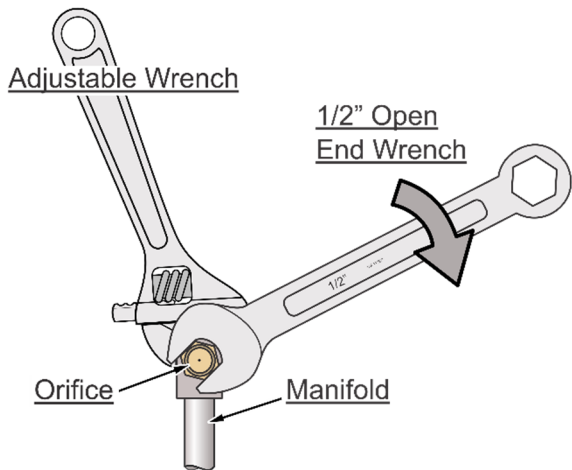
Remove the manifold covers.

**NOTE:** Discard the orifice gaskets and reinstall the manifold covers after changing the orifices



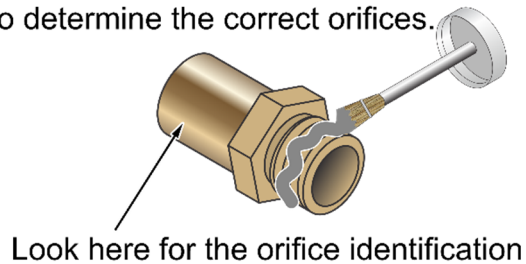
3. Follow the directions below to replace the orifice.

- a) Remove the manifold cover(s) that are around the burner orifice(s).
- b) Use a adjustable wrench to support the manifold while removing each orifice with a 1/2" wrench.



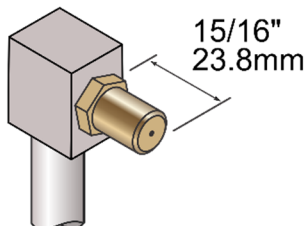
c)

Apply thread sealant to the LP orifices prior to installation. Use the chart in the "Gas Specifications" section to determine the correct orifices.



d)

Screw each LP orifice until orifice protrudes 15/16" (23.8mm) indicating full insertion (use wrench to support manifold when re-attaching orifice).

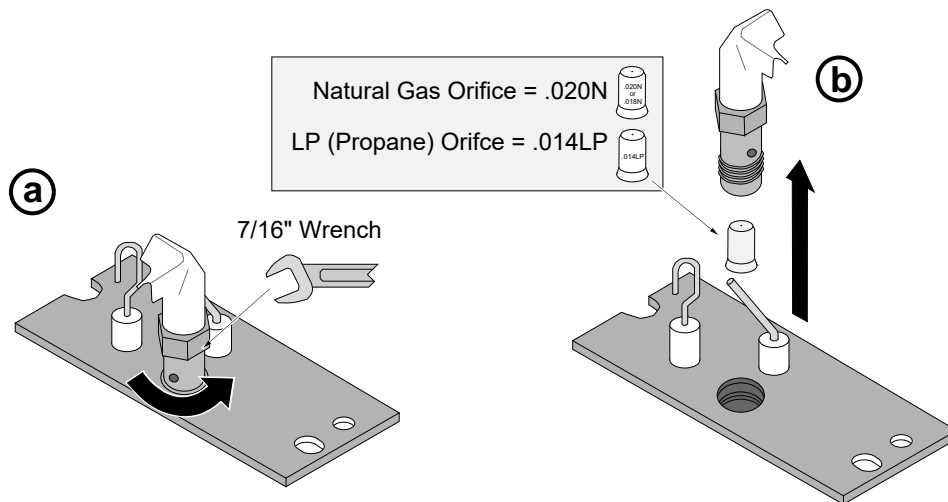


### **PB36CF ST Orifice Numbers**

	NG	LP
Center	#46	1.25mm
Outer	#45	1.25mm



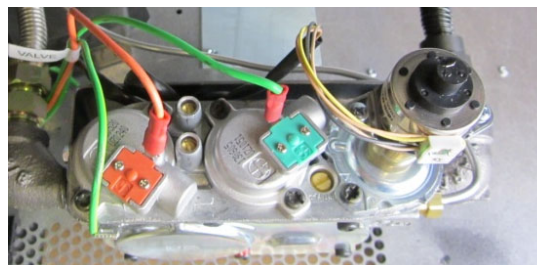
4. Install the LP pilot orifice following the instructions below.
  - (a) Use a 7/16" open-end wrench to remove the pilot hood.
  - (b) Remove and discard the Natural Gas (NG) orifice. Place the LP orifice in the pilot assembly then replace the pilot hood, tightening the pilot hood until it is snug (do not over-tighten).
5. Discard the orifice gaskets and reinstall the manifold covers after changing the orifices



6. Remove the regulator from the front of the gas control valve. There is a knob extension on the regulator knob that will need to be moved to the new regulator. To remove the extension pull it toward you. Replace with the propane regulator, using the new gasket and screws included with the regulator. Re-install the knob extension onto the LP regulator knob. The knob extension is directional so you may need to turn it until it lines up properly with the regulator knob and can be pushed into place.

**NOTE: Leak test this area after the heater is installed, gas is connected, and the main burner is lit.**

The stepper motor (adjustable regulator) has an installation sheet included with it – make sure to follow all of the directions. Place the stepper motor on the gas control valve (see below) – **MAKE SURE IT IS CORRECTLY ORIENTED.** Secure using the screws included with the motor – tighten to 25 Lb.-inches. Leak test this area after installation to verify proper installation.



7. Make the gas line connection, bleed the gas line (if applicable), start the heater, and thoroughly leak-test all gas connections and the gas control valve.

## Fireback Installation

### SKU #'s

- Black Glass - sku# 96100857
- Brick - sku# 96100858

### Compatibility

- ProBuilder 36 Clean Face See-Through Fireplace

### Packing List

- (2) Side Fireback
- (4) Spacer Clips (GLASS FIREBACK ONLY)

#### CERAMIC FIREBACKS ARE FRAGILE

HANDLING THE FIREBACKS: The firebacks are fragile – especially after being burned. Take care to prevent contacting/scraping the fireback against metal or rough surfaces. You may wish to lay out a blanket during installation in case you need to set the firebacks down.

#### GLASS FIREBACK WARNINGS

HANDLING THE FIREBACKS: The glass firebacks are fragile – especially the edges. Take care to prevent contacting/scraping the glass against metal or rough surfaces. You may wish to lay out a blanket during installation in case you need to set the firebacks down.

We recommend the use of gloves and safety glasses during the installation of the glass firebacks.

#### GLASS FIREBACK CLEANING

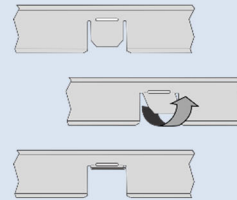
These firebacks require periodic cleaning. Do not use ammonia-based cleaners (this may cloud the glass). We recommend ammonia-free glass cleaner (i.e., vinegar and water) to clean the fireback.



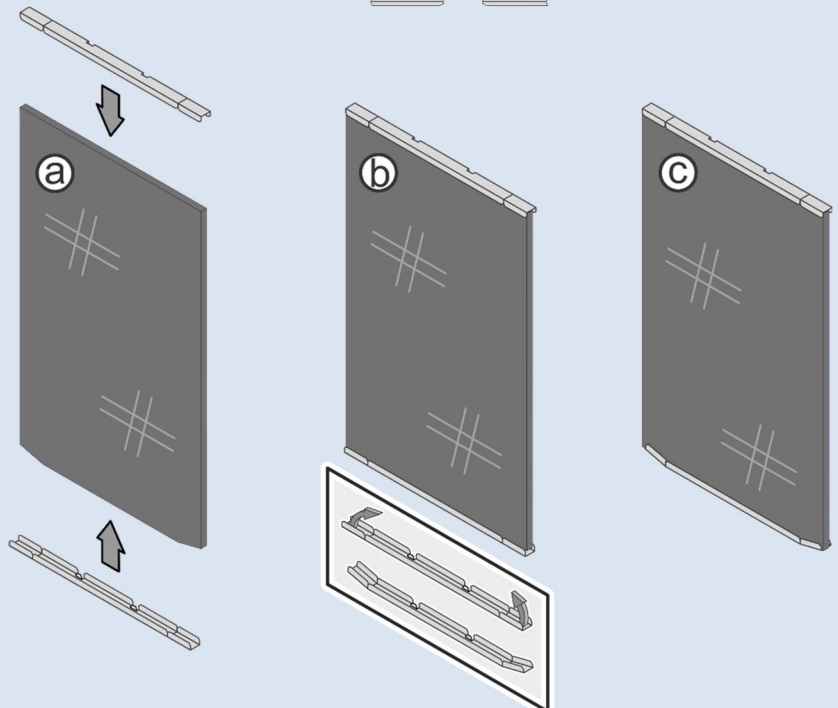
- Install the firebacks after the fireplace is in position.
- Install the firebacks before installing the log set.

### Preparing the Firebacks (**BLACK GLASS ONLY**)

- Prepare the spacer clips for the black glass firebacks by bending the tabs (2 per spacer) 90° as shown to the right.



- Place the spacers onto the top and bottom edges of the glass. The bent tabs from the previous step should be on the back side of the glass panel. The spacers are designed to friction fit the glass once installed. If the spacer will not stay, rebend the tabs a little bit more and test the fit.
- The bottom edge of the glass panel has sniped corners. The spacers have two bendable ends so the spacer can match the shape of the glass. Bend the two ends upward.
- The prepared fireback should look like this when complete. Repeat this process with the other glass fireback

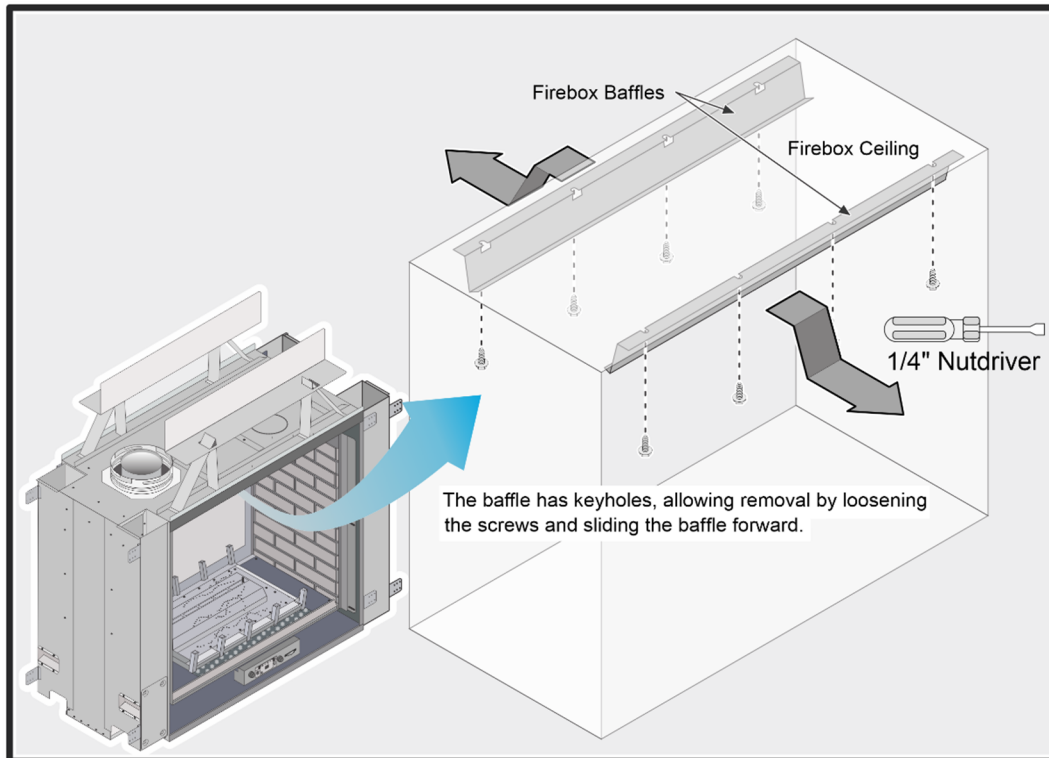


## Installation

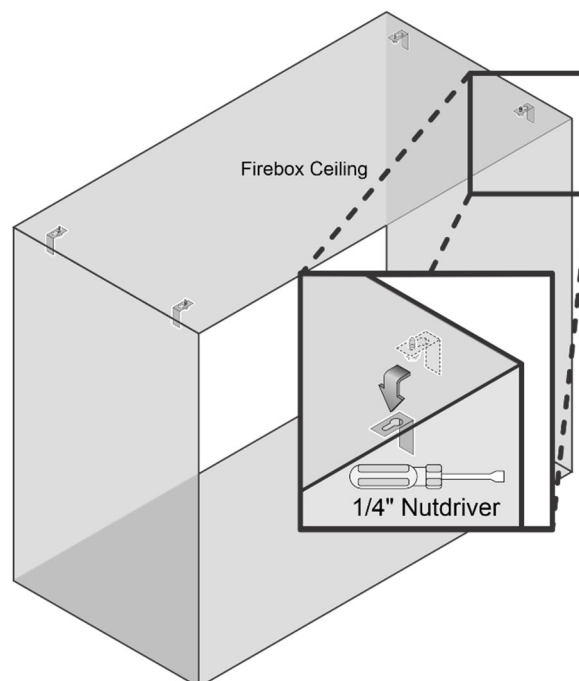
**WARNING** Turn off the gas to the appliance and make sure it has fully cooled prior to conducting service.

1. Remove the glass frame (both sides) and packaged logs (see the installation manual for details).
2. Remove the firebox baffle from both sides of the firebox ceiling (see illustration below).

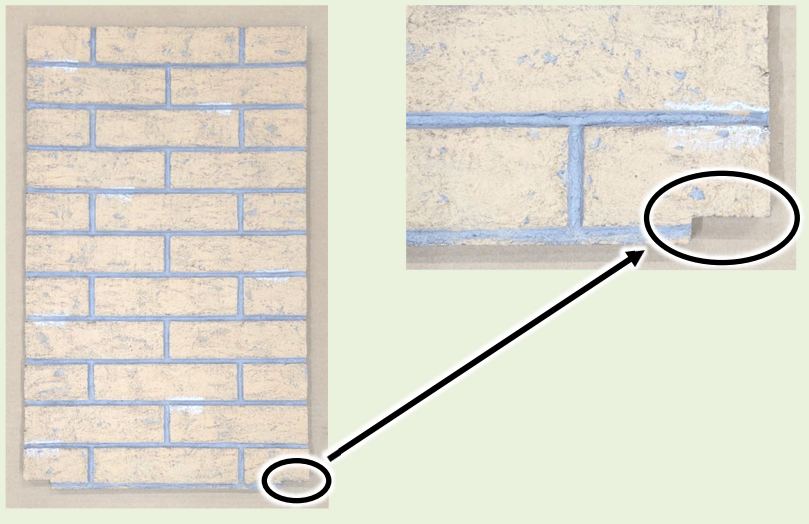
**NOTE:** The baffles are replaced once the firebacks are in place.



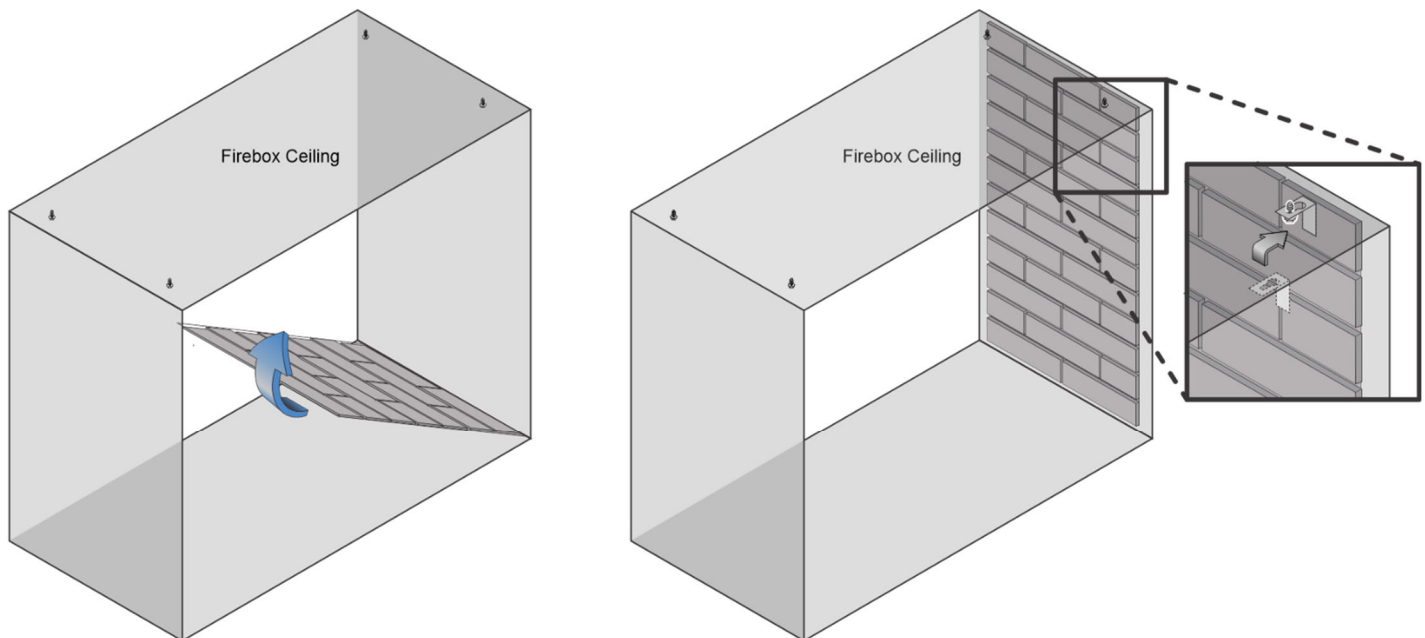
3. Remove the (4) fireback clips (2 on each side) from the ceiling of the fireplace (see illustration below).



**NOTE:** The brick fireback panels have a top and a bottom. The bottom corners are notched. Make sure the panels are properly oriented before trying to place them in the fireplace.



4. Tilt one of the side firebacks and place it inside the fireplace. Set the bottom edge of the fireback panel up against the bottom of the side wall of the firebox (there is a channel on the floor of the firebox that the fireback sets in). Tilt the top edge of the fireback up until the fireback is tight against the side wall of the fireplace. Replace the (2) fireback clips to secure the fireback in place. Repeat this process for the opposite side fireback.

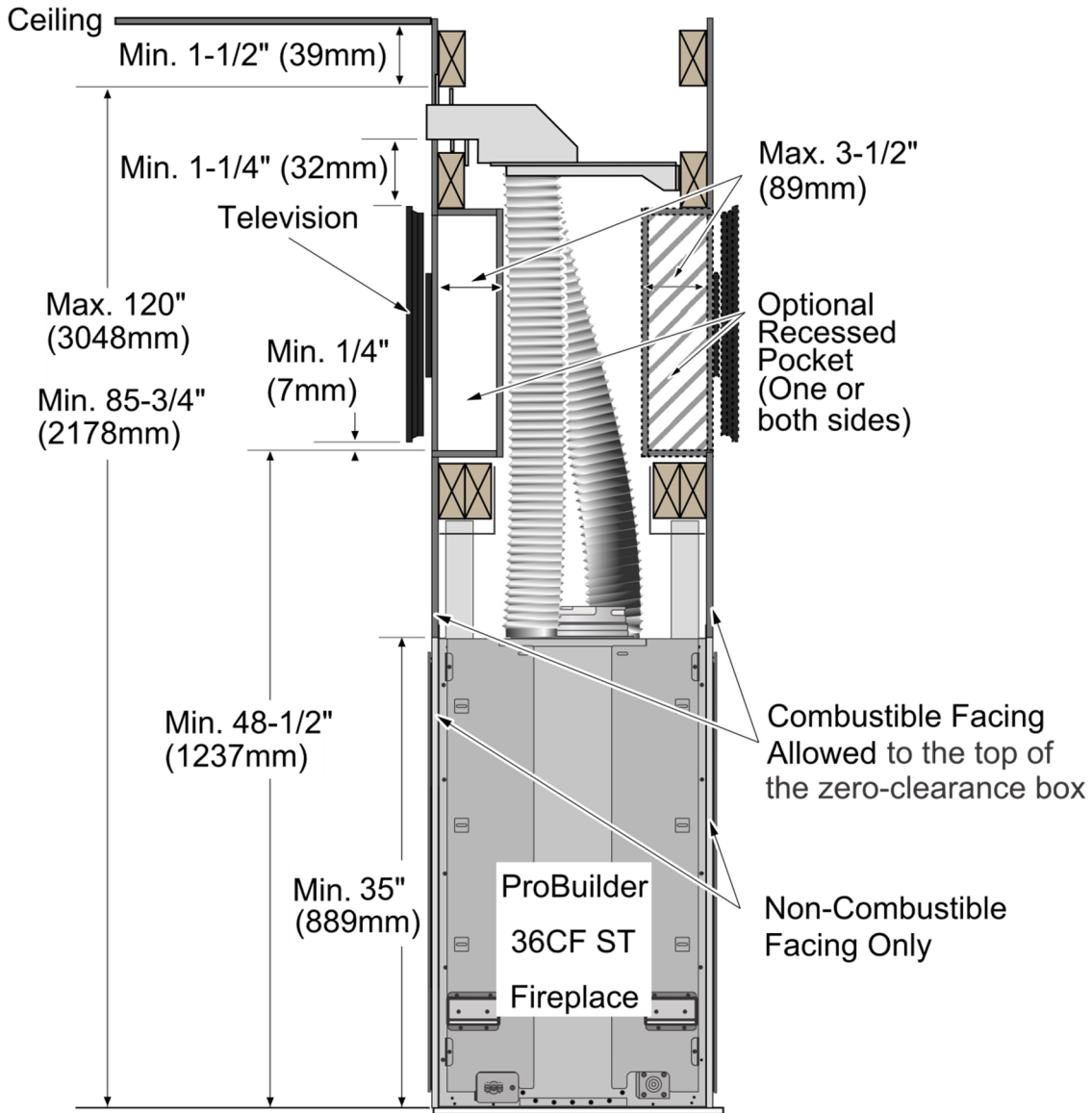


5. Restore the fireplace to the correct configuration (make sure to reinstall the baffles)

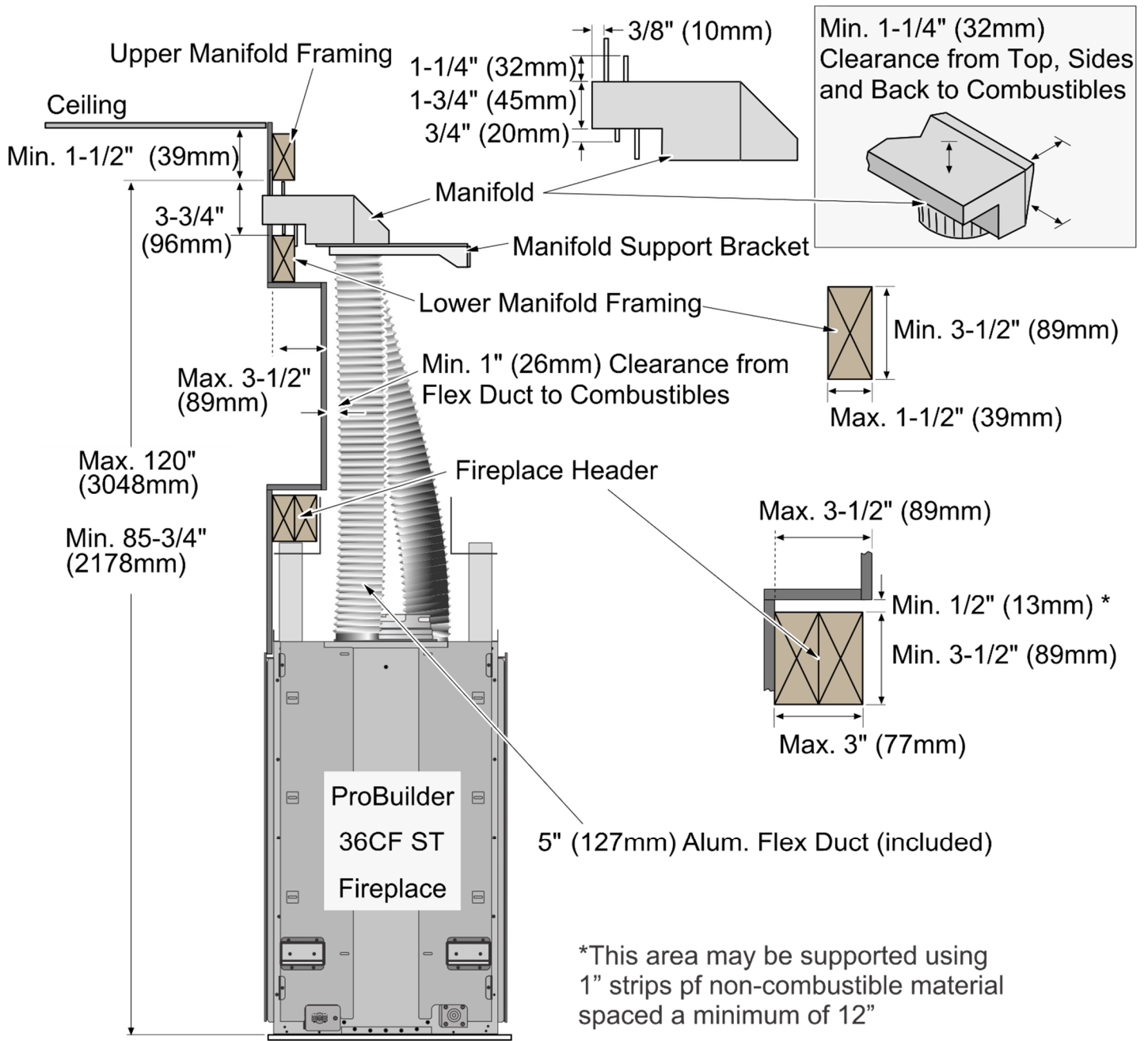
## CoolSmart TV – Installation Overview (Optional)

The CoolSmart system is designed to redirect the convective heat of the fireplaces from the front of the unit, just above the glass, to a location higher on the wall. The use of this kit allows for reduced clearances to televisions and a recessed cavity above the fireplace. When using this kit, disregard the standard framing dimensions and follow the framing instructions for the CoolSmart kit.

When used on the PB36 CF ST, this kit allows for the **non-combustible facing height to be reduced**. See the illustration below for details.

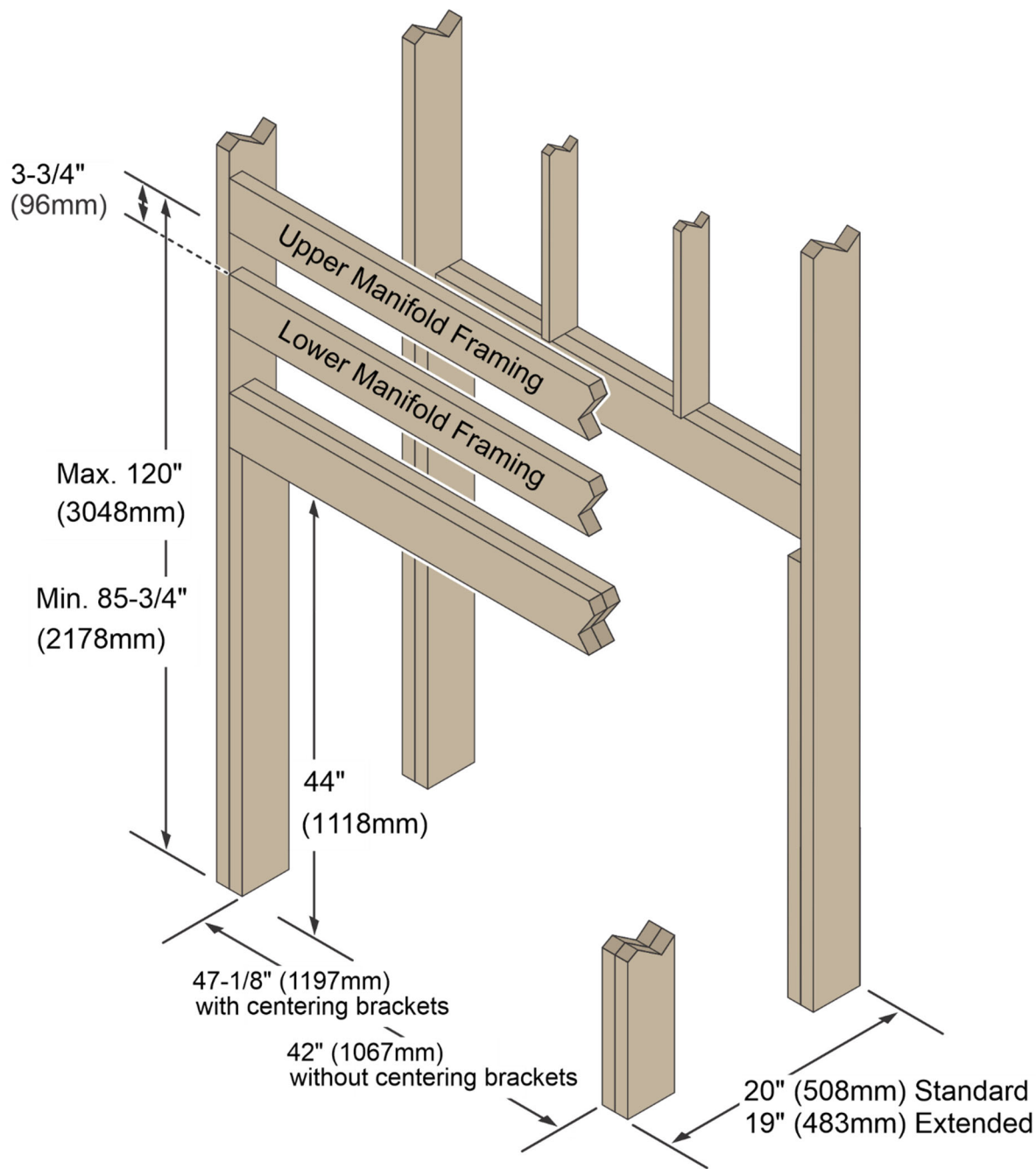


PB 36CF ST - Installation Requirements



## PB 36CF ST - Framing the Chase

When using this kit, disregard the framing dimensions in the manual and follow the framing instructions shown below\*.

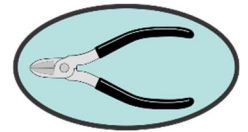
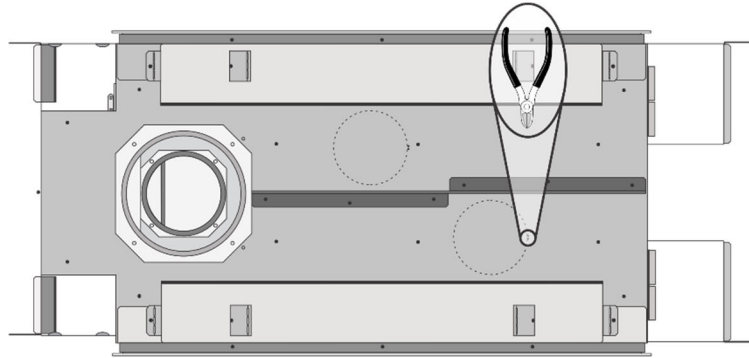


## PB 36CF ST - Fireplace Preparation

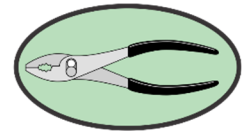
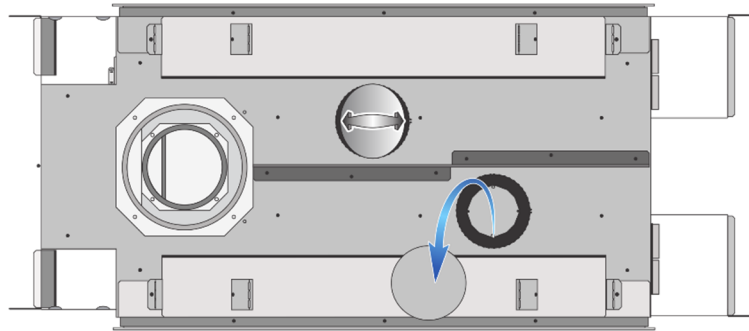


**WARNING:** You must remove (3) layers of cover plates for each of the flex attachment points to extract the heat properly from around the firebox. Not removing all the cover plates can create hazardous conditions.

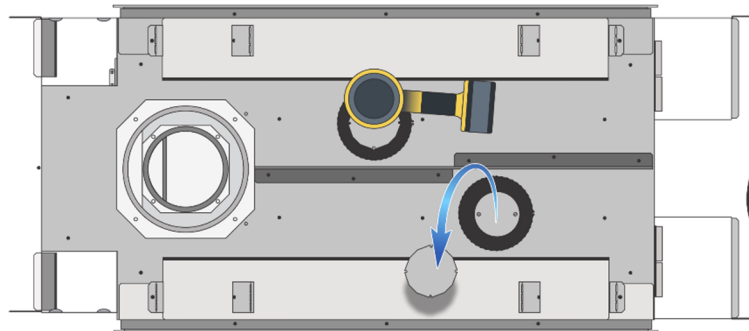
- 1 Use snips or diagonal cutters to snip the tab on the knockouts. Press on the far side away from the tab to pop the edge of the knockout up.

**Layer 1**

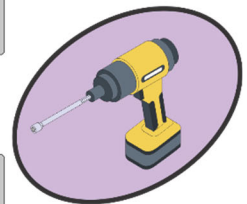
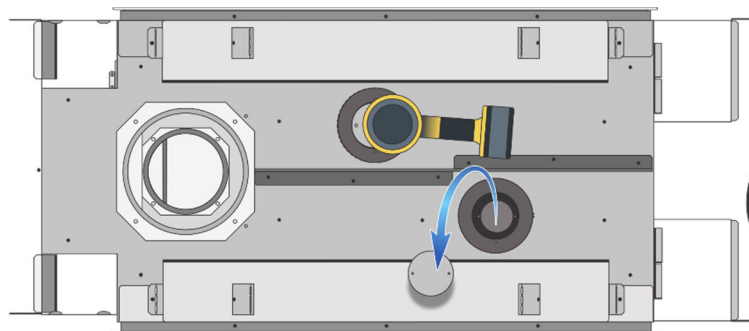
- 2 Remove the knockouts from the top of the fireplace. Grab onto the knockouts with pliers and bend them back-and-forth until the remaining tabs break free. Discard the knockout plates.

**Layer 2**

- 3 In each of the now exposed holes you will find cover plates held in place with (2) 1/4" screws. Use a nut driver or drill with an extension to remove the (2) screws. Reach in and remove the cover plates. You may discard the plates after removal.

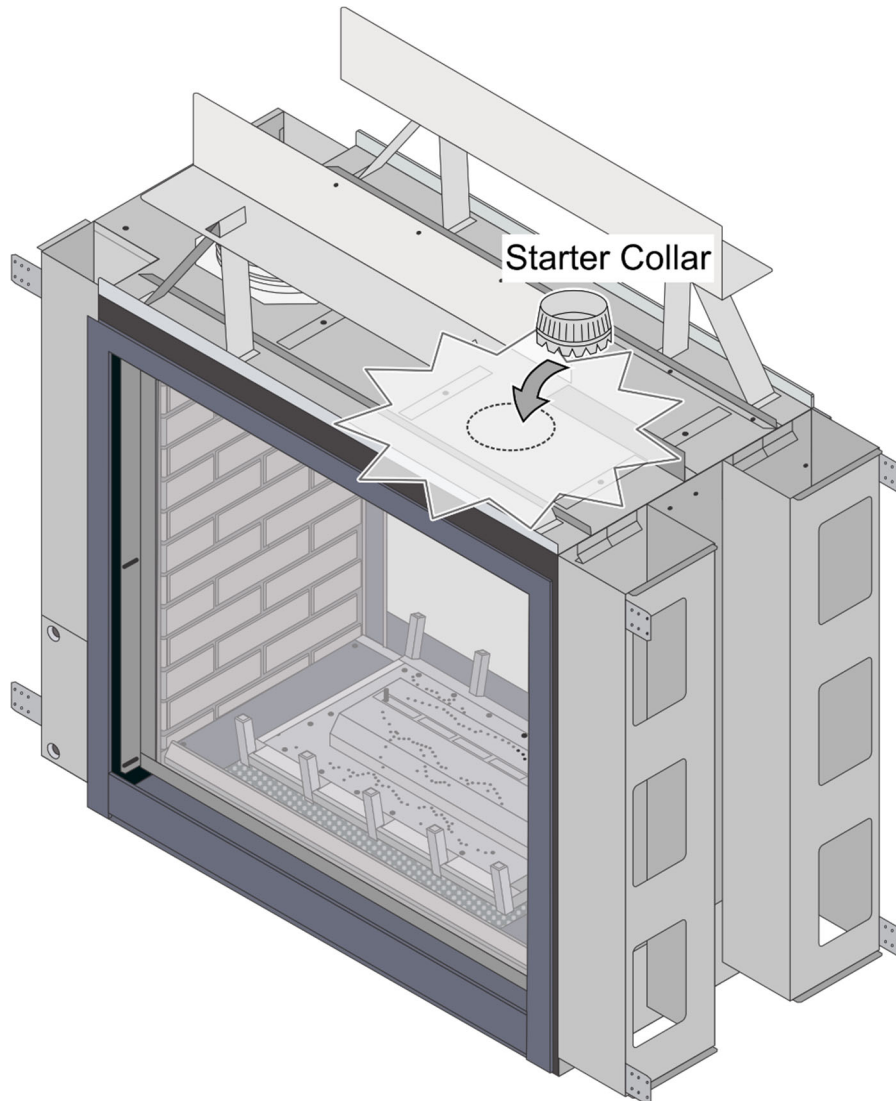
**Layer 3**

- 4 In the holes exposed by the removal of the cover plates in step 3 you will find (2) smaller circular cover plates held in place with (2) 1/4" screws. Remove the screws, reach in and remove the cover plates. You may discard the plates.

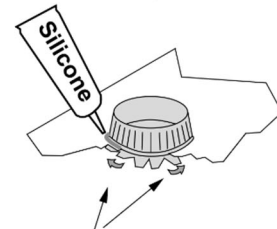




- 5 Insert a starter collar into each of the (2) holes that were uncovered in the previous step and bend the tabs to secure the starter collar to the fireplace. Seal the joints with silicone caulk or aluminum (U.L. 181A-P) tape.



Use silicone to seal the starter collar to the top of the fireplace.



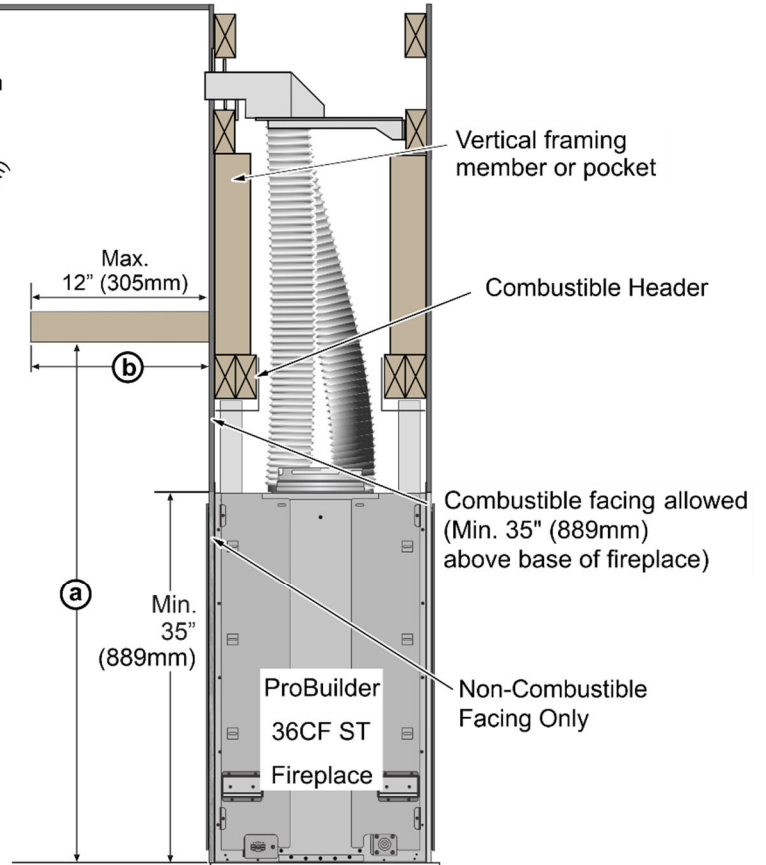
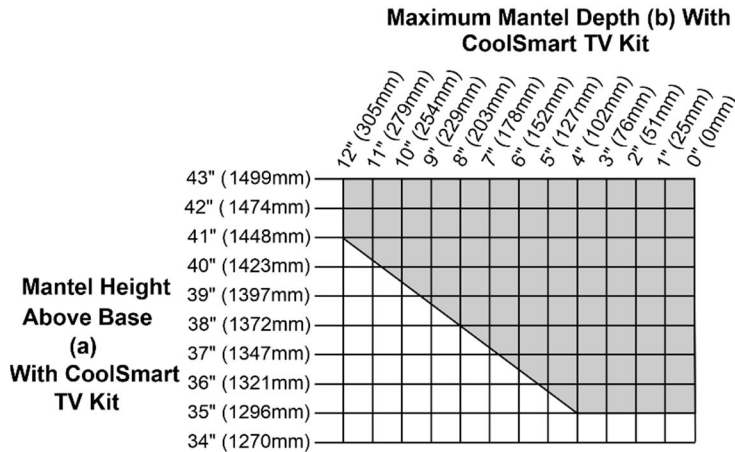
Bend the tabs on the bottom of the starter collar up to lock it in place.

- 6 Install the fireplace into the framed chase.

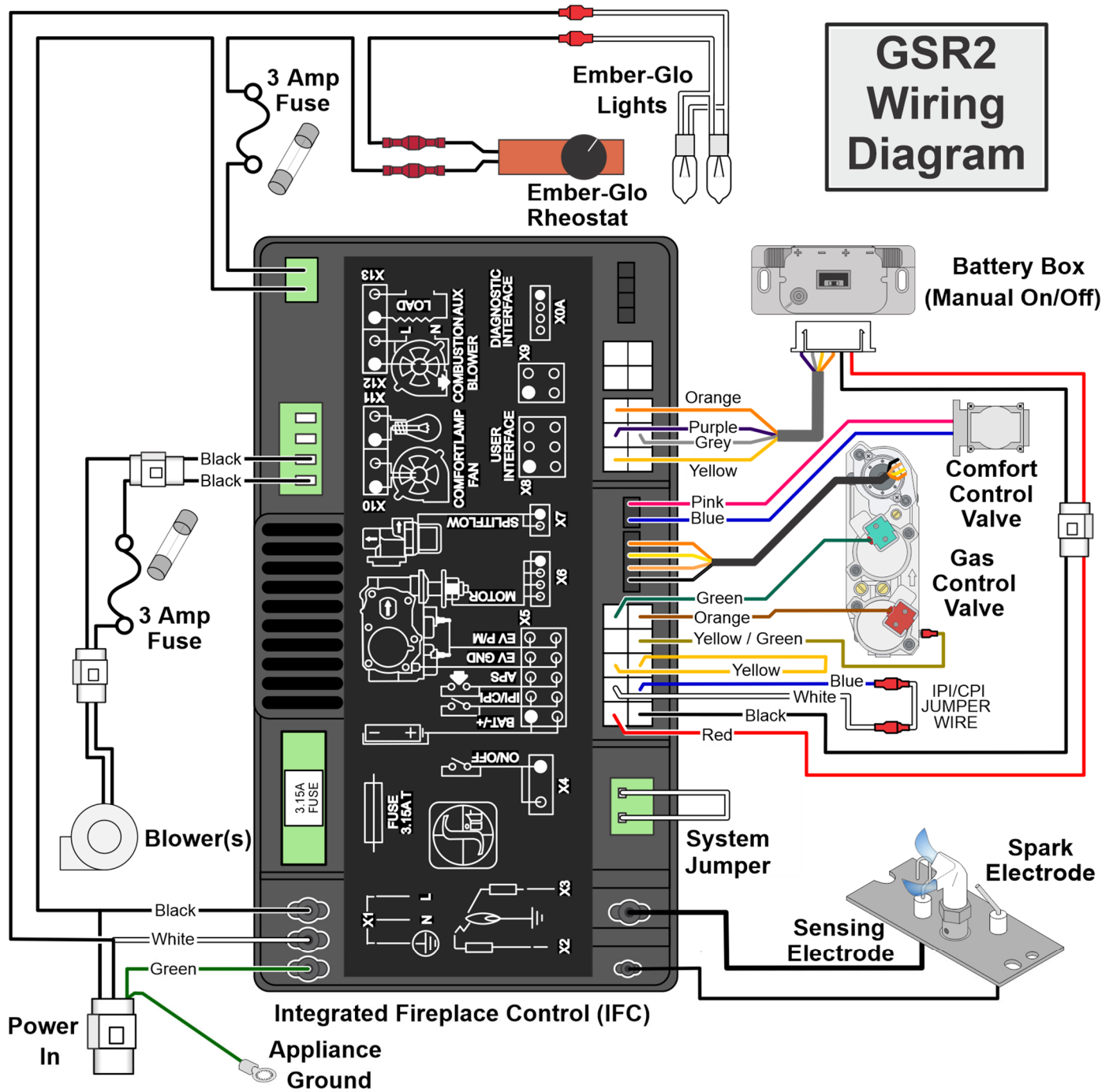
**PB 36CF ST- Reduced Mantel Height**

When using this kit, disregard the combustible mantel requirements in the manual and follow the requirements shown to the right. If you wish to place a TV above the mantel, it must meet the following requirements:

- Minimum 1" air gap behind the TV to the wall.
- The mantel must extend 2" in front of the TV and 1" to both sides.



Wiring Diagram



## Index

Additional Items Required .....	7	LP Conversion Instructions .....	63
Air Shutter Adjustment .....	45	Mantel Column Clearances .....	42
Altitude Considerations .....	24	Mantel Requirements .....	42
Approved Termination .....	24	Masonry Chimney Conversions .....	31
Approved Vent .....	24	Massachusetts Requirements .....	8
Approved Vent Configurations .....	26	Minimum Framing Dimensions .....	11
Barrier Screen Visual Deflector Adjustment.....	50	Nailing Brackets .....	16
Centering the Fireplace .....	14	Outdoor Fireplace Installations .....	20
Class A Chimney Conversion .....	32	Packing List.....	7
CoolSmart TV.....	69	Pilot Fuel Conservation Timer (GSB & GSR units).....	47
Diffuser Plate Adjustment.....	27	Recommended Installation Procedure .....	7
Dimensions .....	6	Removing the Shipping Brackets.....	14
Electrical Connection .....	23	Rock Wool Placement .....	59
Ember bed Glass and Ember Material Installation .....	61	Safety Warnings.....	4
Facing Requirements.....	36	Side Vent Configuration with Horizontal Termination (no vertical rise).....	28
Finalizing the Installation .....	44	Standard vs. Extended Position.....	37
Fireback Installation .....	66	Televisions .....	10
Fireplace Placement Requirements.....	9	Termination Requirements .....	33
Gas Connection .....	22	Thick Facing Guide .....	38
Gas Line Requirements .....	21	Vent Clearances .....	24
Glass Frame Removal and Installation .....	48	Vent Configuration Horizontal Termination .....	29
Header Standoff & Shield Installation .....	12	Vertical Termination .....	30
Hearth Requirements .....	34	Vent Firestop.....	24
Heating Specifications.....	6	Vent Requirements .....	24
Installation Options.....	6	Vinyl Flooring Hearth Recommendations .....	35
Installing Centering Brackets .....	15	Wiring Diagram .....	75
Location of Controls .....	46		
Log Set Installation.....	51		