

GRILLS AND ACCESSORIES

DELTA HEAT COLLECTION

OUTDOOR COOKING AT HOME



 **DOMETIC** HOME



READY FOR THE WEEKEND

Welcome to Dometic Delta Heat

We understand that the right features, exceptional performance and longevity are important to you. We also understand that style and design are key factors when selecting your outdoor appliances. Every Delta Heat product comes with an unmistakable appeal that meets and exceeds these requirements. After all, your home is a reflection of your personal style. Your grill and outdoor kitchen should not be an exception.



Grills and Accessories
**DELTA HEAT
GAS GRILLS**



Dometic Delta Heat 38 Gas Grill. Also available in 26 and 32 inch models. Suitable for built-in or free-standing application (base sold separately)

MASTER THE ART OF GRILLING

The Dometic Delta Heat Gas Grill is a fully featured, exceptionally designed product that provides everything you need to master the art of grilling. Available in three sizes to suit your outdoor kitchen project. Each grill is the beneficiary of decades of gas engineering excellence and an eye to design. The result is a grilling solution that gets the job done, every time.



Introducing the ALL-NEW
**DELTA HEAT
PIZZA OVEN**

ELEVATE PIZZA NIGHT TO NEW HEIGHTS

Impeccable design and construction, coupled with incredible convenience and reliability – with the results to match. No detail has gone unnoticed. Independently controlled burners for both hearth and dome allow for precision temperature control to suit the

requirements of your cook. Capable of extremely high temperature that make artisan pizza in minutes. Inset glass doors create a beautiful presentation. The Dometic Delta Heat Pizza Oven is available in either built-in or countertop application.





COOKING ACCESSORIES

Expand your outdoor cooking capabilities with one of our specialty cooking accessories such as the Power Burner, Teppanyaki, or a side burner combination of your choice.



Dometic Delta Heat Teppanyaki

32 inch flat top griddle



Dometic Delta Heat Power Burner

22 inch commercial grade outdoor burner



Dometic Delta Heat Side Burner

Built-in outdoor side burner
*Available in single or double burner

ACCESS DOORS AND DRAWERS

PART NO.	DHAD22	DHAD16/18/24	DHAD26/30/32/36/38/42	DHSD132
Model Name	Dometic Delta Heat DHAD22	Dometic Delta Heat DHAD16/18/24	Dometic Delta Heat DHAD26/30/32/36/38/42	Dometic Delta Heat DHSD132
Product Description	Horizontal single Access Door	Single Access Door	Double Access Door	13 inch double access drawers
Product Dimensions				
Width (inch)	22	16 / 18 / 24	26 / 30 / 32 / 36 / 38 / 42	13
Height (inch)	16.25	22.25 / 20.75 / 20.75	20.75	20.75
Depth (inch)	n/a	n/a	n/a	20.75
Cutout Dimensions				
Width (inch)	20.25	14.25 / 16.25 / 22.25	24.25 / 28.25 / 30.25 / 34.25 / 36.25 / 40.25	12.125
Height (inch)	14.25	22.25 / 19 / 19	19	19
Material	304 Stainless Steel			

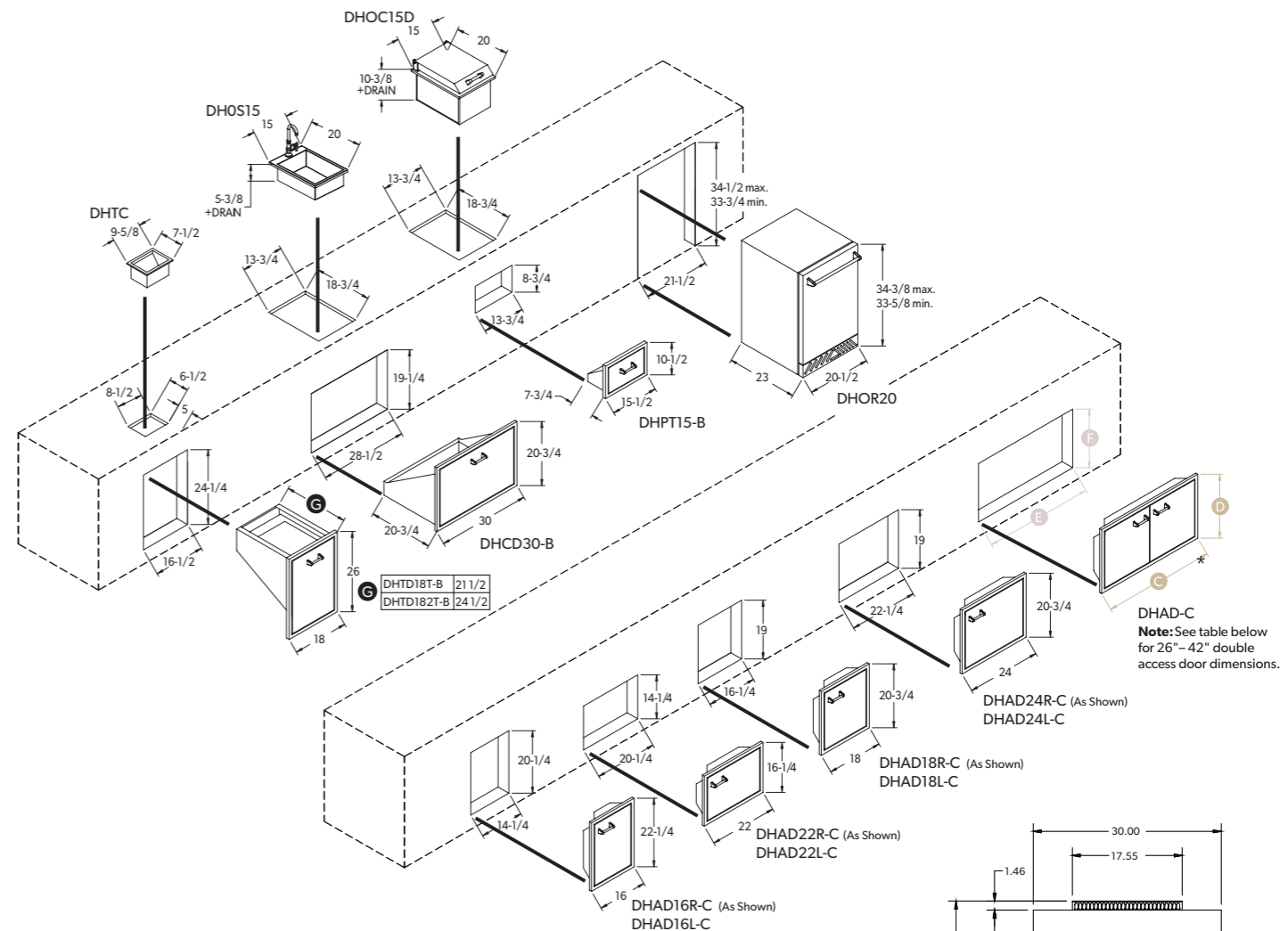
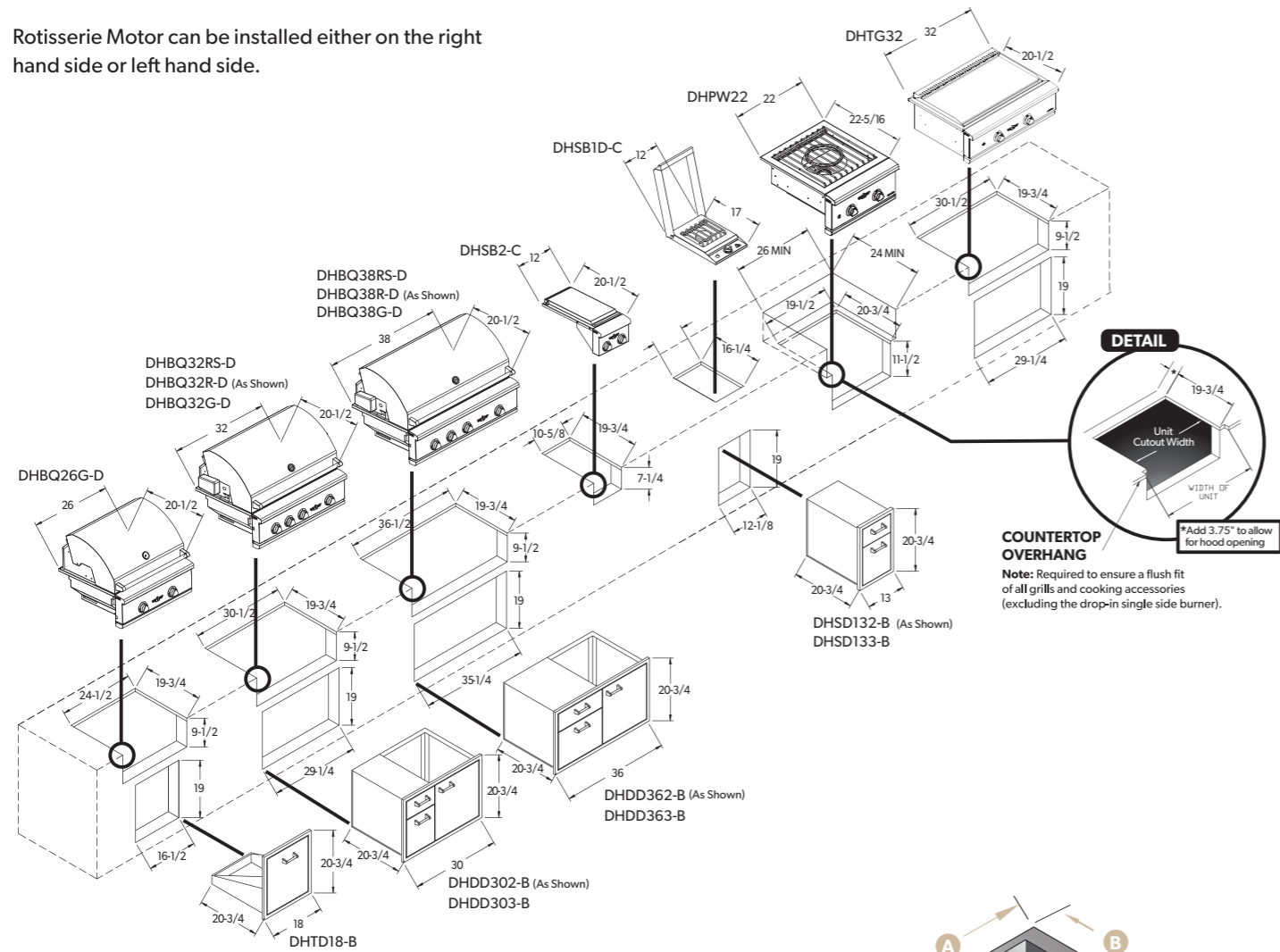
PART NO.	DHSD133	DHDD302/362	DHDD303/363	DHTD18
Model Name	Dometic Delta Heat DHSD133	Dometic Delta Heat DHDD302/362	Dometic Delta Heat DHDD303/363	Dometic Delta Heat DHTD18
Product Description	13 inch triple access drawers	Access door with two drawer combo	Access door with three drawer combo	18 inch trash/tank drawer
Product Dimensions				
Width (inch)	13	30 / 36	30 / 36	18
Height (inch)	20.75	20.75	20.75	20.75
Depth (inch)	20.75	20.75	20.75	20.75
Cutout Dimensions				
Width (inch)	12.125	29.25 / 35.25	29.25 / 35.25	16.50
Height (inch)	19	19	19	19
Material	304 Stainless Steel			

PART NO.	DHTD18T	DHTD182T	DHTC	DHPT15
Model Name	Dometic Delta Heat DHTD18T	Dometic Delta Heat DHTD182T	Dometic Delta Heat DHTC	Dometic Delta Heat DHPT15
Product Description	18 inch tall trash drawer with trash can	18 inch tall double trash drawer with trash cans	Accessory trash chute	15 inch paper towel holder
Product Dimensions				
Width (inch)	18	18	9.6	15.50
Height (inch)	26	26	n/a	10.50
Depth (inch)	21.50	24.50	7.5	7.75
Cutout Dimensions				
Width (inch)	16.50	16.50	8.5	13.75
Height (inch)	24.25	24.25	6.5	8.75
Material	304 Stainless Steel			

CUTOUT DIMENSIONS

Allow minimum of 3" clearance from the grill's rear edge (3.75" from cutout) to the backsplash to allow hood to fully open.

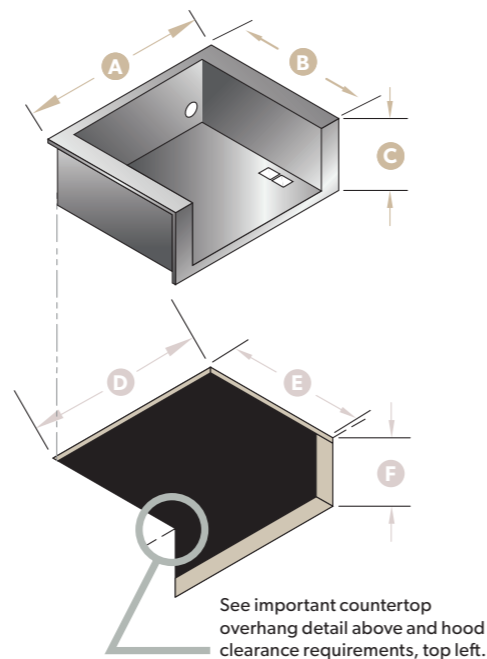
Rotisserie Motor can be installed either on the right hand side or left hand side.



INSULATING JACKETS

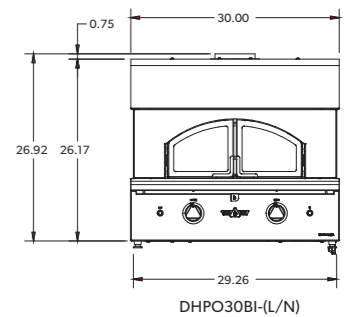
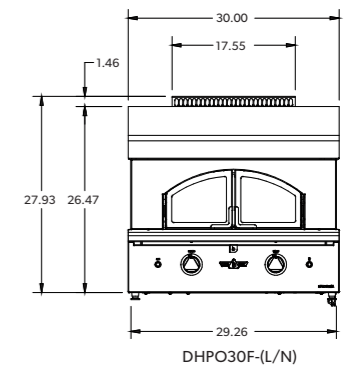
- Stainless steel construction
- Polished stainless steel trim
- For installation in combustible construction

MODEL NUMBER	OVERALL DIMENSIONS			CUTOUT DIMENSIONS		
	A WIDTH	B DEPTH	C HEIGHT	D WIDTH	E DEPTH	F HEIGHT
DHIJ22	25-7/8"	23-1/2"	13"	24"	22-1/2"	12-1/2"
DHIJ26	30-7/8"	22-1/4"	11"	29"	21-1/2"	10-1/2"
DHIJ32	36-7/8"	22-1/4"	11"	35"	21-1/2"	10-1/2"
DHIJ38	42-7/8"	22-1/4"	11"	41"	21-1/2"	10-1/2"



*DHAD-C – DOUBLE ACCESS DOORS

MODEL NUMBER	OVERALL DIMENSIONS		CUTOUT DIMENSIONS	
	C WIDTH	D HEIGHT	E WIDTH	F HEIGHT
DHAD26-C	26	20 3/4	24 1/4	19
DHAD30-C	30	20 3/4	28 1/4	19
DHAD32-C	32	20 3/4	30 1/4	19
DHAD36-C	36	20 3/4	34 1/4	19
DHAD38-C	38	20 3/4	36 1/4	19
DHAD42-C	42	20 3/4	40 1/4	19



DOMETIC DELTA HEAT

13259 East 166th Street
Cerritos, CA 90703
Tel 800 789 2206

DELTAHEAT.COM

