



NEXGEN-FYRE™ MEDIUM  
FLUSH WOOD BURNING INSERTS  
ARCHED DOOR



**2020 EPA  
CERTIFIED**

*Shown with the Wilmington™ Face, seamless one-piece panel and Insert Wiring kit.*



Shown with the Classic Arch™ Face, seamless one-piece panel and Insert Wiring kit.

## Premium Flush Wood Inserts from the Biggest Innovator in Fire

The Medium Flush NexGen-Fyre™ Wood Insert converts a wasteful masonry or zero clearance fireplace into an excellent heat source that can provide reliable warmth at a fraction of the cost of electricity or oil. With a three-sided convection chamber and standard 180 CFM convection fan, this insert is designed to deliver the maximum heat output from the wood you burn due to our advanced NexGen-Fyre™ technology. This insert features a sleek, flush design and is created out of the highest quality materials to last for years to come.

## Featuring NexGen-Fyre™ Technology

NexGen-Fyre™ takes our non-catalytic wood burning technology to the next level! With NexGen-Fyre™, primary and secondary combustion are harnessed to create the ultimate blended combustion system. This produces beautiful, balanced fires with double the BTU range, up to 50% greater heat output, and longer burn times than any other non-catalytic technology.

2.45 Grams/Hr. Cord Wood*	Overall Heating Efficiency* 72.2%	Heating Capacity Up to 2,000 Sq. Ft. <i>May vary depending on degree of home insulation, floor plan and ambient temperature zone of the area you live.</i>	15,853 to 55,395 BTU's/Hr. with Cord wood** <i>BTU's will vary depending on fuel type, moisture content and atmospheric conditions.</i>	Up to 10 Hour Maximum Burn Time With Cord Wood	2.2 Cubic Foot Firebox
------------------------------	--------------------------------------	--	--	---	---------------------------

\* HHV, as tested using B-415.1 using Cord Wood

\*\* EPA tests to determine BTU output are achieved with a single load of wood at each burn rate. At home, you are likely to add more wood to your insert to maintain your desired comfort level. By the simple process of loading your fireplace insert with additional wood, you could achieve up to a 20% higher heat output than established during EPA testing.

## Features

- Accommodates 24" logs.
- Heavy gauge 5/16" & 1/4" steel plate construction.
- Glass viewing area: 22 1/2" W x 10" H. (226 sq. in.)
- Weight: 450 lbs. (200 kg).
- Approved for masonry and zero clearance fireplaces.
- Heavy-duty masonry lined firebox for enhanced heat transfer.
- High temperature ceramic safety glass.
- A wood moisture meter comes free with this insert, allowing you to test your wood to ensure it is dry and will burn efficiently.
- Optional adjustable offset adapter allows for installation into fireplaces with limited space.
- Optional Insert Wiring Kit allows for a hard-wire connection within the firebox, eliminating the convection fan power cord running across the hearth.
- Optional GreenStart® Igniter makes starting your fire as easy as a push of a button.

## Surround Panels

Designed to finish off the fireplace opening behind the face. These panels come in two sizes.

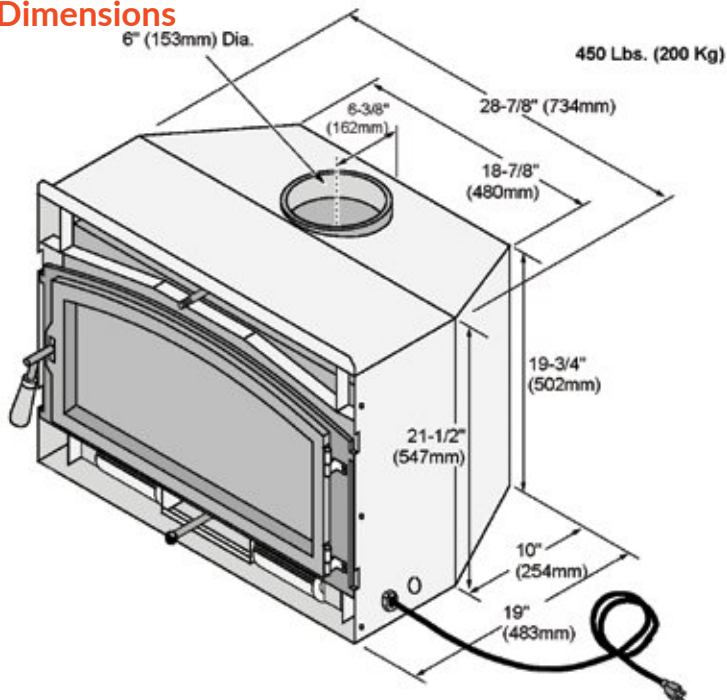
42" wide x 30-1/2" height

44" wide x 34" height

Optional panel trim is available for these panels to reduce depth into firebox by 1-1/4".

Custom sized rectangular and arched one-piece panels are also available through your local Fireplace Xtrordinair® or Lopi® dealer.

## Dimensions



## Face Options



*Classic Arch™ Face*  
33-1/4" W x 23-3/4" H



*Wilmington™ Face*  
33-3/8" W x 23-1/4" H

## Chimney Venting

The Medium Flush Wood Insert requires a complete chimney relining of the existing chimney system. There are liner kits available for both masonry and zero clearance fireplaces (15', 25' and 35' kits).

These kits include a 6" stainless steel flex chimney, insert to chimney adapter, and factory built termination components to finish off the top of your existing chimney.

# Installation Specifications

Always refer to the Owner's Manual for complete installation information.  
See Owner's Manual for complete hearth and R Value requirements and clearances

## Minimum Fireplace Requirements

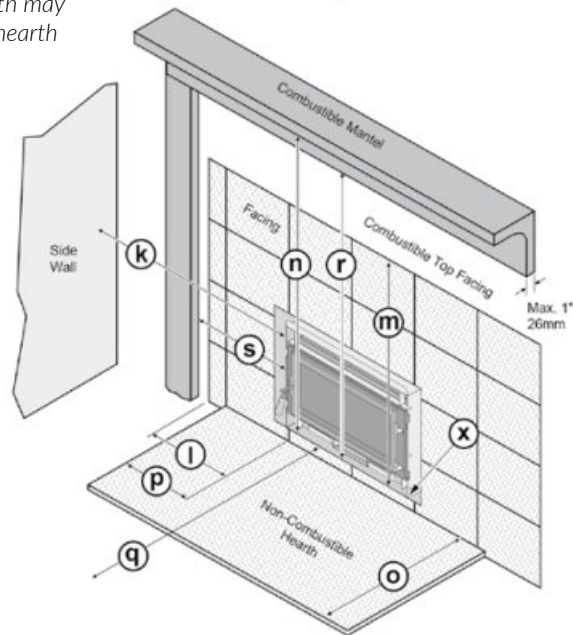
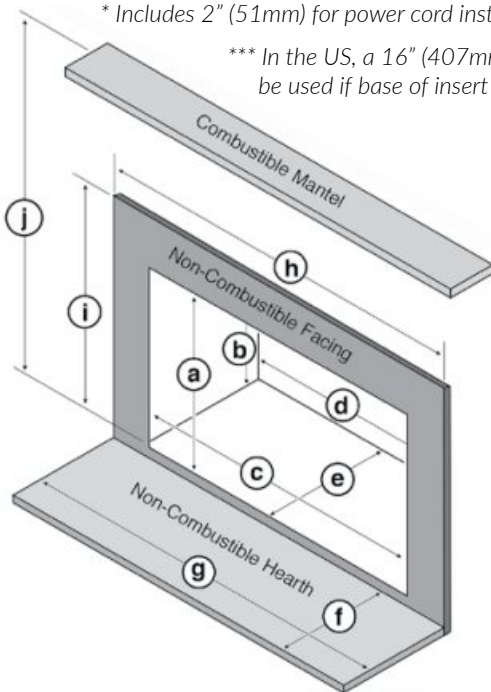
A - Height (Front)	21-1/2" (547mm)
B - Height (Rear)	19-3/4" (502mm)
C - Width (Front)*	30-7/8" (785mm) Masonry, 30-7/8" (785mm) ZC**
with GreenStart® Igniter	36-7/8" (937mm), measured 3" from front opening
D - Width (Rear)	18-7/8" (480mm) Masonry, 20-7/8" (531mm) ZC**
E - Depth	19" (483mm) Masonry, 20" (508mm) ZC**
Depth with 1-1/4" Trim	17-3/4" (451mm) Masonry, 18-3/4" (457mm) ZC)**
F - Hearth Depth	16" US (407mm), 18" CAN (458mm)
G - Hearth Width	44-7/8" (1140mm)
H - Facing Width	46-7/8" (1191mm) Masonry and ZC
I - Facing Height	39" (991mm) Masonry and ZC
J - Mantel Height	41-1/2" (1055mm) Masonry and ZC

## Minimum Clearances to Combustibles

K - Sidewall To Insert	9" (229mm)
L - Side To Facing	9" (229mm)
M - Top Facing	39" (991mm)
N - Mantle	41-1/2" (1055mm)
O - Front Hearth	16" US (407mm), 18" CAN (458mm)
P - Side Hearth	8" (204mm)
Q - Front of Insert	39" (991mm)
R - Mantel Breastplate	N/A
S - Mantel Column	9" (229mm)
X - Extension onto Hearth	0"

\* Includes 2" (51mm) for power cord installation. \*\*1" (26mm) Clearance to fireplace walls is required for ZC Fireplaces.

\*\*\* In the US, a 16" (407mm) non-combustible hearth may be used if base of insert is 2" (51mm) above the hearth



## 7-Year "Real World" Warranty

Our 7-Year Warranty offers more protection on key components than the so-called "Limited Lifetime" warranties of our competitors.

YEARS 1-2: All parts and labor on your wood burning appliance, including blower and one-way freight allowance.

YEARS 3-5: All parts and labor on the firebox, door assembly, air control assemblies and one-way freight allowance.

YEARS 6-7: Parts only on firebox, door and air control assemblies

Fireplace Xtordinaire® and Lopi® build inserts to last a lifetime. We'll stand behind the quality and performance of our products year after year because that's the way we do business – and you don't have to read the fine print for your peace of mind.

Find your favorite fire today by visiting: [www.TravisIndustries.com](http://www.TravisIndustries.com)



Manufactured in  
Mukilteo, WA  
By Travis Industries

