

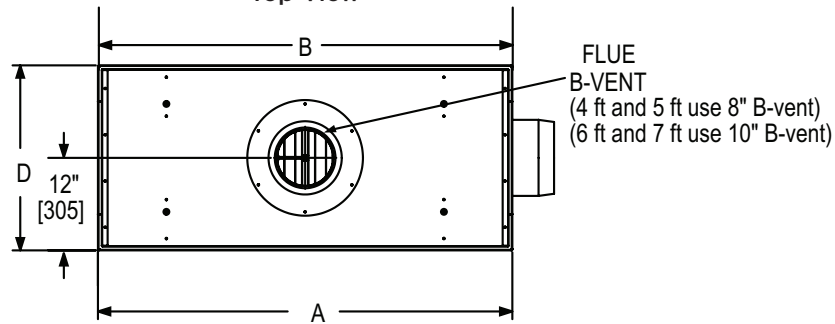


Please consult the manufacturer's installation manual for all details and requirements before making a final design layout decision.

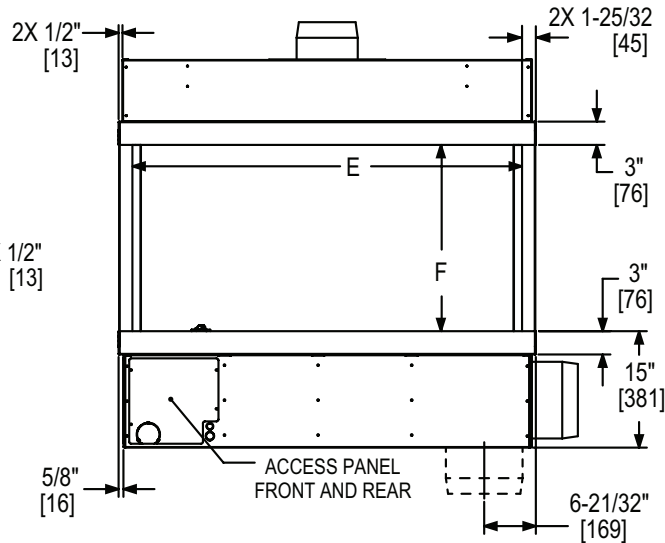
FOUNDATION
SEE-THROUGH LUXURY GAS FIREPLACES

MODEL	FRONT WIDTH (A)		BACK WIDTH (B)		HEIGHT (C)		DEPTH (D)		GLASS SIZE (E x F)
	Actual	Framing	Actual	Framing	Actual	Framing	Actual	Framing	
FDN-4-ST	53-3/4" [1,365]	55-3/4" [1,416]	53-3/4" [1,365]	55-3/4" [1,416]	50" [1,270]	56" [1,422]	24" [610]	23" [584]	50-3/16" x 24" [1,275 x 610]
FDN-5-ST	65-3/4" [1,670]	67-3/4" [1,721]	65-3/4" [1,670]	67-3/4" [1,721]	50" [1,270]	56" [1,422]	24" [610]	23" [584]	62-3/16" x 24" [1,580 x 610]
FDN-6-ST	77-3/4" [1,975]	79-3/4" [2,026]	77-3/4" [1,975]	79-3/4" [2,026]	50" [1,270]	56" [1,422]	24" [610]	23" [584]	74-3/16" x 24" [1,884 x 610]
FDN-7-ST	89-3/4" [2,280]	91-3/4" [2,330]	89-3/4" [2,280]	91-3/4" [2,330]	50" [1,270]	56" [1,422]	24" [610]	23" [584]	86-3/16" x 24" [2,189 x 610]

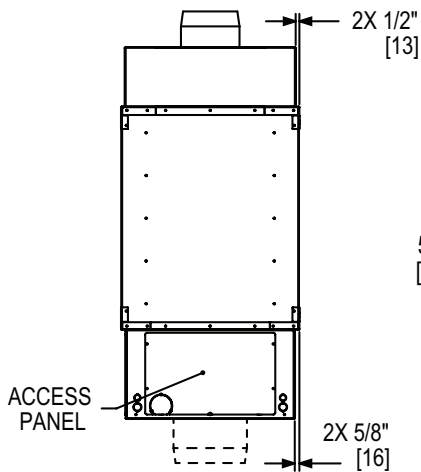
Top View



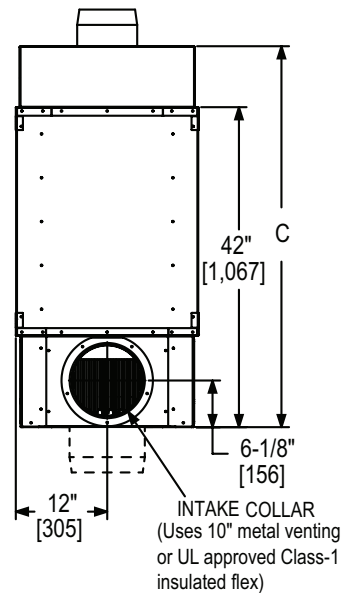
Front View



Left View

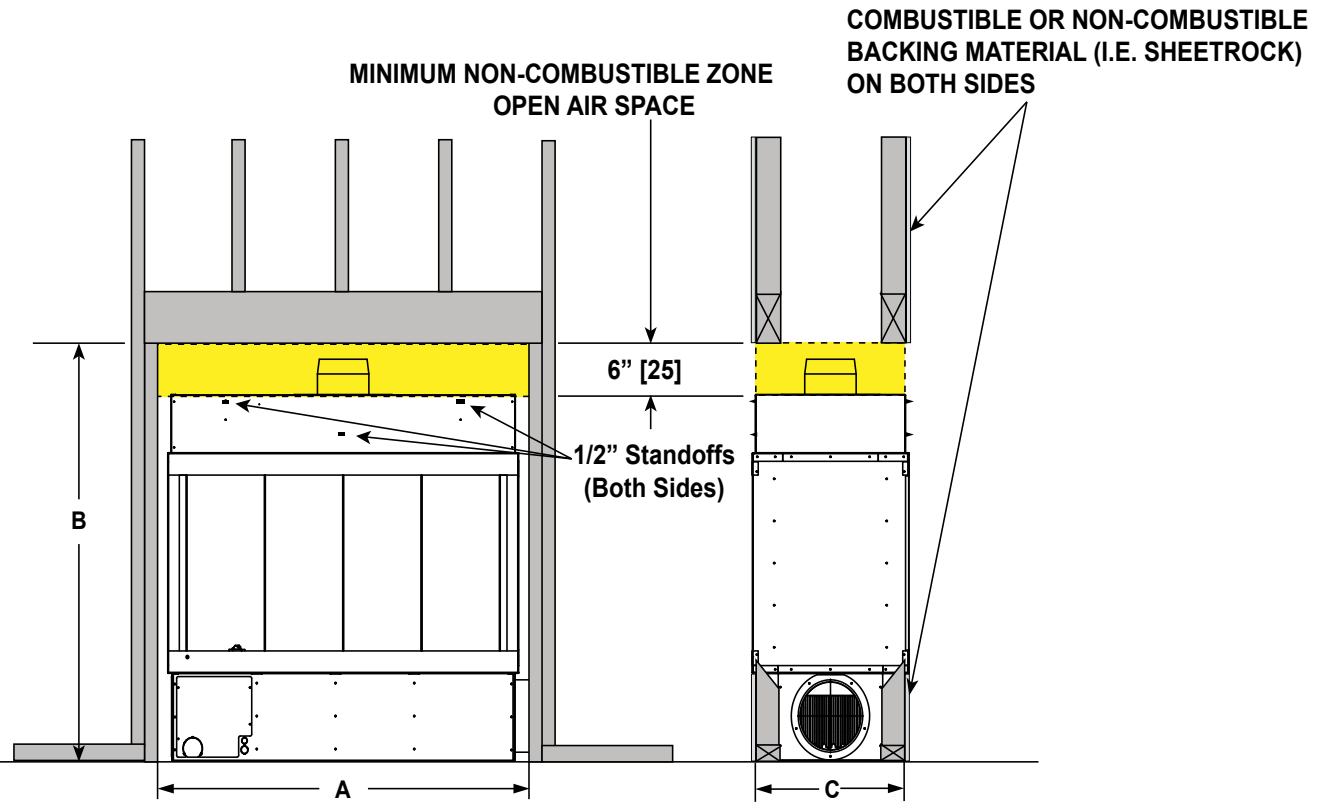


Right View



FRAMING DIMENSIONS

IMPORTANT: FIREPLACE IS NOT LOAD-BEARING.



SEE THROUGH			
Model #	A	B	C
FDN-4-ST	55-3/4" [1,416]	56" [1,422]	23" [584]
FDN-5-ST	67-3/4" [1,721]	56" [1,422]	23" [584]
FDN-6-ST	79-3/4" [2,026]	56" [1,422]	23" [584]
FDN-7-ST	91-3/4" [2,330]	56" [1,422]	23" [584]

IMPORTANT FRAMING NOTES:

FRAMING SHOULD BE BUILT AFTER THE FIREPLACE IS INSTALLED OR EXTRA CLEARANCE MUST BE PLANNED FOR AT THE INTAKE COLLAR AND FOR THICKNESS OF MATERIALS USED.

FRAMING DIMENSIONS ASSUMING 1/2" [13] DRYWALL AND NON-COMBUSTIBLE BOARD USED.

THESE DIMENSIONS REPRESENT THE FRAMING DIMENSIONS FOR COMBUSTIBLE MATERIAL.

NON-COMBUSTIBLE FRAMING AND FINISHING MATERIALS MAY BE USED WITHIN THESE DIMENSIONS RIGHT UP TO THE UNIT.

NO COMBUSTIBLE MATERIAL WITHIN 6" [152] OF THE TOP OF THE FIREPLACE.

NO COMBUSTIBLE MATERIAL WITHIN 1" [25] OF THE SIDES OF THE FIREPLACE.

COMBUSTIBLE MATERIAL SHALL NOT BE PLACED DIRECTLY ON THE FACE OF THE FIREPLACE, TOP AND SIDES.

STEEL SURFACE MAY BE COVERED WITH NON-COMBUSTIBLE FINISHING MATERIAL.

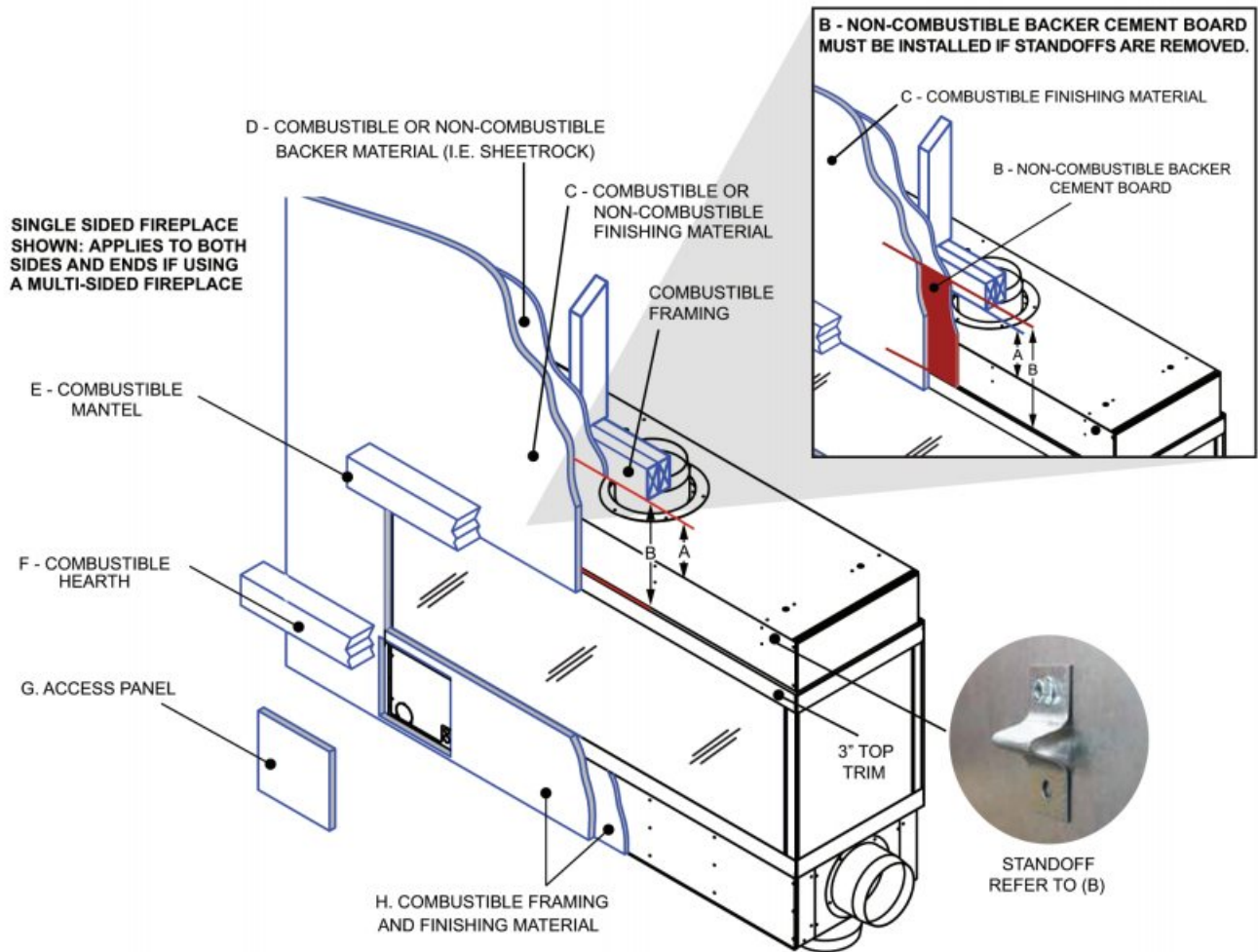
1" [25] CLEARANCE TO THE B-VENT MUST BE MAINTAINED.

APPROVED VENTING

MODEL #	DESCRIPTION	B-VENT	OUTSIDE AIR	EXTERNAL POWER VENT	IN-LINE POWER VENT	VAC	AMP	KW
FDN-4-ST	4X2 SEE THROUGH	8"	10"	PVK-45	PVI-45	120	5.8	.35
FDN-5-ST	5X2 SEE THROUGH	8"	10"	PVK-45	PVI-45	120	5.8	.35
FDN-6-ST	6X2 SEE THROUGH	10"	10"	PVK-67	PVI-67	120	5.8	.35
FDN-7-ST	7X2 SEE THROUGH	10"	10"	PVK-67	PVI-67	120	5.8	.35

CLEARANCES TO COMBUSTIBLES - WITH AND WITHOUT PROVIDED STANDOFFS

WARNING! Risk of Fire! DO NOT apply combustible materials beyond the minimum clearances. Comply with all minimum clearances to combustibles as specified in this manual.



IMPORTANT: NEVER COVER THE GLASS WITH FINISHING MATERIALS

- A. No combustible materials may be within 6" [152mm] of the top of the fireplace.
- B. 1/2" [12.7] CLEARANCE TO COMBUSTIBLES ON SURFACE. The fireplace ships with standoffs in place to ensure a 1/2" clearance to combustibles is maintained on the surface. If the standoffs are removed, only non-combustible material can be installed against the surface of the fireplace such as a non-combustible backer cement board. 1/2" [12.7mm] minimum thickness must be used in the 15" [381mm] between the top of the 3" trim to the combustible framing the full width of the fireplace. The 15" includes a 7" [178mm] minimum above above the top of the fireplace that is recommended for ease of attachment.
- C. Combustible material may cover the non-combustible area mentioned in B.
- D. Combustible finishing materials allowed.
- E. Combustible or Non-Combustible mantel may be placed above the top of the glass viewing area. There are no restrictions on mantel depth.
- F. Combustible hearth may be placed below the bottom of the glass viewing area.
- G. Flat covers will cover the components access. Gas and electric inlets are located behind this panel. There are four access panel options all located on the pilot side of the fireplace; front (shown above), side, back and inside behind the glass.
Please take consideration of which option will be used to access the components for service later during planning.
- H. Combustible framing and finishing materials allowed.

PRODUCT LISTING CODES	
US	ANSI Z21.50-2016
CAN	CSA 2/22-2016



Product information provided is not complete and is subject to change without notice. Product installation must adhere strictly to instructions accompanying product to avoid risk of fire and potential injury.

HNG/FOUNDATION-ST_0419



No one builds a better fire

Lakeville, MN Web: heatnglo.com
Phone: 888-427-3973 952-985-6000