

PREMIUM WOOD BURNING FIREPLACES


FIREPLACE

XTRORDINAIR



ALL
MODELS
EPA
CERTIFIED

Reimagine the (HEART)H of Your Home

CATALYTIC TECHNOLOGY

All Fireplace Xtrordinair™ wood fireplaces use state of the art catalytic technology. This allows our large capacity wood fireplaces to produce highly efficient, clean fires in all burn settings. This bulletproof technology achieves roaring fires with super-long burn times and very high BTUs ranges, making it the perfect system for these powerhouse home heaters.



The 44 Elite™ is shown with the Classic Arch™ double door face.



Meet the Peak of Wood Fireplace Design

Explore the 42 Apex NexGen-Hybrid™

Page 4

42 Apex NexGen-Hybrid™

Page 6

Powerhouse Heaters, Elegant Style

Elite™ Fireplaces are More than just a Name

Page 10

36 Elite™

Page 12

44 Elite™

Page 14

Custom Shop Faces

Page 18

How They Work

The 42 Apex NexGen-Hybrid™ Model

Page 20

The Elite™ Models

Page 21

Framing

42 Apex NexGen-Hybrid™ Fireplace Framing

Page 22

Elite™ Fireplace Framing

Page 23

Meet the Peak of Wood Fireplace Design

Explore the 42 Apex NexGen-Hybrid™

The 42 Apex NexGen-Hybrid™ Wood Fireplace delivers natural convection heat efficiently throughout your home and offers a sleek, rectangular door and viewing area. This fireplace features flexible installation parameters that allow for easy installation virtually anywhere in your home. It also includes the optional GreenStart™ Igniter that starts your fire with the push of a button! This model is ideal for new construction, remodels, or a tear-out replacement of your existing fireplace.



The 42 Apex NexGen-Hybrid™ is shown with the Metropolitan™ face.

42 Apex NexGen-Hybrid™

The 42 Apex NexGen-Hybrid™ is designed to deliver high-performance, clean-burning heat while showcasing a spectacular view of the fire. Express your personal style with one of the three designer faces, like the Custom Shop hand-crafted Timberline™ to the right.

- Heating Capacity:* Up to 2,500 square feet
- Maximum Burn Time: Up to 12 hours
- Log Length: 24"
- EPA Tested BTU Range:** 7,660 to 40,275 BTUs/Hr (Crib Wood)
- Maximum BTU Output: 13,537 to 49,626 BTUs/Hr (Cord Wood)
- Emissions:** 1.2 grams/particulate per hour
- Overall Efficiency: Up to 77.2%
- Firebox: 3.5 cubic feet
- Weight: 808 Lbs.
- Viewing Glass: 25-5/8" W x 12-7/8" H

* Heating capacity may vary depending on degree of home insulation, floor plan and ambient temperature zone of the area you live.

** This heater meets the 2020 U.S. EPA's crib wood emission limits for wood heaters.
Tested to ASTM E2780-10, ASTM 2515-11, CSA B415.1-10

**THIS MODEL QUALIFIES FOR THE USA ENERGY TAX CREDIT
UP TO \$2,000 OF THE PURCHASE PRICE, VENTING, AND INSTALLATION COST
ASK YOUR DEALER FOR DETAILS**



The 42 Apex NexGen-Hybrid™ is shown with the Timberline™ face

A FACE FOR EVERY SPACE

The 42 Apex NexGen-Hybrid™ fireplace has three faces designed to enhance your personal architectural style:



UNIVERSAL™

Timeless motif for enduring elegance will complement decades of changing styles.



METROPOLITAN™

Detailed grill work exuding alluring curves which effortlessly blends with other classic design elements.



TIMBERLINE™

Hand-crafted with exemplary artistry and pairs well with bold statement pieces. Each individual face takes more than 10 hours to forge.

MULTI-USE TOOL

Your 42 Apex NexGen-Hybrid™ comes with a useful tool that allows you to adjust your air control, open and close your bypass damper, and access the loading door without the risk of accidentally touching the hot surface of the fireplace.



IN-WALL CONTROL CENTER

The 42 Apex NexGen-Hybrid™ fireplace features an In-Wall Control Center, the first in the industry to combine a digital catalytic temperature readout and a slide rheostat for the standard fan. This user-friendly device combines your fireplace controls into one simple, sleek design and can easily be mounted and integrated into the wall.

With this wall control you have the ability to adjust the amount of heat being distributed into the room, understand when your fireplace is performing at optimum efficiency, and even start your fire with the push of a button!



1. The slide rheostat can be adjusted to maximize the heat output of your fan, or it can turn the fan completely off when low, gentle warmth is desired.
2. The digital temperature should read above 500 degrees Fahrenheit*, which means the catalytic combustor is engaged and you are burning a clean, efficient fire.
3. With the optional GreenStart® feature you simply load the wood and push a button to have a roaring fire in minutes!

*Fahrenheit temperature can easily be changed to Celsius.



Use your Smart Phone QR Reader to watch a video on the 42 Apex NexGen-Hybrid™ wood fireplace



PUSH-BUTTON STARTUP. THE GREATEST WOOD FIREPLACE OPTION EVER!

With a push of the GreenStart® button, super-heated air (1400°F) starts your 42 Apex NexGen-Hybrid™ in a New York minute. You can also use the GreenStart® Igniter when adding new wood or refreshing your fire after an overnight burn. Your fireplace door stays closed during startups; no more smoky starts, no more slow starts. Anyone can do it!





Powerhouse Heaters, Elegant Style

Elite™ Fireplaces Are More Than just A Name

More than two decades ago, the FireplaceX® Elite™ models brought about the Original Arched Fireplace, a trademark product shape of an arched door and parallel arched face. FireplaceX® Elite™ fireplaces use fresh air drawn from outside the home, for both combustion and heat transfer through a unique concept called “Posi-Pressure.” The arched design conceals the air intake and heat exchanger, while the arches have identified FireplaceX® to thousands of discerning homeowners all over North America. Only FireplaceX® creates such a beautiful, versatile look in a high BTU output fireplace.

The 36 Elite™ shown with single door and Classic Arch face.

36 Elite™

The 36 Elite™ is the perfect fireplace that meets all of your heating and design needs. This unit is made from heavy-gauge steel with unibody construction. It features a 388 CFM fan for Posi-Pressure heat distribution throughout your home. The spectacular display of fire to the right is framed with the Custom Shop Artisan™ single door face.

- Heating Capacity: Up to 2,500 square feet*
- Maximum Burn Time: Up to 10 hours
- Log Length: 24"
- EPA Tested BTU Range: 17,906 to 69,747
- "Real World BTUs": EPA tests to determine BTU output are achieved with a single load of wood at each burn rate. At home, you are likely to add more wood to your fireplace to maintain your desired comfort level. By the simple process of loading your fireplace with additional wood, you could achieve up to a 20% higher heat output than established during EPA testing.
- Emissions: 1.3 grams/particulate per hour (Cord Wood)
- Overall Efficiency:** Up to 72%
- Firebox: 3.0 cubic feet
- Weight: 590 Lbs.
- Viewing Glass: Double Door: 11-1/4" W x 14-1/2" H (each side)
Single Door: 25-1/4" W x 14-1/2" H

*Heating Capacity will vary with floor plan, insulation and outdoor temperature.

**Tested and certified using cord wood to the EPA protocol method B415.1-10, ASTM 3053.



The 36 Elite™ shown with Artisan™ single door and face.



44 Elite™

The 44 Elite™ has the largest firebox available in its class. The massive viewing area is sure to please in any great room. This unit is made from heavy-gauge steel with unibody construction and features a remote-mounted 388 CFM fan for Posi-Pressure heat distribution throughout your home. This transitional living space features the Custom Shop Artisan™ double door face.

- Heating Capacity:* Up to 3,000 square feet
- Maximum Burn Time: Up to 12 hours
- Log Length: 32"
- EPA Tested BTU Range: 12,947 to 78,046
- "Real World BTUs": EPA tests to determine BTU output are achieved with a single load of wood at each burn rate. At home, you are likely to add more wood to your fireplace to maintain your desired comfort level. By the simple process of loading your fireplace with additional wood, you could achieve up to a 20% higher heat output than established during EPA testing.
- Emissions: 1.8 grams/particulate per hour (cord wood)
- Overall Efficiency:** Up to 73%
- Firebox: 4.2 cubic foot
- Weight: 680 Lbs.
- Viewing Glass: Double Door 14-3/8" W x 18-1/4" H (each side)

*Heating Capacity will vary with floor plan, insulation and outdoor temperature.
**Tested and certified using cord wood to the EPA protocol method B415.1-10 ASTM 3053.

The Elite™ Models

NO FIREPLACE BURNS AS CLEAN AS A FIREPLACEX®

A source of heat for your home shouldn't be a source of pollution for our environment. FireplaceX® utilizes the latest catalytic technology to reduce emissions by 90% compared to conventional fireplaces. A catalytic combustor reduces the temperature at which smoke ignites, causing it to burn before it leaves the firebox. Unlike most fireplaces, the FireplaceX® Elite™ series surpasses the EPA's strict emissions standards for wood stoves.

UNMATCHED BEAUTY

The FireplaceX® Elite™ series is designed to meet your architectural needs by blending with the interior of your home rather than looking like an add-on.

The controls for the fan, air adjustment and damper are subtly incorporated in the face of the unit itself for easy access.

The standard heat-resistant finish for the doors and face is a rich metallic black. Your dealer can offer a wide assortment of decorative paint colors as well.

POSI-PRESSURE HEATING SYSTEM

One of the unique design features of FireplaceX® Elite™ fireplaces is that you can use fresh air which is drawn from outside the home for both combustion and heat transfer through a unique concept called "Posi-Pressure."

Posi-Pressure technology draws outside air into the cavity around the fireplace and heats it, then circulates it throughout the home via a quiet, remote blower. The heated air naturally "seeks out" and penetrates cold spaces, warming the entire home evenly while "sealing" cracks, leaks and other drafty spots by preventing cold air infiltration.

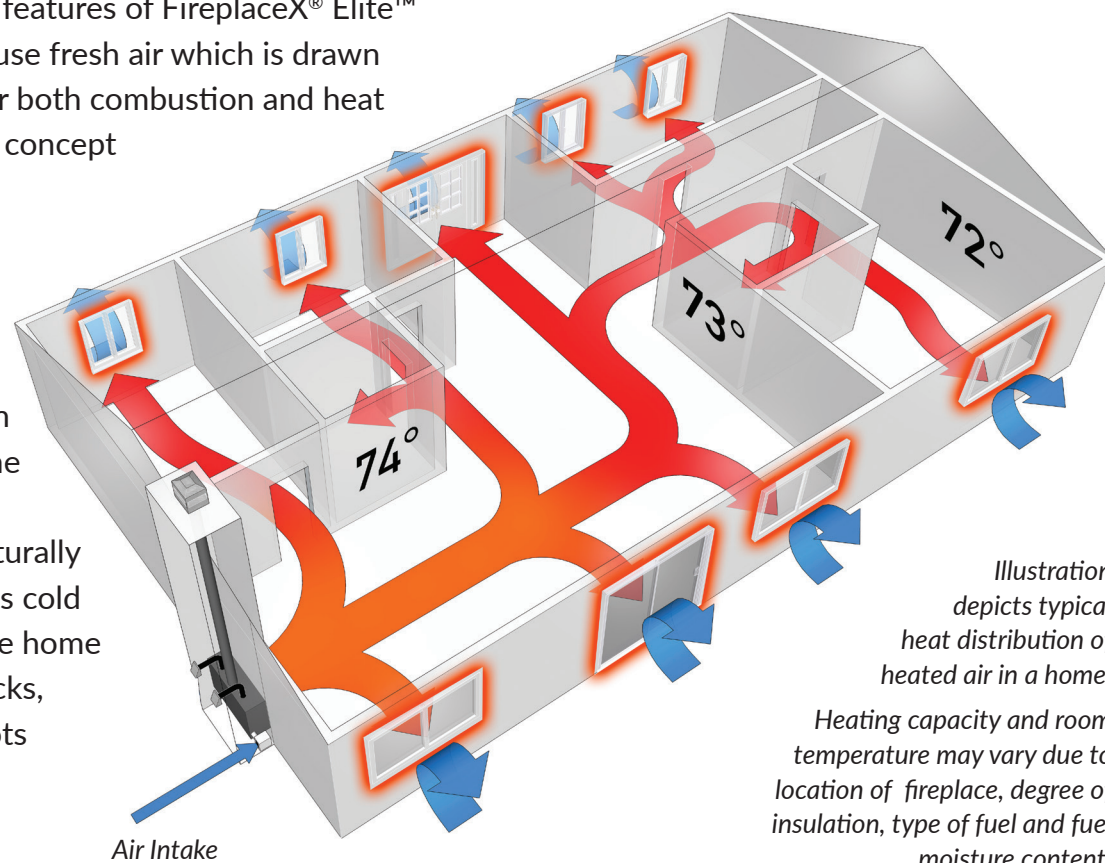


Illustration depicts typical heat distribution of heated air in a home.

Heating capacity and room temperature may vary due to location of fireplace, degree of insulation, type of fuel and fuel moisture content.

A Face and Door for Every Space

CLASSIC ARCH™ FACES & DOORS

The Classic Arch™ door style is equally charming at home in the country or gracing a contemporary living room. The warm black finish complements any decor and is timelessly enchanting.

ARTISAN™ HAND-HAMMERED FACES & DOORS

Artisan™ faces are part of our Custom Shop collection of hand-crafted designs. These faces are reminiscent of the iron work in the great lodges of Europe and North America. Hand-forged by master blacksmiths, each face takes more than 12 hours to craft and bears unique characteristics, making it a true work of art.

36 ELITE™ FACE/DOOR CHOICES



Classic Arch™ black double door



Classic Arch™ black single door comes with decorative cast andiron



Custom Shop Artisan™ single door

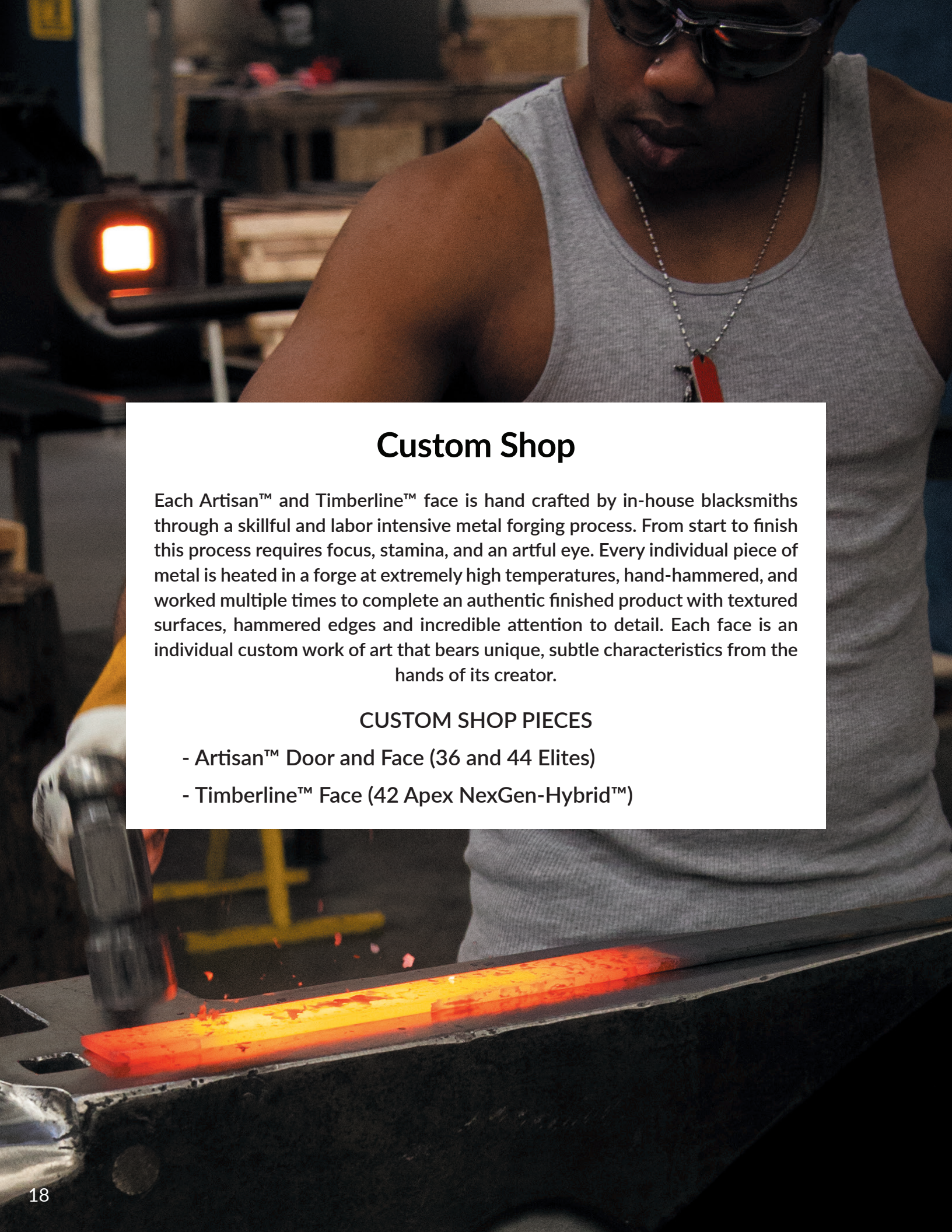
44 ELITE™ FACE/DOOR CHOICES



Classic Arch™ black double door



Custom Shop Artisan™ double door



Custom Shop

Each Artisan™ and Timberline™ face is hand crafted by in-house blacksmiths through a skillful and labor intensive metal forging process. From start to finish this process requires focus, stamina, and an artful eye. Every individual piece of metal is heated in a forge at extremely high temperatures, hand-hammered, and worked multiple times to complete an authentic finished product with textured surfaces, hammered edges and incredible attention to detail. Each face is an individual custom work of art that bears unique, subtle characteristics from the hands of its creator.

CUSTOM SHOP PIECES

- Artisan™ Door and Face (36 and 44 Elites)
- Timberline™ Face (42 Apex NexGen-Hybrid™)

Artisan™ Door and Face

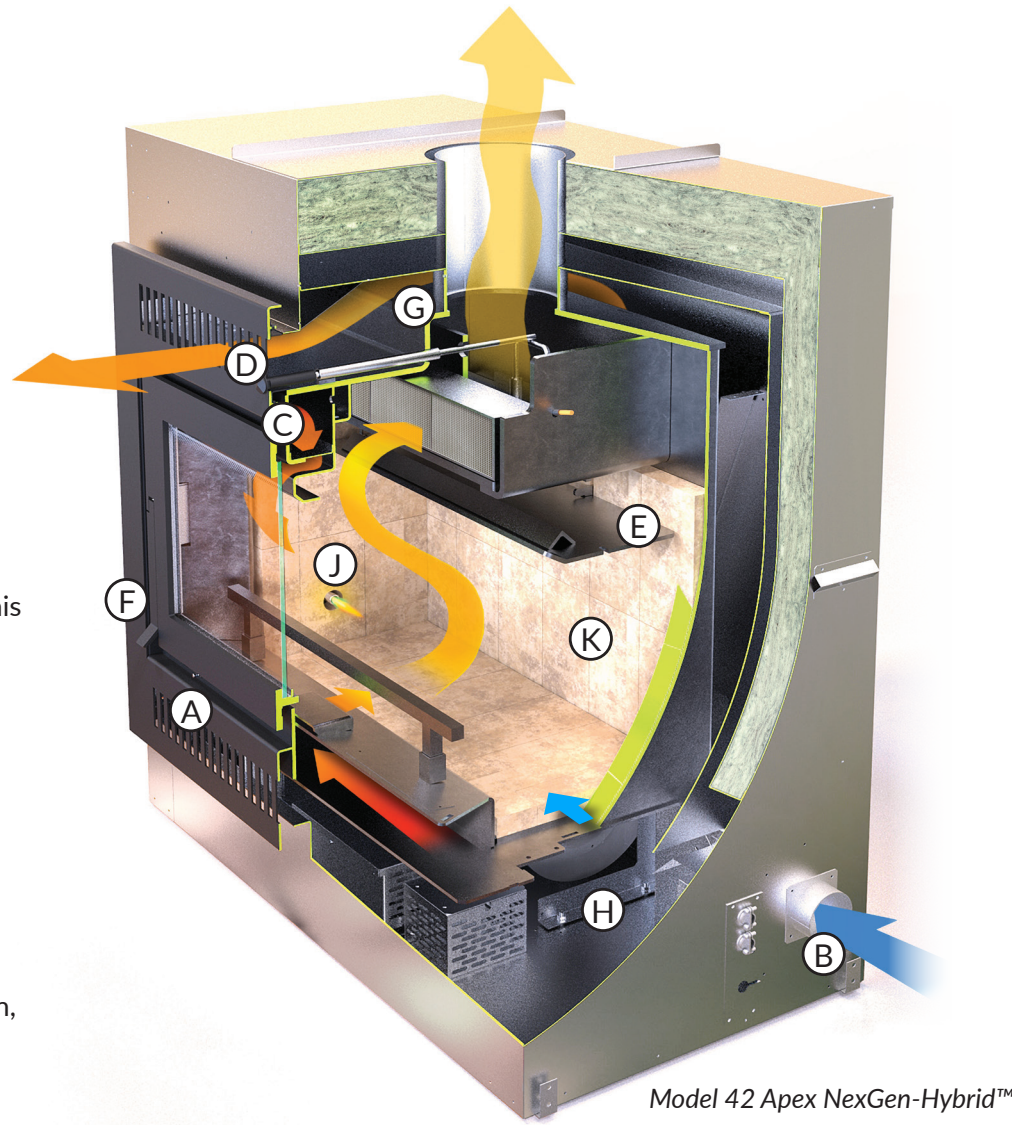


Timberline™ Face



HOW THE 42 APEX NEXGEN-HYBRID™ FIREPLACE WORKS

- (A) Air Control: The single air control is artfully hidden within the fireplace design and gives you the ability to effortlessly manage the burn rate of the fire.
- (B) Outside Air: Directly connects to an outside air source using a 3-inch flex duct. This duct is installed to the outside envelope of your home. This feature allows the fireplace to only use outside air for combustion.
- (C) Air Wash: A unique perforated steel screen design creates a high velocity of heated air flow across the glass. This helps keep the glass clean for your enjoyment.
- (D) Bypass Damper: An exceptional feature that is used for two things when in the open position: quick start-up and smoke-free reloading. The hot air gets drawn to the back of the firebox, away from the door and up the chimney. In the closed position, the heated air is drawn through the catalytic combustor, incinerating any leftover smoke particulates, thus maximizing your efficiency.



Model 42 Apex NexGen-Hybrid™

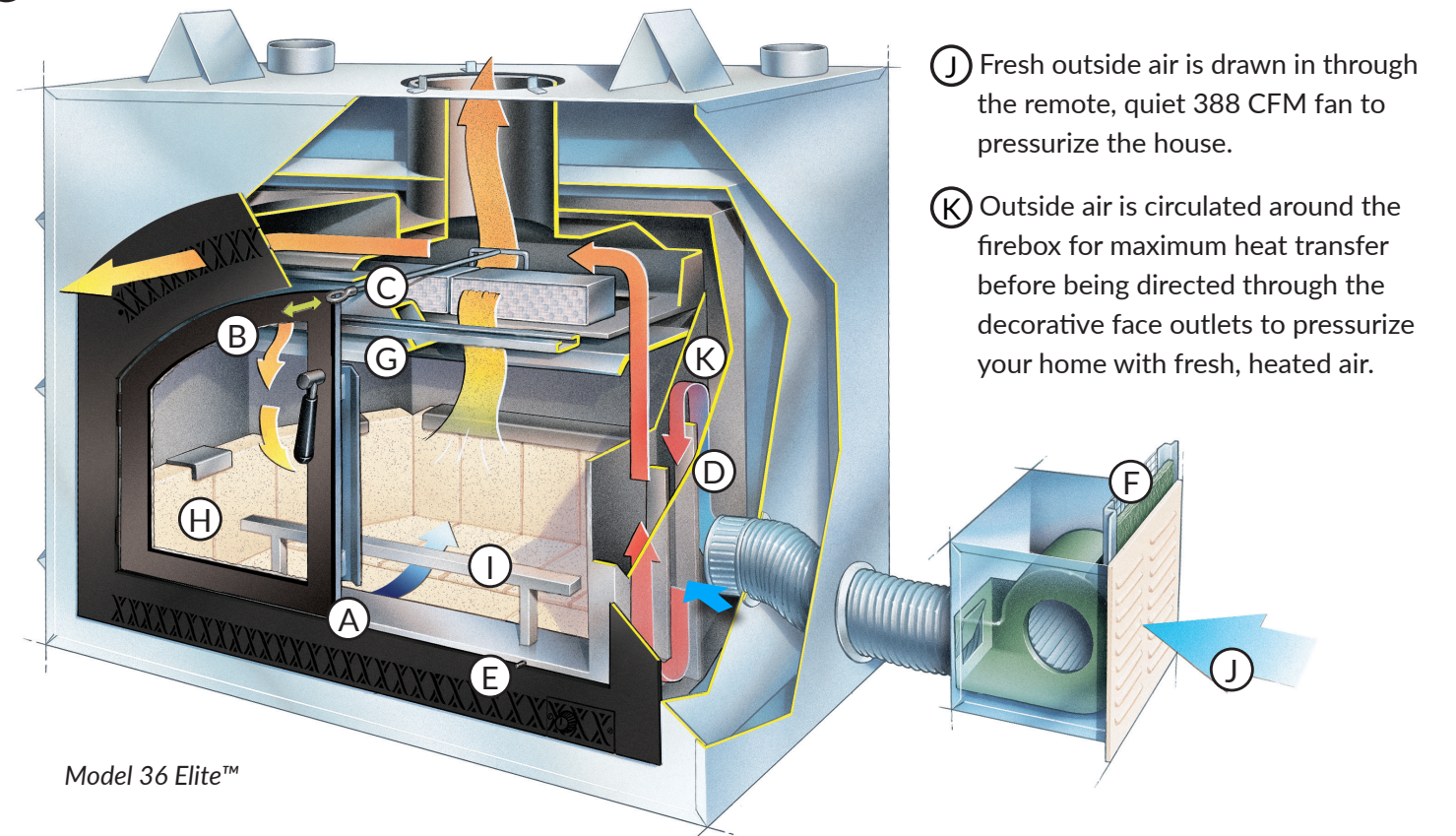
- (E) Heavy-Duty Baffle Plate: Increases the time the unburned gases stay in the firebox, mixing them with fresh oxygen prior to entering the catalytic combustor, which increases efficiency and lowers emissions by creating secondary combustion.
- (F) Low-Profile Door Handle: Seamlessly incorporated into the door and comes standard with a tool that allows you to open and close the door with ease.

- (G) Convection Chamber: Naturally circulates the air around the fireplace and returns it into the room as heated air. As the fireplace heats up, the air flow increases, and more heated air is delivered into the room.
- (H) 400 CFM Convection Fan: Mounted below the firebox, comes standard and minimizes noise while maximizing heat output.
- (I) In-Wall Control Center: See page 9 for details.
- (J) GreenStart® Igniter: See page 9 for details.
- (K) Kiln-Fired Brick: A hard refractory firebrick that is used in the most demanding applications and is rated to take heat up to 3000 degrees fahrenheit. This makes it ideal for increased efficiency and allows for greater heat transfer from the firebox to your home



HOW THE ELITE™ FIREPLACES WORK

- (A) Air Control: The single air control is artfully hidden within the fireplace design and gives you the ability to effortlessly manage the burn rate of the fire.
- (B) Air Wash: A unique perforated steel screen design creates a high velocity of heated air flow across the glass. This helps keep the glass clean for your enjoyment.
- (C) Bypass Damper: An exceptional feature that is used for two things when in the open position: quick start-up and smoke-free reloading. The hot air gets drawn to the back of the firebox, away from the door and up the chimney. In the closed position, the heated air is drawn through the catalytic combustor, incinerating any leftover smoke particulates, thus maximizing your efficiency.
- (D) Posi-Pressure System: Outside air is drawn through the remote, quiet variable-speed 388 CFM fan to pressurize the house. The air is pulled into the engineered air chambers around the firebox and heated air is transferred into the room, providing warmth and comfort throughout your home.
- (E) Fan Micro-Switch: Instantly turns off the fan system when you open the door(s) to prevent smoke-back into the room.
- (F) Air Filter: Keeps incoming air clean. The air filter is removable and washable.
- (G) Heavy-Duty Baffle Plate: Increases the time the unburned gases stay in the firebox, mixing them with fresh oxygen prior to entering the catalytic combustor, which increases efficiency and lowers emissions by creating secondary combustion.
- (H) Kiln-Fired Brick: Hard refractory brick that is used in the most demanding applications and is rated to take heat up to 3,000 degrees fahrenheit. This makes it ideal for increased efficiency and allows greater transfer of heat from the firebox to your home
- (I) Log Retainer: Gives you the ability to load a large amount of wood into the firebox without it rolling back out.

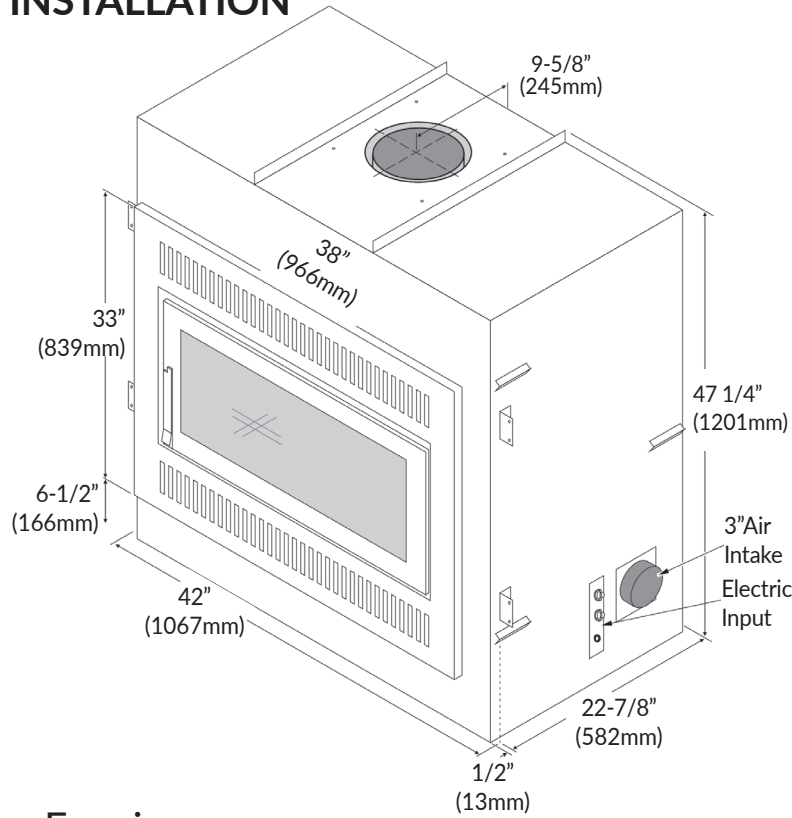


Model 36 Elite™

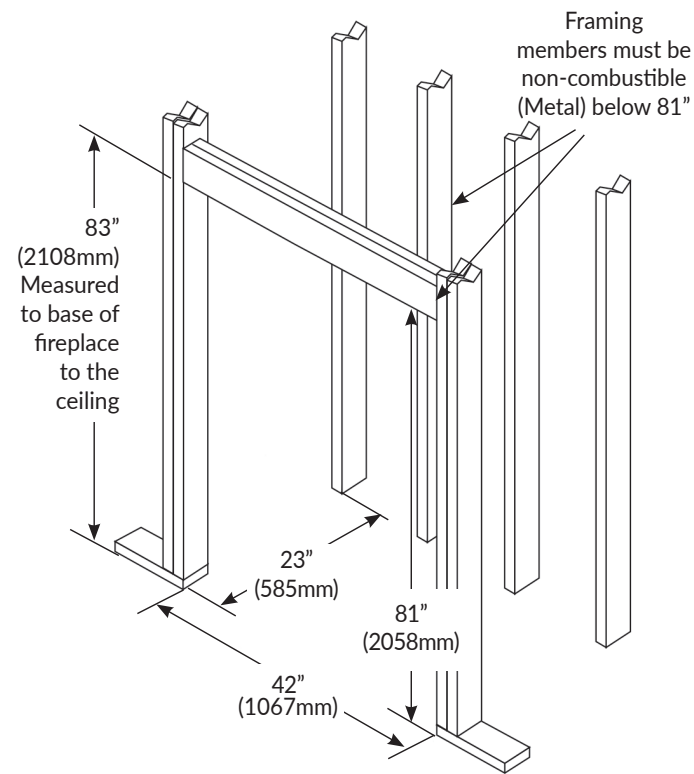
- (J) Fresh outside air is drawn in through the remote, quiet 388 CFM fan to pressurize the house.
- (K) Outside air is circulated around the firebox for maximum heat transfer before being directed through the decorative face outlets to pressurize your home with fresh, heated air.

Always refer to the Installation Manual for complete installation information.

42 APEX NEXGEN-HYBRID™ INSTALLATION



Framing



Combustible mantels are not permitted on the 42 Apex NexGen-Hybrid™ Fireplace. Use non-combustible mantels ONLY.

CLEARANCES TO COMBUSTIBLES

- Sidewalls measured to the center line in front of fireplace. 45" (1143mm)
- Side combustibles measured to the center line in front of fireplace that protrude less than 7" (178mm). 24-3/8" (620mm)
- Combustibles placed in front or sides of the fireplace. 48" (1219mm)
- Non-combustible Hearth Depth. 20" (508mm)

APPROVED CHIMNEY

AIR-COOLED - Use one of the following brands and series of air- CHIMNEY cooled chimney. Simpson Duravent 8" x 12".

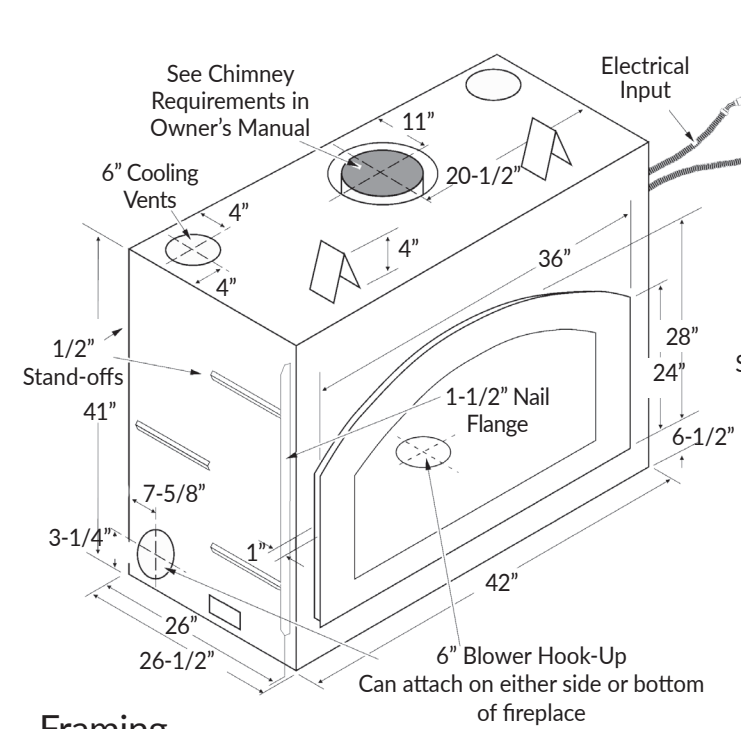
- INSULATED CHIMNEY**
- Duravent DuraPlus HTC Chimney
 - Duravent DuraTech Premium DTP
 - Duratech Canada
 - ICC Excel 7"
 - Security Oliver MacCloud S2100+ or ASHT+SP
 - Security S2100+ and ASHT+
 - Selkirk CF Sentinel, Supervent 2100JM, SuperPro 2100 ALT and UltimateOne

TESTING

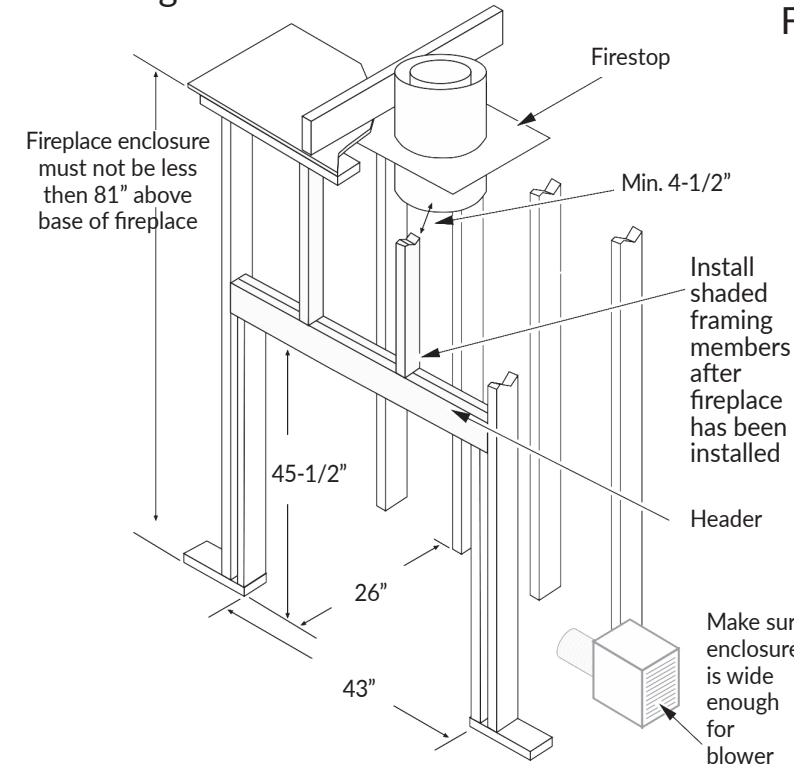
FireplaceX® Model 42 APEX NexGen-Hybrid™ is tested to ASTM E2780-10, ASTM 2515-11, CSA B415.1-10

Always refer to the Installation Manual for complete installation information.

36 ELITE™ INSTALLATION



Framing



CLEARANCES TO COMBUSTIBLES

- To Combustible Mantel* 23" (584mm)
- To Combustible Top Facing* 12" (305mm)
- To Combustible Side Facing* 2-1/2" (64mm)
- Non-Combustible Hearth Depth. 20" (508mm)

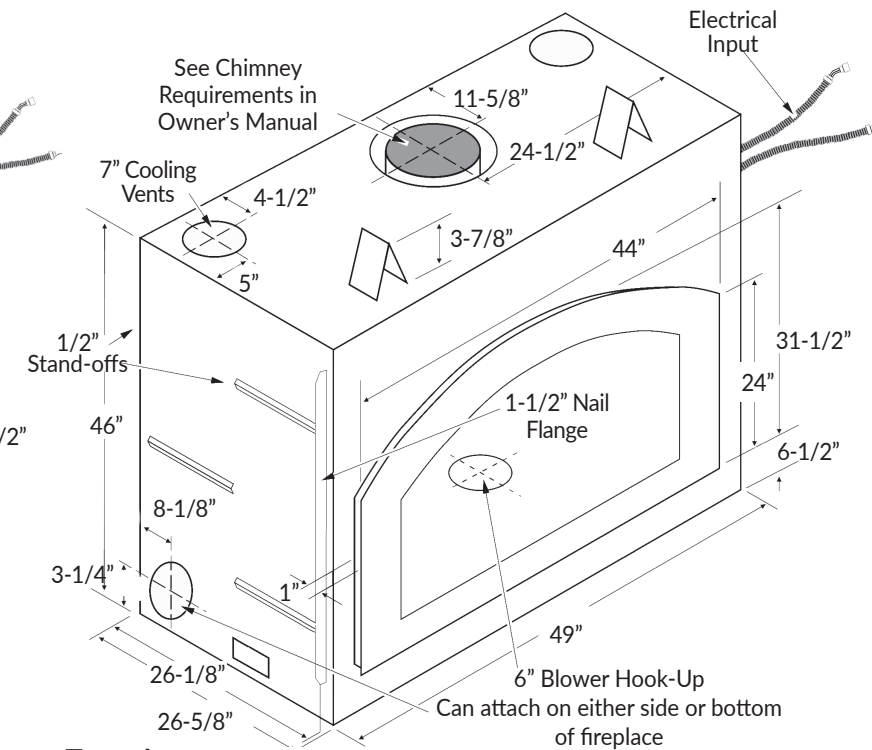
* Measured from Face

TESTING

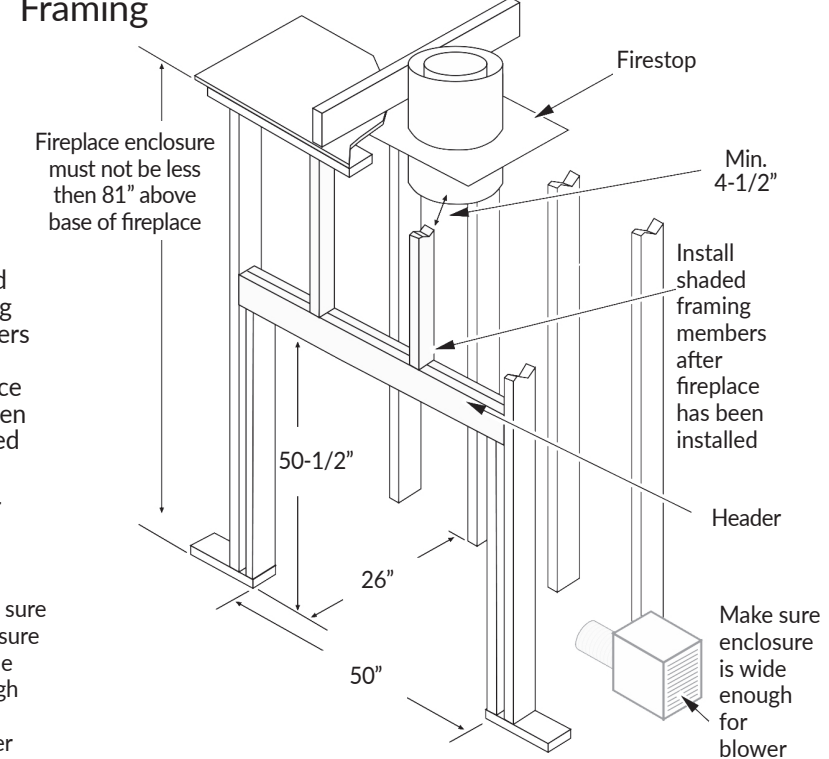
FireplaceX® Model 36 Elite™ is tested to 127-2015, ULC-610-M87 (R1998) & portions of 1482 & 907, Report #0028WF060S

FireplaceX® Model 44 Elite™ is tested to 127-2015, ULC-610-M87 (R1998) & portions of 1482 & 907, Report #0028WF0610S 23

44 ELITE™ INSTALLATION



Framing



APPROVED CHIMNEY

Use one of the following brands and series of air cooled chimney. Simpson Duravent 8" x 12" FMI 8DM

WARRANTY

Your wood burning fireplace is backed by a network of specialty hearth dealers and certified factory-trained installers. FireplaceX® warranties our products to be free from defects in material and workmanship for a period of seven years from date of purchase. All parts, electronics and labor are covered for a full two years. No other manufacturer's warranty can compare.



FIRE SCREENS



If you have young children or pets in your home, consider installing a fire screen. Make sure the fire screen is tall enough and placed far enough away so that reaching arms can't touch the surface of the fireplace. This will allow everyone in your home to safely enjoy the comfort and warmth of your new fireplace.

ADDITIONAL FIREPLACEX® PRODUCTS



Wood Burning Inserts

FireplaceX® offers two flush to the fireplace wood burning inserts. The Flush Wood Medium and the Flush Wood Large insert that features super clean burning, high efficiency and the revolutionary GreenStart® auto wood igniter.



Gas Burning Inserts

Turn your old, open masonry or metal (zero clearance) fireplace into a clean, efficient source of heat for your home. FireplaceX® offers a complete line of heater rated wood and gas inserts to fit virtually any existing fireplace.



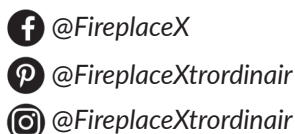
Traditional Gas Fireplaces

FireplaceX® offers a complete line of heater rated gas fireplaces in both landscape and portrait-style designs. There are Fireplace Xtrordinaire gas fireplaces in many sizes and for every heating need.



Linear Gas Fireplaces

FireplaceX® offers a complete line of heater rated linear gas fireplaces in several lengths. These linear gas fireplaces feature under lite glass and stone media and a wide variety of optional interior liners, Fyre-Art™ log and stone kits and the ability to vent heat to adjoining rooms.



Manufactured By Travis Industries, Inc.
Mukilteo, Washington

Visit us online: www.fireplacex.com

Fireplace Xtrordinaire® Wood Burning Fireplaces are protected by one or more of the following patents: U.S. 9,170,025, 4,665,889 as well as other U.S. and Foreign Patents pending. Fireplace Xtrordinaire® reserves the right to alter or improve its products at any time without notification. All trademarks belong to Travis Industries, Inc. For installation specifications refer to the Owner's Manual found on the Fireplace Xtrordinaire® website.

© Copyright T. I. 2023/01 - Printed in the U.S.A. 98800160

