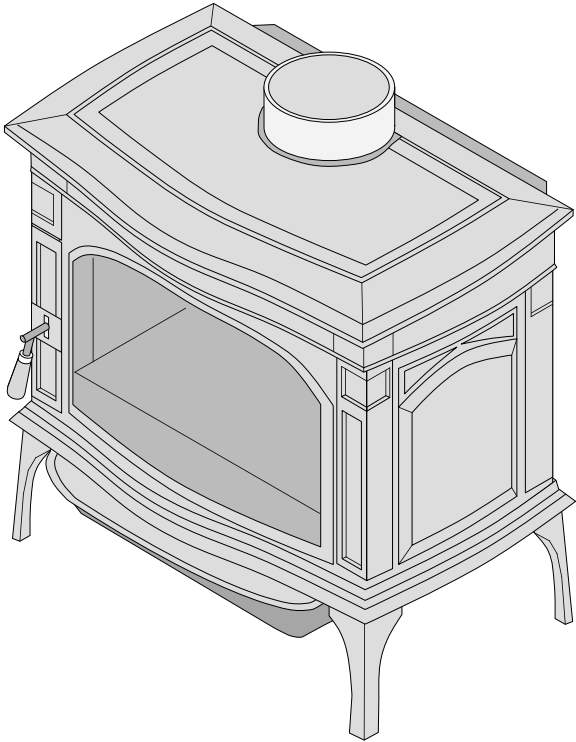




# Rockport Wood Stove

## Owner's Manual



- Freestanding Stove
- Mobile-Home Approved
- Alcove Approved
- Hearth-Stove Approved

Save these instructions  
for future reference

<b>⚠ WARNING</b>	
	<p><b>HOT GLASS WILL CAUSE BURNS. DO NOT TOUCH GLASS UNTIL COOLED. NEVER ALLOW CHILDREN TO TOUCH GLASS.</b></p>

### SAFETY NOTICE:

If this appliance is not properly installed, a house fire may result. For your safety, follow the installation directions. Contact local building or fire officials about restrictions and installation inspection requirements in your area.



**TRAVIS INDUSTRIES  
HOUSE OF FIRE**

© Copyright 2018,  
Travis Industries, Inc.

\$10.00

100-01431

3/22/2019



Report #0028WS100S & 0028WH117E

Conforms to UL STD 1482-11; Certified to ULC S627-2000

## Introduction

We welcome you as a new owner of a Lopi Rockport wood-burning stove. In purchasing a Rockport you have joined the growing ranks of concerned individuals whose selection of an energy system reflects both a concern for the environment and aesthetics. The Lopi Rockport is one of the finest appliances the world over. This manual will explain the installation, operation, and maintenance of this appliance. Please familiarize yourself with the Owner's Manual before operating your appliance and save the manual for future reference. Included are helpful hints and suggestions which will make the installation and operation of your new appliance an easier and more enjoyable experience. We offer our continual support and guidance to help you achieve the maximum benefit and enjoyment from your appliance.

## Important Information

No other Lopi Rockport appliance has the same serial number as yours. The serial number is stamped onto the label on the back of the appliance.

This serial number will be needed in case you require service of any type.

Model: Lopi Rockport Stove

Serial Number: \_\_\_\_\_

Purchase Date: \_\_\_\_\_

Purchased From: \_\_\_\_\_

\_\_\_\_\_

\_\_\_\_\_

\_\_\_\_\_


**Register your warranty online at:**

[traviswarranty.com](http://traviswarranty.com)

**Save Your Bill of Sale.**


To receive full warranty coverage, you will need to show evidence of the date you purchased your heater.

We suggest that you attach your Bill of Sale to this page so that you will have all the information you need in one place should the need for service or information occur.



**NATIONAL FIREPLACE INSTITUTE**  
**NFI**  
**CERTIFIED**  
[www.nficertified.org](http://www.nficertified.org)

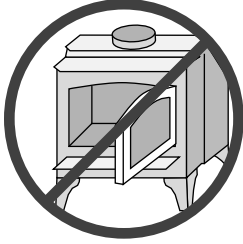
We suggest that our woodburning hearth products be installed and serviced by professionals who are certified in the U.S. by the National Fireplace Institute® (NFI) as NFI Woodburning Specialists or who are certified in Canada by Wood Energy Technical Training (WETT).



**Wood Energy Technical Training**  
[www.wettinc.ca](http://www.wettinc.ca)

<b><u>Introduction .....</u></b>	<b><u>Understanding Your Heater’s Combustion System .....</u></b>
<b><u>2</u></b>	<b><u>24</u></b>
<b><u>Important Information .....</u></b>	<b><u>Burning Your Heater .....</u></b>
<b><u>2</u></b>	<b><u>24</u></b>
<b><u>Installation Options .....</u></b>	<b><u>Ash Removal .....</u></b>
<b><u>6</u></b>	<b><u>25</u></b>
<b><u>Standard Features .....</u></b>	Ash Pan Removal .....
<b><u>6</u></b>	<b><u>25</u></b>
<b><u>Heating Specifications .....</u></b>	<b><u>Re-Loading the Stove .....</u></b>
<b><u>6</u></b>	<b><u>26</u></b>
<b><u>Dimensions .....</u></b>	<b><u>Overnight Burn .....</u></b>
<b><u>6</u></b>	<b><u>26</u></b>
<b><u>Emissions .....</u></b>	<b><u>Normal Operating Sounds .....</u></b>
<b><u>6</u></b>	<b><u>26</u></b>
<b><u>Planning the Installation .....</u></b>	<b><u>Hints for Burning .....</u></b>
<b><u>7</u></b>	<b><u>27</u></b>
Preparation for Installation .....	<b><u>Selecting Wood .....</u></b>
<b><u>7</u></b>	<b><u>27</u></b>
<b><u>Packing List .....</u></b>	Why Dry Wood is Key .....
<b><u>7</u></b>	<b><u>27</u></b>
<b><u>Floor Protection Requirements .....</u></b>	Wood Cutting and Storage .....
<b><u>8</u></b>	<b><u>27</u></b>
<b><u>Stove Placement Requirements .....</u></b>	Don't Burn Treated Wood, Wax Logs, Coal, Garbage, Etc. ....
<b><u>8</u></b>	<b><u>28</u></b>
<b><u>Clearances .....</u></b>	<b><u>Troubleshooting .....</u></b>
<b><u>8</u></b>	<b><u>29</u></b>
Top View - Straight Installation .....	<b><u>Daily Maintenance (while stove is in use) ...</u></b>
<b><u>9</u></b>	<b><u>30</u></b>
Top View - Corner Installation .....	Remove Ash (if necessary) .....
<b><u>9</u></b>	<b><u>30</u></b>
<b><u>Chimney Connector Requirements .....</u></b>	Clean the Glass (if necessary) .....
<b><u>10</u></b>	<b><u>30</u></b>
<b><u>Chimney Requirements .....</u></b>	<b><u>Monthly Maintenance (while appliance is in use) .....</u></b>
<b><u>11</u></b>	<b><u>31</u></b>
<b><u>Chimney Termination Requirements .....</u></b>	Door and Glass Inspection .....
<b><u>12</u></b>	<b><u>31</u></b>
<b><u>Outside Air Requirements .....</u></b>	Door Adjustment .....
<b><u>12</u></b>	<b><u>31</u></b>
<b><u>Alcove Installation Requirements .....</u></b>	Door Removal .....
<b><u>13</u></b>	<b><u>31</u></b>
<b><u>Mobile Home Requirements .....</u></b>	Creosote - Formation and Need for Removal .....
<b><u>14</u></b>	<b><u>32</u></b>
Standard Ceiling with a Factory-Built Chimney ...	<b><u>Yearly Maintenance .....</u></b>
<b><u>15</u></b>	<b><u>32</u></b>
Cathedral Ceiling with a Factory-Built Chimney ..	Touch-Up Paint .....
<b><u>15</u></b>	<b><u>32</u></b>
Exterior Factory-Built Chimney .....	Enamel Surfaces .....
<b><u>16</u></b>	<b><u>32</u></b>
Floor Protection Under Connector Pipe .....	Cleaning the Air Duct and Blower (if applicable) ..
<b><u>16</u></b>	<b><u>32</u></b>
Wall Penetrations Under 84" .....	Firebrick and Baffle Inspection .....
<b><u>16</u></b>	<b><u>32</u></b>
Wall Penetrations 84" or Greater .....	Cleaning the Combustor .....
<b><u>16</u></b>	<b><u>33</u></b>
Hearth Stove Installation .....	<b><u>Door Parts .....</u></b>
<b><u>17</u></b>	<b><u>34</u></b>
Interior or Exterior Masonry Chimney .....	Replacing the Glass .....
<b><u>17</u></b>	<b><u>34</u></b>
<b><u>Safety Notice .....</u></b>	Replacing the Door Gasket .....
<b><u>18</u></b>	<b><u>34</u></b>
<b><u>Before Your First Fire .....</u></b>	Replacing the Door Handle .....
<b><u>18</u></b>	<b><u>34</u></b>
Curing the Paint .....	Removing the Door .....
<b><u>18</u></b>	<b><u>34</u></b>
Carbon Monoxide (CO) Emissions .....	<b><u>Firebox Parts .....</u></b>
<b><u>18</u></b>	<b><u>35</u></b>
Over-Firing the Stove .....	<b><u>Air Tube Removal &amp; Replacement .....</u></b>
<b><u>18</u></b>	<b><u>36</u></b>
<b><u>Opening the Door .....</u></b>	<b><u>Combustor Removal .....</u></b>
<b><u>19</u></b>	<b><u>37</u></b>
<b><u>Bypass Operation .....</u></b>	<b><u>Temperature Probe Replacement .....</u></b>
<b><u>19</u></b>	<b><u>37</u></b>
<b><u>Maintaining Burn-Off .....</u></b>	<b><u>Firebrick Removal &amp; Replacement .....</u></b>
<b><u>20</u></b>	<b><u>38</u></b>
<b><u>Combustor – Use and Cleaning .....</u></b>	<b><u>Listing Label .....</u></b>
<b><u>21</u></b>	<b><u>41</u></b>
Inspecting & Cleaning the Combustor .....	<b><u>Rear Blower (Part # 99000139) .....</u></b>
<b><u>21</u></b>	<b><u>42</u></b>
<b><u>Starting a Fire .....</u></b>	<b><u>GreenStart™ Woodstove Igniter (Part # 94400951) .....</u></b>
<b><u>22</u></b>	<b><u>42</u></b>
<b><u>Adjusting the Burn Rate .....</u></b>	<b><u>GreenStart Igniter Installation Addendum ..</u></b>
<b><u>23</u></b>	<b><u>43</u></b>
Approximate Air Control Settings .....	
<b><u>23</u></b>	

## Safety Precautions



The viewing door must be closed and latched during operation.

Smoke from this appliance may activate a smoke detector when the door is open.

Never block free airflow through the air vents on this appliance.



Gasoline or other flammable liquids must never be used to start the fire or "Freshen Up" the fire. Do not store or use gasoline or other flammable liquids in the vicinity of this appliance.



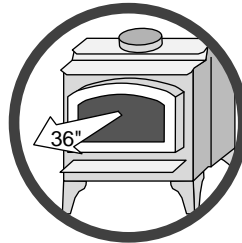
This appliance is designed and approved for the burning of cord wood only. Do not attempt to burn any other type of fuel other than cord wood in this appliance, it will void all warranties and safety listings.



Ashes must be disposed in a metal container with a tight lid and placed on a non-combustible surface well away from the home or structure.



Do not touch the appliance while it is hot and educate all children of the danger of a high-temperature appliance. Young children should be supervised when they are in the same room as the appliance.



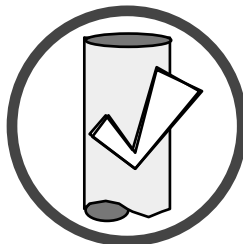
Keep furniture, drapes, curtains, wood, paper, and other combustibles a minimum of 36" (914mm) away from the front of the appliance.



This appliance must be properly installed to prevent the possibility of a house fire. The instructions must be strictly adhered to. Do not use makeshift methods or compromise in the installation.

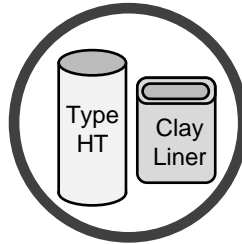


Contact your local building officials to obtain a permit and information on any installation restrictions or inspection requirements in your area. Notify your insurance company of this appliance as well.



Inspect the chimney connector and chimney at least twice monthly and clean if necessary. Creosote may build up and cause a house fire.

Do not connect this appliance to any chimney serving another appliance.



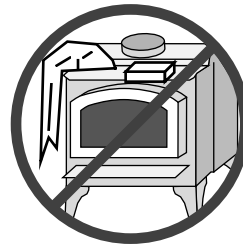
This appliance must be connected to a listed high temperature (UL 103 HT) residential type chimney or an approved masonry chimney with a standard clay tile, or stainless steel liner.

This wood heater contains a catalytic combustor, which needs periodic inspection and replacement for proper operation. It is against federal regulations to operate this wood heater in a manner inconsistent with operating instructions in this manual, or if the catalytic element is deactivated or removed.

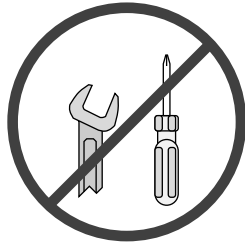
This wood heater needs periodic inspection and repair for proper operation. It is against federal regulations to operate this wood heater in a manner inconsistent with operating instructions in this manual.



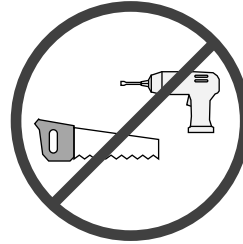
When installed in a mobile home, this appliance must be bolted to the floor, have outside air, and not be installed in the bedroom (per H.U.D. requirements). Check with local building officials.



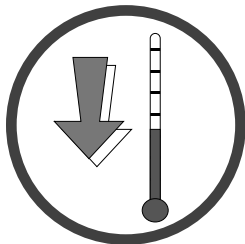
Do not place clothing or other flammable items on or near this appliance.



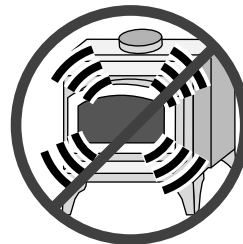
Never try to repair or replace any part of this appliance unless instructions are given in this manual. All other work must be done by a trained technician. Do not make any changes or modifications to an existing masonry fireplace or chimney to install this appliance.



This wood heater has a manufacturer-set minimum low burn rate that must not be altered. It is against federal regulations to alter this setting or otherwise operate this wood heater in a manner inconsistent with operating instructions in this manual.



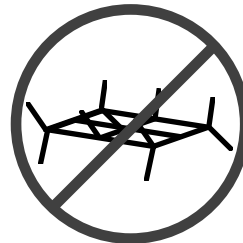
Allow the appliance to cool before carrying out any maintenance or cleaning.



Over-firing the appliance may cause a house fire. If a unit or chimney connector glows, you are over-firing.



Maintain the door and glass seal and keep them in good condition. Do not clean glass while it is hot.



Do not use a grate or other device to elevate the fire off of the firebox floor. Burn the fire directly on the firebox floor.

Do not operate this heater with broken or missing glass.

Avoid placing wood against the glass when loading. Do not slam the door or strike the glass.



Do not throw this manual away. This manual has important operating and maintenance instructions that you will need at a later time. Always follow the instructions in this manual.



**Travis Industries, Inc. grants no warranty, implied or stated, for the installation or maintenance of your appliance, and assumes no responsibility of any consequential damage(s).**

**Smoke and CO Detectors:** Make sure your home has a working smoke detector, especially near any bedrooms. We recommend having a smoke and/or CO detector in the same room as the wood heater for additional safety.

**Proposition 65 Warning:** Fuels used in gas, woodburning or oil fired appliances, and the products of combustion of such fuels, contain chemicals known to the State of California to cause cancer, birth defects and other reproductive harm. California Health & Safety Code Sec. 25249.6

*Travis Wood Burning Fireplaces, Stoves and Inserts are protected by one or more of the following patents; U.S. 9,170,025 4,665,889 as well as other U.S. and Foreign Patents pending.*

### Installation Options

- Freestanding
- Freestanding in an Alcove
- Freestanding in a Mobile Home
- Optional High-Tech Blower
- Optional GreenStart Igniter

### Standard Features

- 2.15 Cubic Foot (0.06 M<sup>2</sup>) Firebox Volume
- Single Operating Control
- Cast Iron Construction
- Heavy Duty Refractory Firebrick
- Removable Ashpan
- Accepts 20" Long Logs

### Heating Specifications

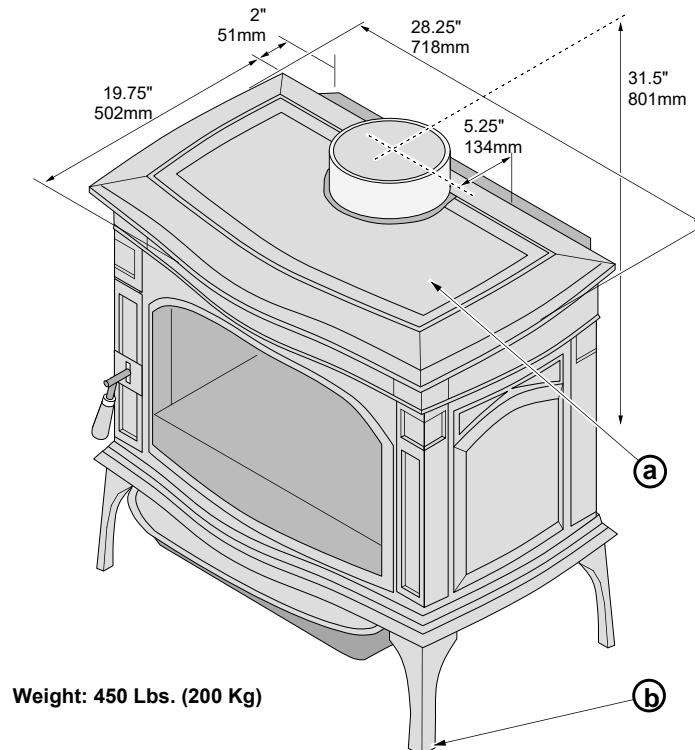
Approximate Maximum Heating Capacity (in square feet)*	up to 2,000 (185 M <sup>2</sup> )
EPA Tested Cord Wood BTUs per Hour**	13,760 to 55,466
Maximum Burn Time	Up to 10 Hours

\* Heating capacity will vary depending on the home's floor plan, degree of insulation, and the outside temperature. It is also affected by the quality and moisture level of the fuel.

\*\* EPA tests to determine BTU output are achieved with a single load of wood at each burn rate. At home, you are likely to add more wood to your stove to maintain your desired comfort level. By the simple process of loading your stove with additional wood, you could achieve up to a 20% higher heat output than established during EPA testing.

This model was tested for efficiency using method B415.1-10 and was determined to have a weighted average Higher Heating Value (HHV) Overall Heating Efficiency (OHE) of 76.28%. Overall efficiency of the heater may be lower if the heater is operated without a heat exchange blower or with the installed heat exchange blower turned off.

### Dimensions



- (a) Side, rear and corner clearances are measured from the stove top.  
 (b) Rubber-Tipped Leveling Bolts (at each corner).

Figure 1

### Emissions

This heater meets the 2020 U.S. EPA's cord wood emission limits for wood heaters. Tested to EPA Alt-125, ASTM E3053-17, ASTM 2515-11, CSA B415.1-10 this heater has been shown to deliver heat at rates ranging from 13,760 to 55,466 BTU/hr and an emission value of 1.71g/h.



## SAFETY NOTICE:

**Please read this entire manual before you install and use your new room heater. Failure to follow instructions may result in property damage, bodily injury, or even death. Contact local building or fire officials about restrictions and installation inspection requirements in your area.**

### *Planning the Installation*

---



We suggest that you have an authorized Travis Industries dealer install your stove. If you install the stove yourself, your authorized dealer should review your installation plans.



Check with local building officials for any permits required for installation of this stove and notify your insurance company before proceeding with installation.



The location of your wood heater in your home will decide how effectively the heat produced will spread throughout your house. Attention to the home design with consideration of natural convection and air circulation should be taken into account when choosing the placement of your heater within the home.

### **Preparation for Installation**

- Make sure the baffles and combustor are in place.
- Check for damage to the exterior of the stove (dents should be reported, scratches can be fixed by applying touch-up paint).
- Check the interior of the firebox (replace any cracked firebricks and make sure the baffle and combustor are in place).



The stove can be lightened by removing the firebricks and baffle (pg. 35) - replace before operation.

### *Packing List*

---

- (8) Firebricks (see page 38 for installation instructions)
- GreenStart Igniter Parts (steel firebrick, igniter box, and igniter box cover plate)
- (1) Fire poker (shipped on pallet)
- (1) Wood moisture meter
- (1) Pair of gloves
- (1) Bypass Tool
- (1) Brush (for cleaning combustor)
- (1) Temperature Reader (w. installation inst.)

## Floor Protection Requirements

- Floor protection must extend to the sides, rear, and front of the stove (see "Clearances" below for minimum floor protection).
- Floor protection must be non-combustible and at least .018" (.45mm) thick (26 gauge) – no thermal protection required (R=0).

## Stove Placement Requirements



Clearances may be reduced by methods specified in NFPA 211, listed wall shields, pipe shields, or other means approved by local building or fire officials.

- Stove must be placed so that no combustibles are within, or can swing within 36" (914mm) of the front of the stove (drapes, doors, etc.)
- If the stove is placed in a location where the ceiling height is less than 7' (2.134M), it must follow the requirements in the section "Alcove Installation Requirements"
- Must maintain the clearances to combustibles listed below (drywall, furniture)
- The stove requires an air source to operate. Combustion air starvation will result in poor performance or smoke in the house.

## Clearances

- The following clearances must be met (see Figure 2 and Figure 3):

Minimum Clearance	Single wall Connector	Reduced Clearance*
A Sidewall to stovetop	16" (407mm)	16" (407mm)
B Back wall to stovetop	16" (407mm)	10.5" (267mm)
C Corner wall to stovetop	9" (229mm)	9" (229mm)
D Connector to sidewall	27.125" (689mm)	26.5" (674mm)
E Connector to back wall	18.25" (464mm)	12.25" (311mm)
F Connector to corner wall	19.25" (489mm)	18.75" (477mm)
G Floor protection side and back	6" US / 8" Canada (153mm / 204mm)	6" US / 8" Canada (153mm / 204mm)
H Floor protection front	16" US / 18" Canada (407mm / 458mm)	16" US 18" Canada (407mm / 458mm)

\*Reduced clearance installations require one of the chimneys and connectors listed below:

AMERI-TEC model DCC with model HS chimney  
 DURAVENT model DVL with DURATEC or DURA-PLUS chimney  
 GSW Super Chimney Twenty-One connected directly to appliance  
 I.C.C. Excel (2100-2 Can.) (103-HT USA) chimney with ULTRABlack connector  
 METALFAB model DW connector with TG chimney  
 OLIVER MACLEOD PROVENT model PV connector with model 3103 chimney  
 SECURITY model DP connector with SECURITY model ASHT or S2100 chimney  
 SELKIRK METALBESTOS model DS connector with model SSII chimney  
 OLYMPIA VENTIS with Ventis double wall black stove pipe  
 Standard Masonry Chimney with any one of the above listed connectors

**NOTE:** Reduced clearance connectors may not connect to the flue collar – an appliance adapter may be required.

**NOTE:** Standard residential installations with reduced clearance connector may use the clearance determined by the manufacturer of the connector for the connector to wall clearance or the clearance listed in this manual. Offsets must be used to maintain the stove to wall clearance.



## Top View - Straight Installation

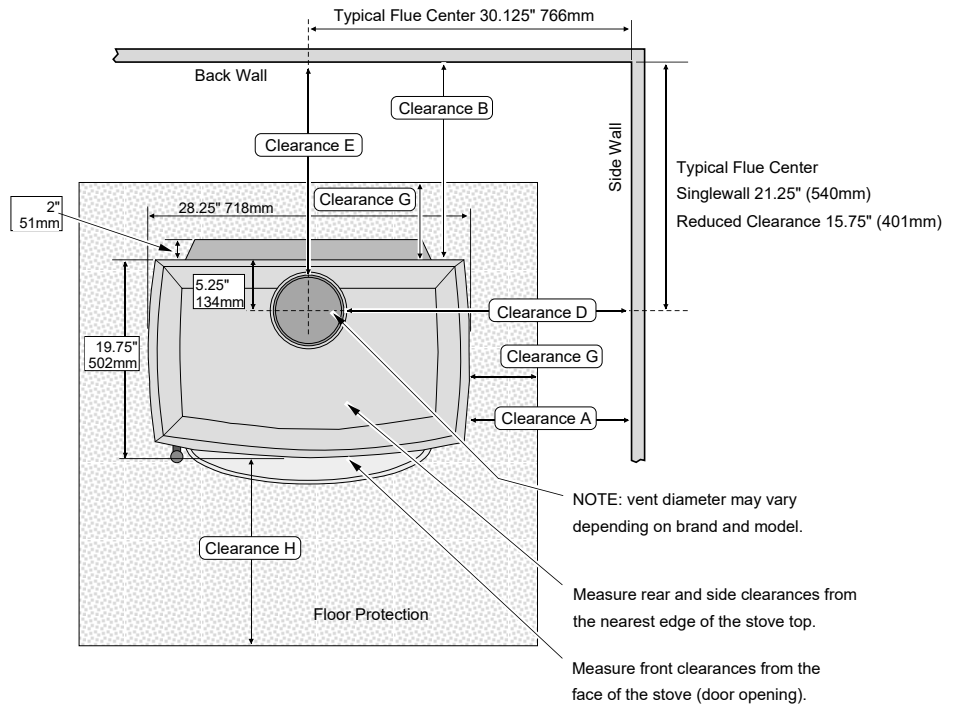


Figure 2

## Top View - Corner Installation

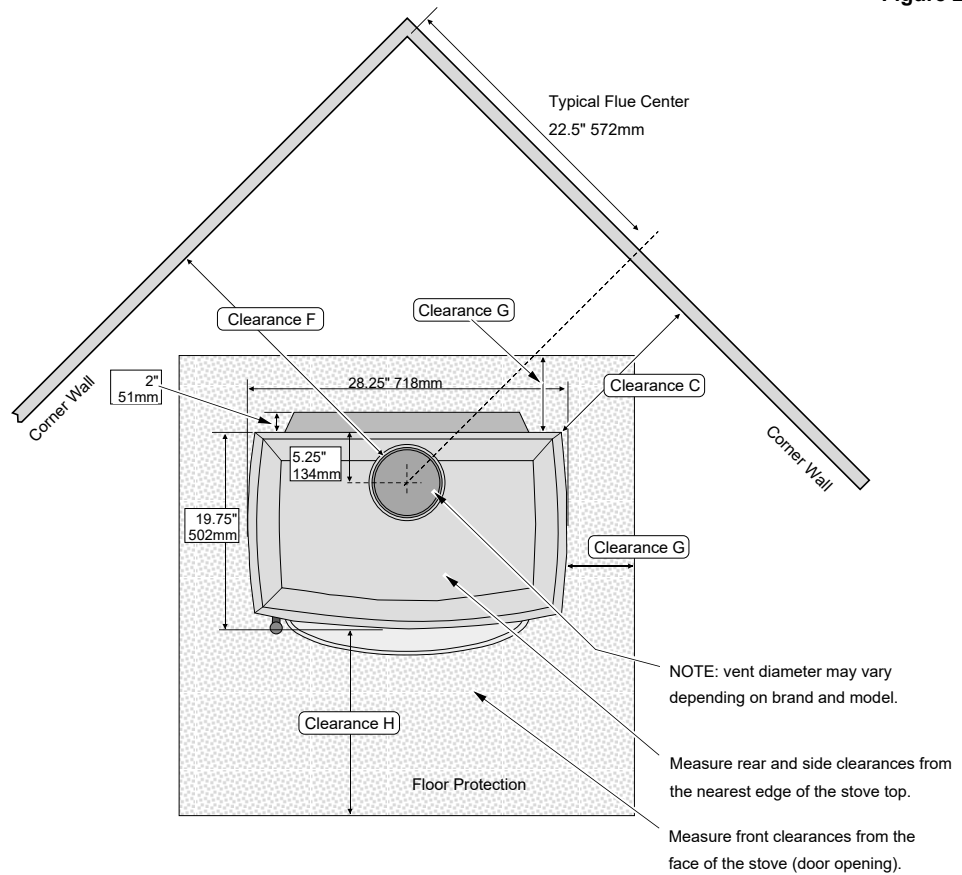


Figure 3

### Chimney Connector Requirements

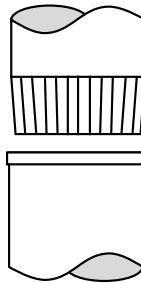
---

- Chimney connector is required from the flue collar of the stove to the factory-built chimney or masonry chimney.
- The chimney connector must be 6" (152mm) diameter and a minimum 24 gauge black steel, or one of the reduced-clearance connectors listed on page 8.

NOTE: Aluminum or galvanized steel is not allowed – these materials cannot withstand the flue temperatures and may give off toxic fumes when heated.

NOTE: Standard residential installations may use single-wall connector (Mobile-Homes may **not**).

- The chimney connector may not pass through a ceiling, attic, roof, closet, or any other concealed space (use listed UL 103 HT chimney – see "Chimney Requirements for details). **DO NOT USE CONNECTOR PIPE AS CHIMNEY.**
- IN CANADA: Where passage through a wall or partition of combustible construction is desired, the installation shall conform to CAN/CSA-B365, Installation Code for Solid-Fuel-Burning Appliances and Equipment.
- The chimney connector should be as short and direct as possible. No more than 180° of elbows (two 90° elbows, or two 45° & one 90° elbow, etc.) may be used for the entire system (connector and chimney). Horizontal runs should slope upwards 1/4" (6mm) per foot and be a maximum 36" (914mm) long.
- The chimney connector must be installed with the crimped end pointing downwards. This prevents creosote from leaking to the exterior of the pipe.



- The chimney connector must be fastened to the stove and each adjoining section (and chimney).
- Standard residential installations with reduced clearance connector may use the clearance determined by the manufacturer of the connector for the connector to wall clearance or the clearance listed in this manual. Offsets must be used to maintain the stove to wall clearance. Mobile homes must use the clearances listed in this manual under "Additional Requirements for Mobile Home Installations".

## Chimney Requirements

- DO NOT CONNECT THIS UNIT TO A CHIMNEY FLUE SERVING ANOTHER APPLIANCE.
- DO NOT CONNECT TO OR USE IN CONJUNCTION WITH ANY AIR DISTRIBUTION DUCTWORK UNLESS SPECIFICALLY APPROVED FOR SUCH INSTALLATIONS
- IN CANADA: This appliance must be connected to a factory-built chimney conforming to CAN/ULC-S629, Standard for 650°C Factory-Built Chimneys.
- UL 103 HT Chimney must be used from the first ceiling or floor or wall penetration to the chimney cap.
- Use 6" (152mm) diameter type UL 103 HT chimney from one manufacturer (do not mix brands) or code approved masonry chimney with a flue liner.
- Chimney must be fastened to each adjoining section.
- Follow the chimney manufacturer's clearances and requirements.
- Use the chimney manufacturer's fire stops, attic guards, roof supports, and flashings when passing through a ceiling and roof (see "b" and "d" below).
- No more than 180° of elbows (two 90° elbows, or two 45° & one 90° elbow, etc.) may be used for the entire system (connector and chimney).

NOTE: Additional elbows may be allowed if draft is sufficient. Whenever elbows are used the draft is adversely affected. Additional chimney height may be required to boost draft.

- (a) Min. System Height 15' (4.5M)  
Max. System Height 33' (10.058M)
- (b) Roof Penetration and Termination (see chimney manufacturer's requirements)
- (c) Chimney Sections
- (d) Ceiling Penetration (see chimney manufacturer's requirements)
- (e) Minimum air space to combustibles (see chimney manufacturer's requirements – typically 2" / 51mm)
- (f) Connector – see "Chimney Connector" on the previous page.

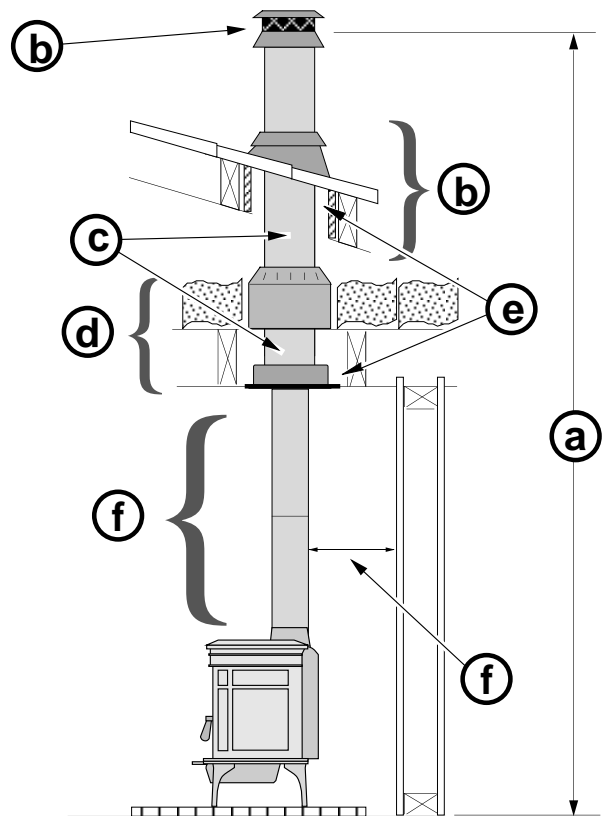


Figure 4

### Drafting Performance

Draft is the force which moves air from the appliance up through the chimney. The amount of draft in your chimney depends on the length of the chimney, local geography, nearby obstructions and other factors. Too much draft may cause excessive temperatures in the appliance and may damage the heater. Inadequate draft may cause backpuffing into the room and 'plugging' of the chimney. Inadequate draft will cause the appliance to leak smoke into the room through appliance and chimney connector joints. An uncontrollable burn or excessive temperature indicates excessive draft.

### Chimney Termination Requirements

- Must have an approved cap (to prevent water from entering)
- Must not be located where it will become plugged by snow or other material
- Must terminate at least 3' (914mm) above the roof **and** at least 2' (610mm) above any portion of the roof within 10' (3.048M) (see Figure 5)

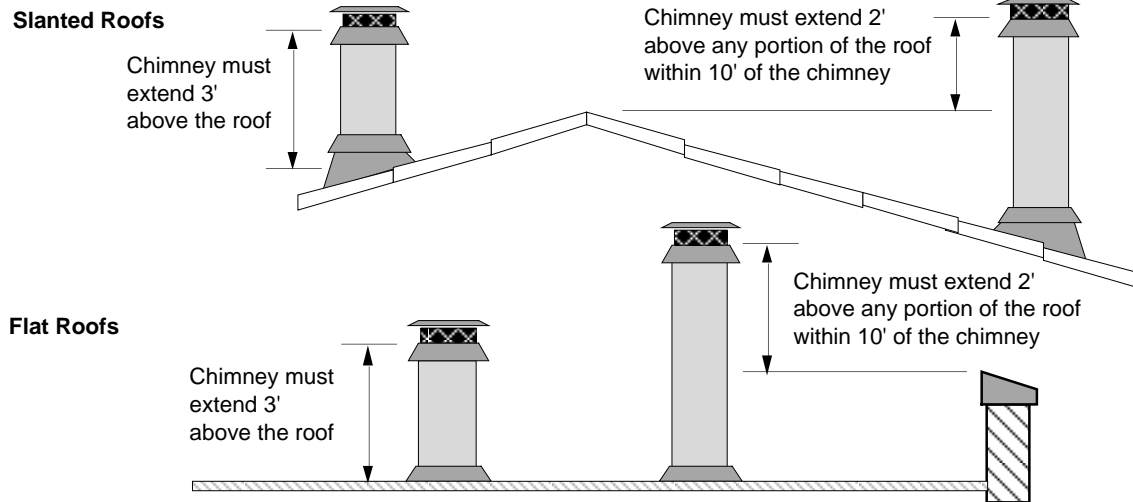


Figure 5

### Outside Air Requirements

- Required for mobile homes and in certain localities (check with local building official)
- Must not be drawn from an enclosed space (garage, unventilated crawl space)
- Requires a 3" duct that attaches to the bottom of the stove (see "a" and "b" below).
- Outside air duct must have a rodent screen and rain hood ("c").
- The Travis Industries Outside Air Kit (sku 99200139) includes all the above components.

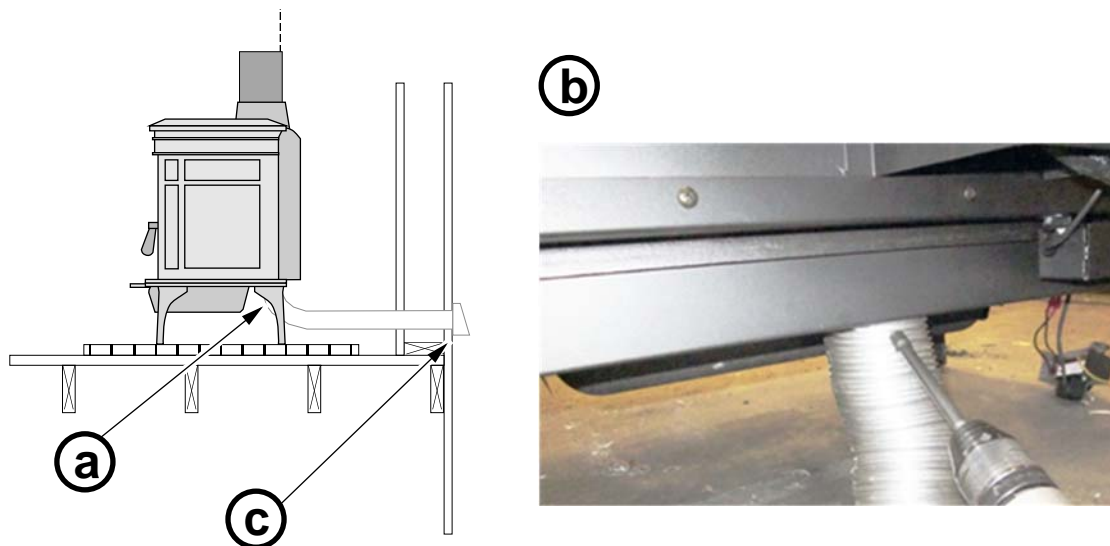


Figure 6

## Alcove Installation Requirements

Whenever the stove is placed in a location where the ceiling height is less than 7' (2.134M) tall, it is considered an alcove installation. Because of the reduced height, the special installation requirements listed below must be met.

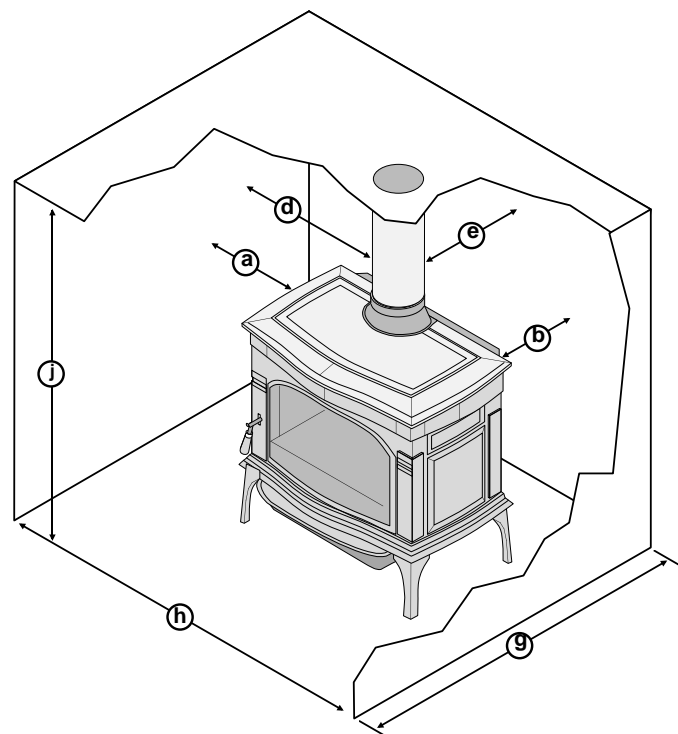
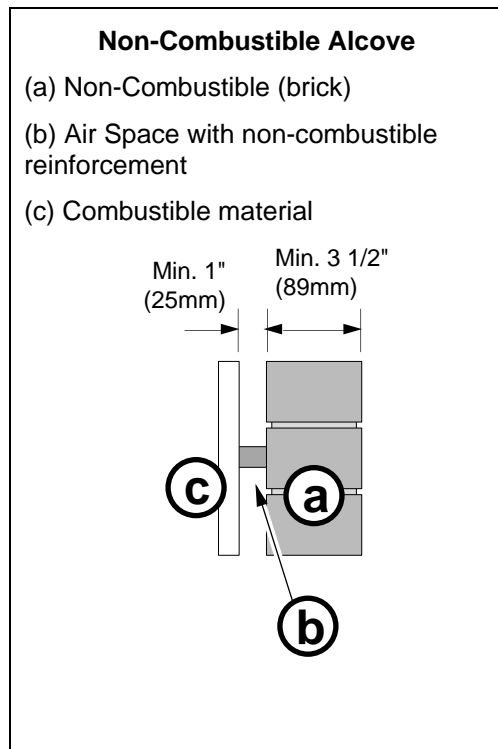
- Chimney connector and chimney must be one of the following types:

- AMERI-TEC model DCC with model HS chimney
- DURAVENT model DVL with DURATEC or DURA-PLUS chimney
- GSW Super Chimney Twenty-One connected directly to appliance
- I.C.C. Excel (2100-2 Can.) (103-HT USA) chimney with ULTRABlack connector
- METALFAB model DW connector with TG chimney
- OLIVER MACLEOD PROVENT model PV connector with model 3103 chimney
- SECURITY model DP connector with SECURITY model ASHT or S2100 chimney
- SELKIRK METALBESTOS model DS connector with model SSII chimney
- Standard Masonry Chimney with any one of the above listed connectors

**NOTE:** Reduced clearance connectors may not connect to the flue collar – an appliance adapter may be required.

- Alcoves are classified as combustible or non-combustible. Non-combustible alcoves must have walls and a ceiling that are 3 1/2" (89mm) thick of a non-combustible material (brick, stone, or concrete - see Figure 7). This non-combustible material must be spaced and ventilated at least 1" (25mm) off of all combustible materials (walls, ceiling, etc.) to allow air to move around the non-combustible walls and ceiling. All other alcoves are considered combustible. **The clearances below must be met:**

Minimum Clearance (See Figure 7 below)	Combustible Alcove	Non-Combustible Alcove
A Sidewall to stove	16"	6"
B Back wall to stove	10.5"	6.75" (with fan) 4" (without fan)
D Connector to sidewall	26.5"	16.5"
E Connector to back wall	12.25"	8.375" (with fan) 5.625" (without fan)
G Maximum depth of alcove	48"	48"
H Minimum width of alcove	60.25"	40.25"
J Minimum height of alcove	84"	6" above stove top



**Figure 7**

Mobile Home Requirements

- Outside air must be installed - see "Outside Air Requirements" on page 12
- Chimney connector and chimney must be one of the following types:

AMERI-TEC model DCC with model HS chimney  
 DURAVENT model DVL with DURATEC or DURA-PLUS chimney  
 GSW Super Chimney Twenty-One connected directly to appliance  
 I.C.C. Excel (2100-2 Can.) (103-HT USA) chimney with ULTRABlack connector  
 METALFAB model DW connector with TG chimney  
 OLIVER MACLEOD PROVENT model PV connector with model 3103 chimney  
 SECURITY model DP connector with SECURITY model ASHT or S2100 chimney  
 SELKIRK METALBESTOS model DS connector with model SSII chimney  
 Standard Masonry Chimney with any one of the above listed connectors

**NOTE:** Reduced clearance connectors may not connect to the flue collar – an appliance adapter may be required.

- Stove placement must maintain the following clearances to combustibles (drywall, furniture, etc.)

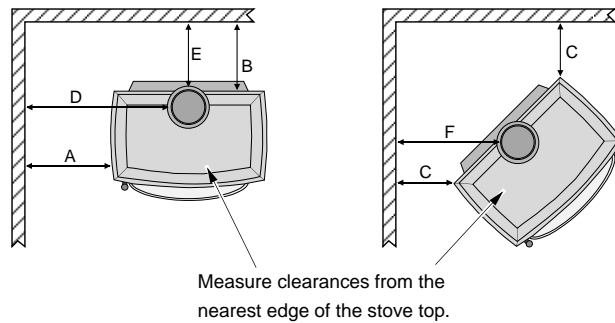


Figure 8

Minimum Clearance (See the illustration above)	Reduced Clearance Connector
A Sidewall to stovetop	16" (406mm)
B Back wall to stovetop	10.5" (267mm)
C Corner wall to stove	9" (229mm)
D Connector to sidewall	26.5" (673mm)
E Connector to back wall	12.25" (311mm)
F Connector to corner wall	18.75" (476mm)

- If using offsets, use the connector clearance listed in Figure 9, **not the connector manufacturer's clearance.**
- The appliance must be secured to the floor (consult your building official). Leg clips are available from Travis Industries (sku 98900509).
- Mobile home installations require a spark arrester at the chimney termination. Follow the chimney manufacturer's instructions for maintaining a proper moisture barrier at the external chimney penetration.
- The appliance must be grounded to the chassis of the mobile home (consult your building official).
- **WARNING: DO NOT INSTALL IN SLEEPING ROOM.**
- **CAUTION: THE STRUCTURAL INTEGRITY OF THE MOBILE HOME FLOOR, WALL, AND CEILING/ROOF MUST BE MAINTAINED.**

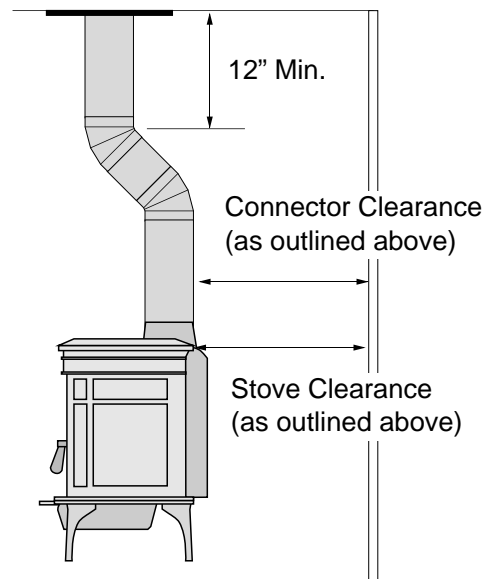


Figure 9

## Standard Ceiling with a Factory-Built Chimney

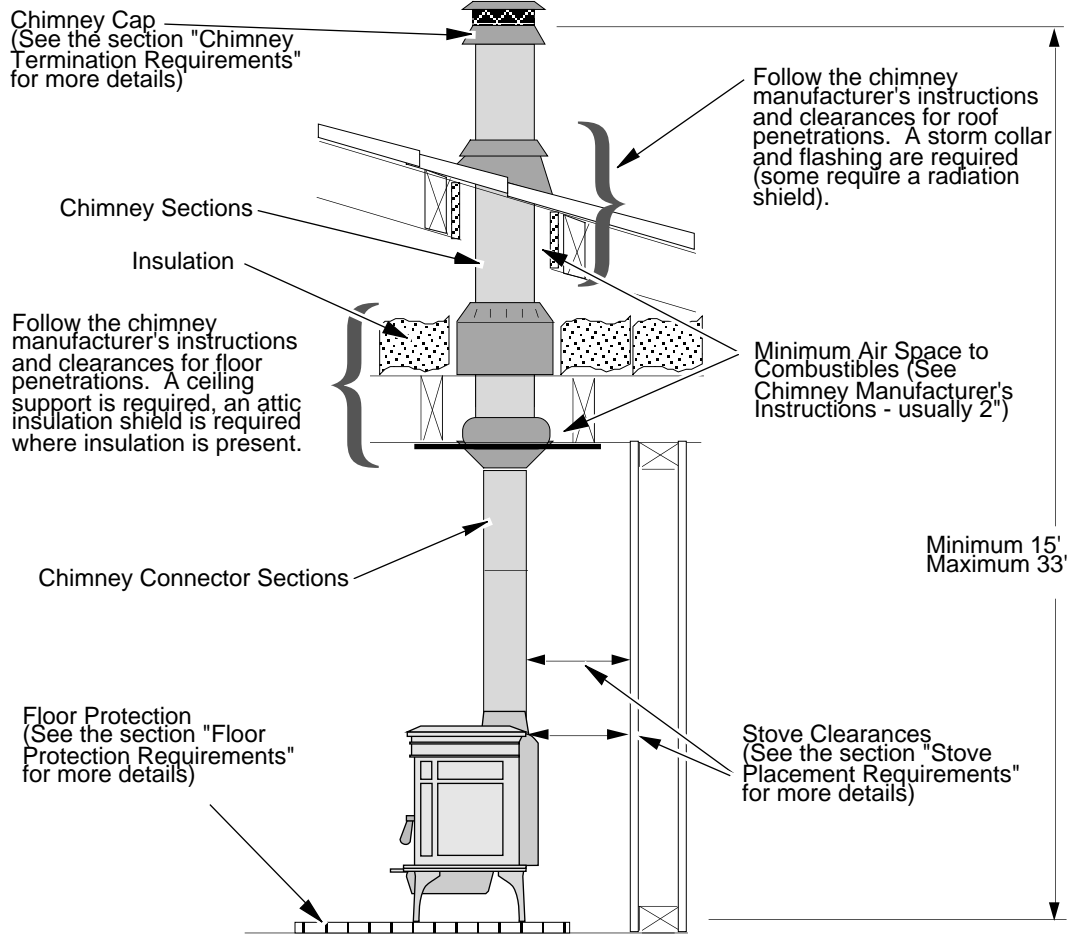


Figure 10

## Cathedral Ceiling with a Factory-Built Chimney

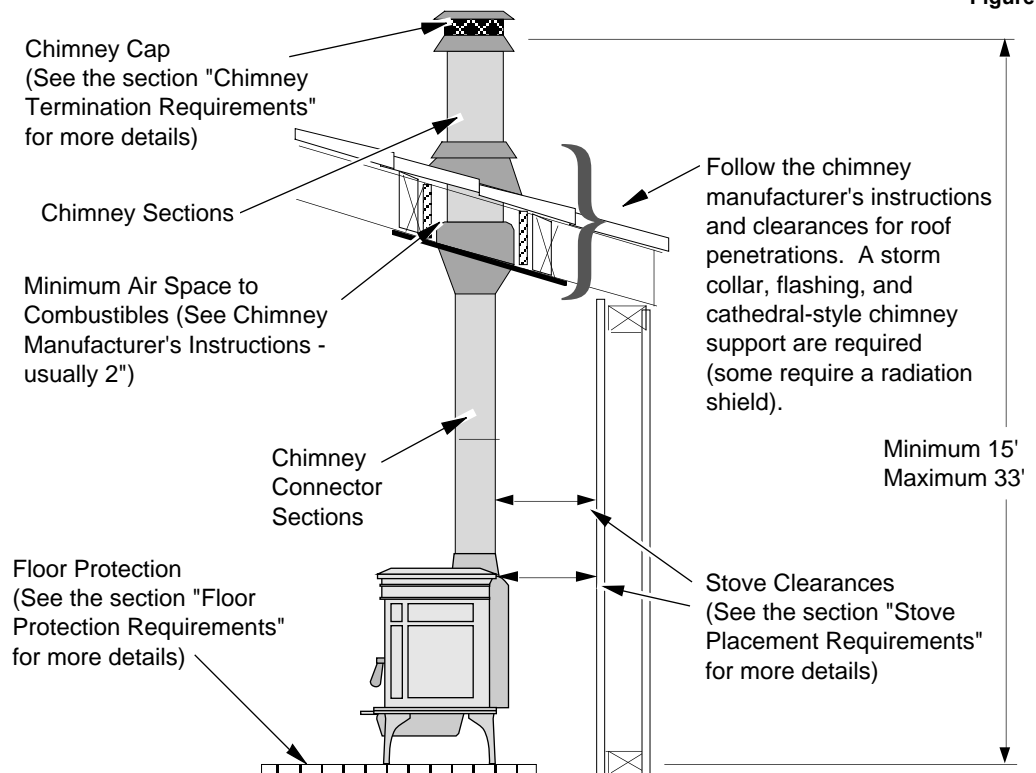


Figure 11

### Exterior Factory-Built Chimney

A vertical rise of 84" of chimney connector is required, measured from the floor, before entering a Class 'A' wall penetration. For those wishing to pass the chimney through the lower wall, a NFPA 211 wall pass-through may be used (if approved by local building codes).

### Floor Protection Under Connector Pipe.

When using any horizontal connector, the floor protection must extend below the connector pipe and 2" in all directions (until it contacts the wall).

### Wall Penetrations Under 84"

In cases where the chimney connector must be passed through a combustible wall or partition under 84", the following NFPA 211 method may be used if local building codes permit. Check with local authorities before installation to insure all necessary requirements have been met. Figure 12 details a wall pass-through based on the NFPA 211 standard. After the pass-through, Class A Chimney may be used in accordance with the chimney installation instructions.

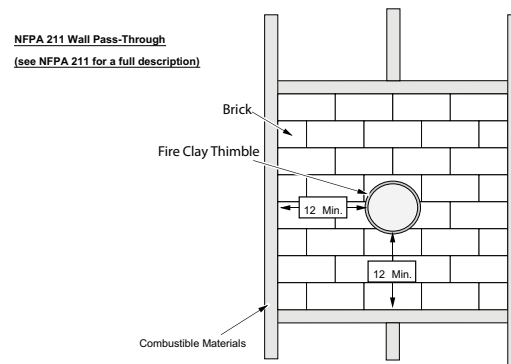


Figure 12

### Wall Penetrations 84" or Greater

A vertical rise of 84" of chimney connector is required, measured from the floor, before entering a Class 'A' chimney wall penetration (see Figure 13 below). Note that the measurement is to the centerline of the flue when it makes a 90 degree bend. Follow the clearances specified by the manufacturer of the double-wall connector (or 18" if using single-wall connector).

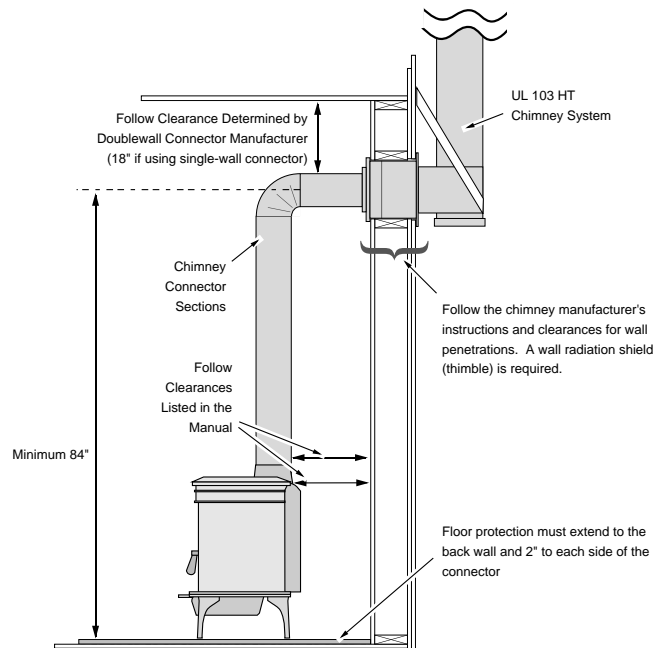


Figure 13

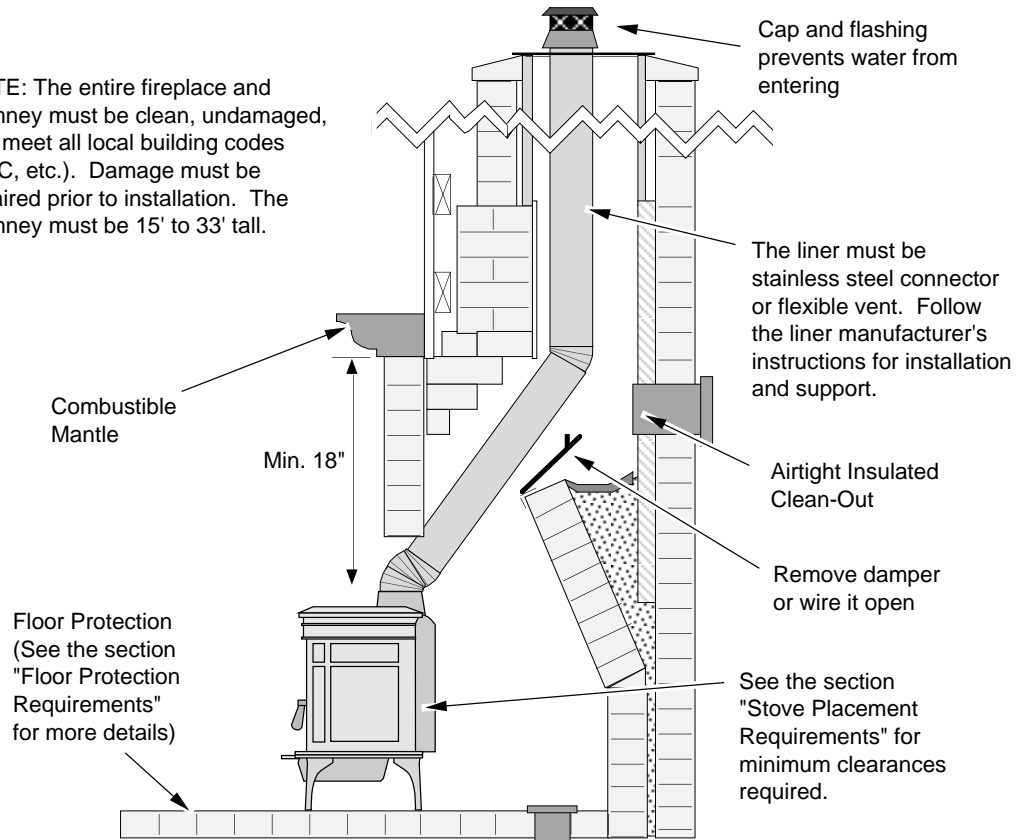


## Hearth Stove Installation

**NOTE:**

This type of installation requires a full reline (positive connection).

NOTE: The entire fireplace and chimney must be clean, undamaged, and meet all local building codes (UBC, etc.). Damage must be repaired prior to installation. The chimney must be 15' to 33' tall.



## Interior or Exterior Masonry Chimney

**NOT ALLOWED IN CANADA UNLESS FULL RELINE IS USED>**

**NOTE:**

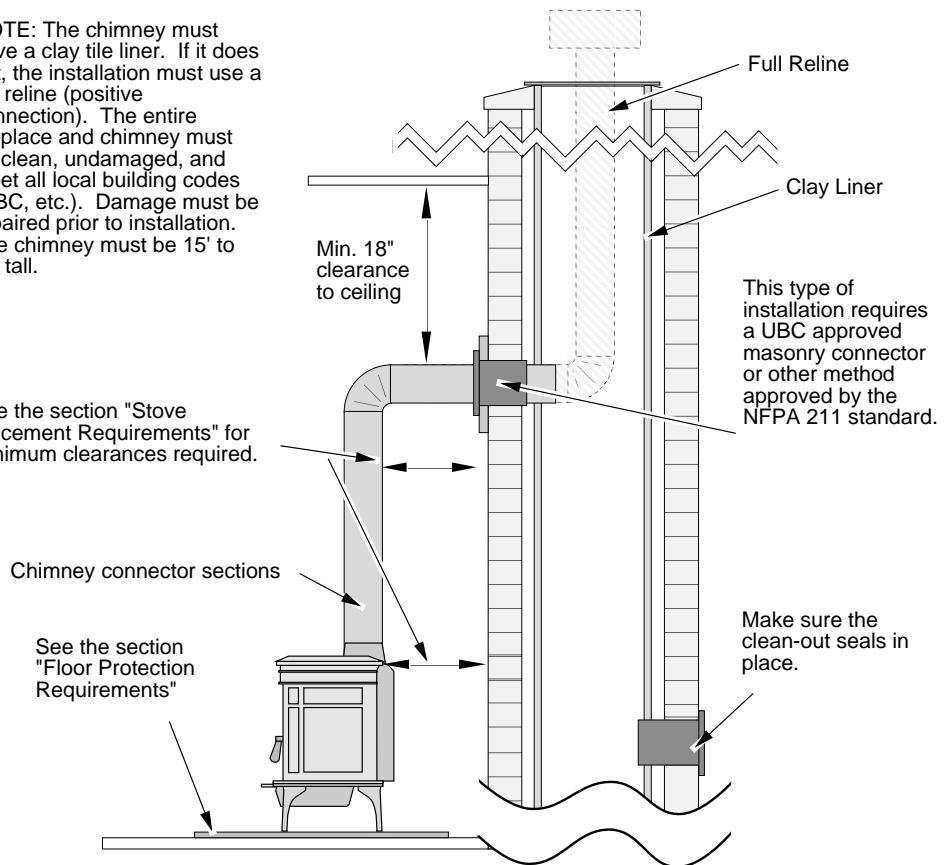
This type of installation requires a UBC approved masonry connector or other method approved by the NFPA 211 Standard. See Chimney Connector Requirements on page 10 for further details.

**WARNING:**

We strongly recommend a full reline (positive connection) when venting through a masonry chimney. The Rockport is equipped with a combustor and may draft poorly without a full reline. We also recommend that a minimum 3' chimney be added to the minimum system height for every 1' of horizontal run.

NOTE: The chimney must have a clay tile liner. If it does not, the installation must use a full reline (positive connection). The entire fireplace and chimney must be clean, undamaged, and meet all local building codes (UBC, etc.). Damage must be repaired prior to installation. The chimney must be 15' to 33' tall.

See the section "Stove Placement Requirements" for minimum clearances required.



## Safety Notice



If this appliance is not properly installed, a house fire may result. For your safety, follow the installation directions. Contact local building or fire officials about restrictions and installation inspection requirements in your area.



Read and follow all of the warnings on pages 4 and 5 of this manual.



**Do not operate this stove with the ash pan open. A fire hazard will result.**

## Before Your First Fire

Verify the Installation:

Before starting the stove, verify that the stove is properly installed and all of the requirements in this manual have been followed.



Keep all flammable materials 36" (914mm) away from the front of the stove (drapes, furniture, clothing, etc.).

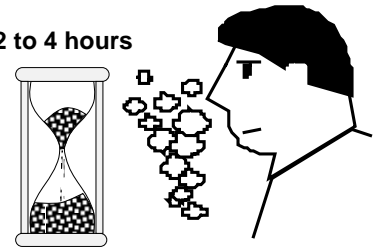
## Curing the Paint

Follow the steps below to cure the paint (first fire):

- Open doors and windows in the room to ventilate the heater during the curing process.
- Vacate the room. The fumes from the initial heating process are non-toxic but may be unpleasant.
- Slowly bring the heater to a medium burn (400°F/204°C) for 45 minutes. Then increase the burn temperature to a hot burn (600°F/315°C) for an additional 45 minutes. This will cure the paint.

**Door Gasket** - The door gasket can adhere to the paint on the front of the heater. To prevent this, carefully open and close the door a few times during the paint curing process.

2 to 4 hours



## Carbon Monoxide (CO) Emissions

Smoke from wood heaters contain CO. This gas is an indication of incomplete combustion and is detrimental to the environment and to your health. The more visible the smoke, the higher the CO levels. Burning dry wood is the most significant step you can take to reduce CO emissions. It is also important to understand the combustion process so you can burn your heater efficiently. Read the manual thoroughly so that you can operate your heater in the most efficient and clean manner possible.

## Over-Firing the Stove

**DO NOT OVERFIRE THIS HEATER:** Attempts to achieve heat output rates that exceed heater design specifications can result in permanent damage to the heater.



This stove was designed to operate at a high temperature. But due to differences in vent configuration, fuel, and draft, this appliance can be operated at an excessive temperature. If the stove top or other area starts to glow red, you are over-firing the stove. Shut the air control down to low and allow the stove to cool before proceeding.

Over-firing may lead to damage. If you are uncertain of over-firing conditions, we suggest placing a stove thermometer (e.g. Rutland® Model 710) directly in front of the flue outlet on the stovetop (see photo below) – temperatures exceeding 700° are generally considered over-firing and will void the warranty.



## Opening the Door



The door becomes hot during use. Use a glove to open the door if the handle is hot.



Do not operate this stove with the door open. A fire hazard will result.



To prevent smoke from entering the room, open the air control and bypass (see instructions below) before opening the door. You can also open the door a small amount and let air enter the firebox to equalize the pressure, and then open the door fully.



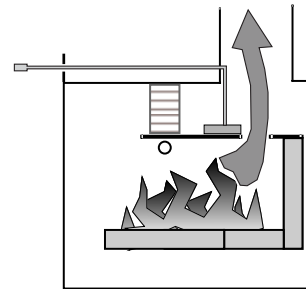
## Bypass Operation

The bypass controls the flow of smoke inside the heater. When pulled out, smoke goes directly up the flue, creating more draft. When pushed in, the smoke goes around the baffle, utilizing the secondary combustion and making the heater more efficient.

- When re-loading, pull the bypass out.
- During normal operation, push the bypass in.

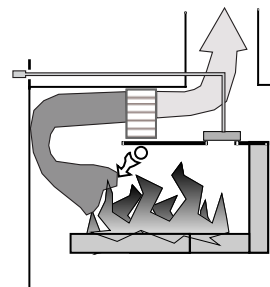
### **Bypass Pulled Out**

Used for starting and re-loading

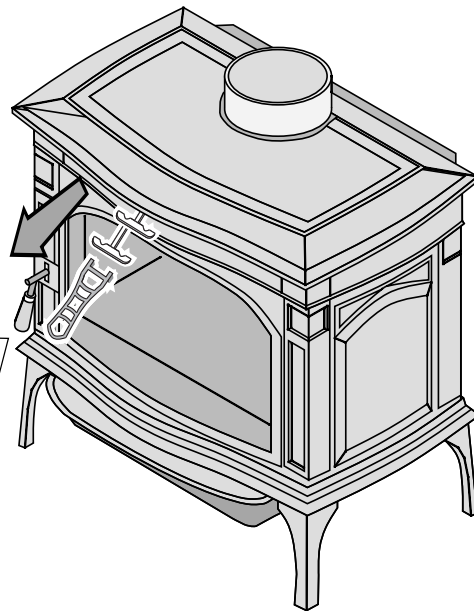


### **Bypass Pushed In**

Used for normal operation



Use the included pull tool to operate the bypass rod



## Maintaining Combustor Burn-Off

### Warning:

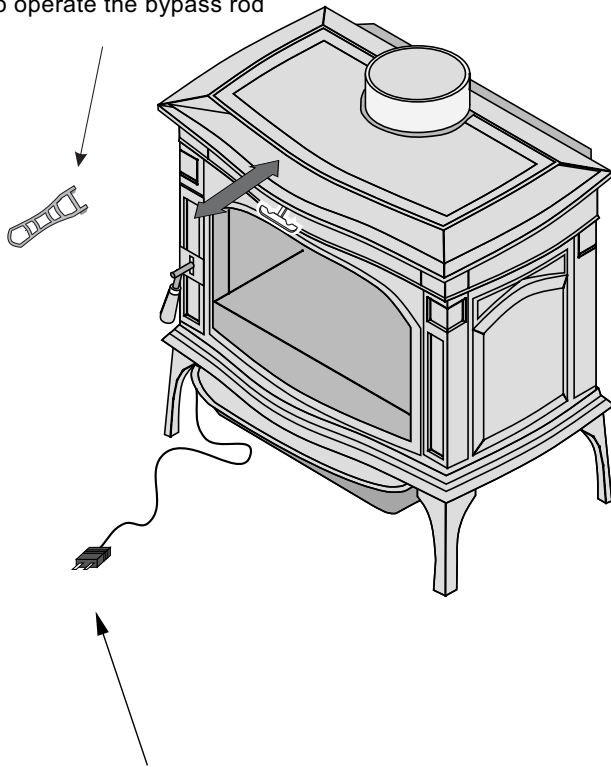
The bypass control becomes hot during operation - use gloves or a tool to prevent burns.

This stove uses a combustor to increase heat transfer to the room and reduce emissions.

### Follow the directions below to utilize the combustor to its fullest potential.

- Keep the by-pass open (pulled out) until the stove becomes hot (approximately 15 to 30 minutes).
- Close the by-pass (push in) when the stove is hot.
- Keep the by-pass closed (pushed in) while the stove is operating, except when re-loading.

Use the included pull tool to operate the bypass rod



The catalytic temperature probe wire is located on the left side. Attach it to the meter (see photo) and place it near the stove.

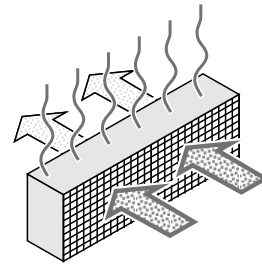
### How to Check if your Combustor is Working

A combustor temperature probe is included with the fireplace to monitor the combustor. After the bypass is engaged, the combustor temperature should rise, showing combustor operation. Combustor temperatures over 500° F (260° C) indicate the combustor is working and igniting unburnt fuel.

The combustor can also be viewed through the glass from below. You will notice the combustor glowing red when the combustor is working effectively.

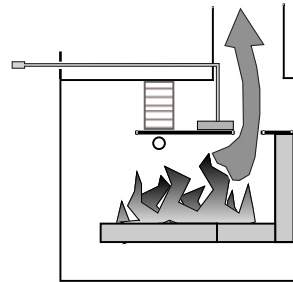
The catalytic combustor takes dirty smoke and turns it into extra heat and cleaner emissions.

**NOTE:** If the combustor is engaged (bypass closed) when the fireplace is still cool, it will not work, leading to dirty smoke, no extra heat, and a dirtier combustor.



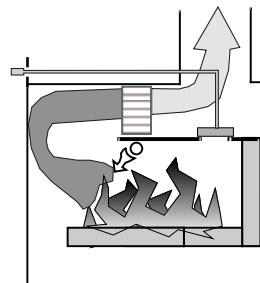
### Bypass Pulled Out

With the by-pass open (pulled out), the smoke passes through the by-pass and does not go through the combustor.



### Bypass Pushed In

With the by-pass closed (pushed in), the smoke passes through the combustor.



Press this ON/HOLD button to view the temperature.

## ***Combustor – Use and Cleaning***

This heater uses a combustor to improve efficiency and reduce emissions. To work at its optimum, the combustor must be kept free of excessive ash. If the heater becomes sluggish when the bypass is closed, flyash may be building up on the combustor. See the directions below to inspect and clean the combustor with the included brush.



### **Inspecting & Cleaning the Combustor**



The combustor becomes very hot during operation. Let the heater cool before cleaning the combustor.

The combustor is located directly above the firebox opening. Make sure the square openings are open for air to pass through. If ash is accumulating, use the brush to clear off visible flyash.

**NOTE:** To thoroughly clean the combustor, use an ash vacuum to pull flyash from the combustor (see page 33).

Combustor



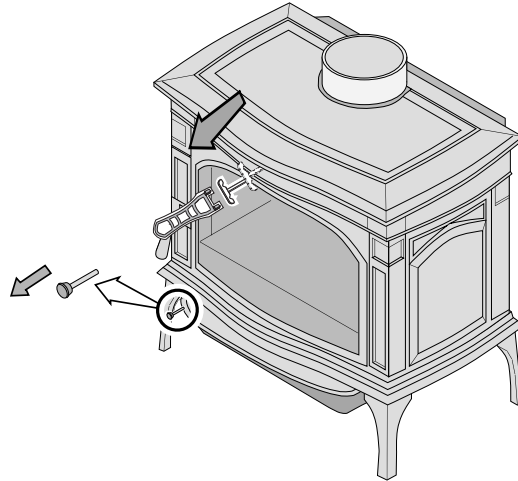
### **Testing your Combustor**

A combustor that is not functioning may still show active temperatures during the medium and high burn rates with the primary fire providing enough heat to hold output temperatures above 500°f. To check the combustor function burn your fireplace for at least 2-3 hours on the medium to high setting ensuring a full coal bed covers the firebox floor and the unit is at operating temperature. Set your burn rate to medium low and monitor the combustor output temperature. The combustor should maintain a temperature above 500°f. If your combustor temp falls below 500°f perform this test two or three times to ensure the results. If your results are the same your combustor may need cleaning or replacement. Note: If you reload your fireplace before starting your burn test burn the new fuel load on high for at least 20 min before setting your burn rate to medium low. If the combustor is determined to be inactive, discontinue use of the appliance until the combustor is replaced.

**Before Starting a Fire**

Use of the optional GreenStart igniter will greatly simplify this process. See page 42.

- Make sure the air control is pulled out. If additional air is needed, open the door 1/4" during the first five minutes of startup.
- Make sure the bypass is pulled out.



**Do not use colored paper or any material other than newspaper and cord wood to start a fire. This may damage the combustor.**



**Never** use gasoline, gasoline-type lantern fuel, kerosene, charcoal lighter fluid, or similar liquids to start or "freshen up" a fire in this stove. Keep all such liquids well away from the stove while it is in use.



**DO NOT USE CHEMICALS OR FLUIDS TO START THE FIRE. DO NOT BURN GARBAGE OR FLAMMABLE FLUIDS SUCH AS GASOLINE, NAPHTHA OR ENGINE OIL.** Do not place such fuel within space heater installation clearances or within the space required for charging and ash removal.



If using a fire-starter, use only products specifically designed for stoves - follow the manufacturer's instructions carefully.



**HOT WHILE IN OPERATION. KEEP CHILDREN, CLOTHING AND FURNITURE AWAY. CONTACT MAY CAUSE SKIN BURNS.**



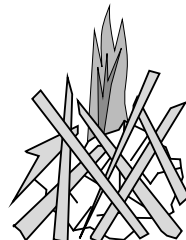
Do not open the ash pan when the stove is lit. An extreme fire hazard will result.



If the smoke does not pass up the chimney, ball up one sheet of newspaper, place it in the center of the firebox and light it. This should start the chimney drafting (this eliminates "cold air blockage").



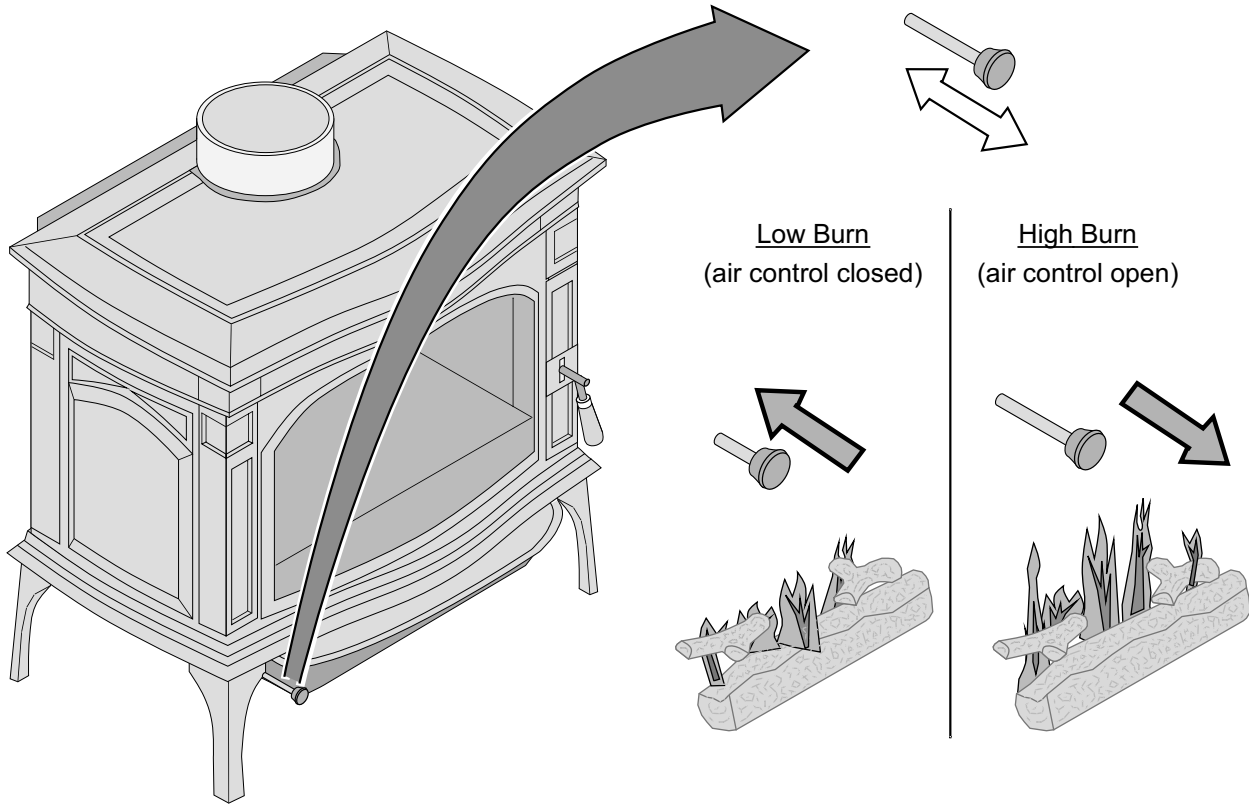
Use plenty of kindling to ensure the stove reaches a proper temperature. Once the kindling is burning rapidly, place a few larger pieces of wood onto the fire.



## Adjusting the Burn Rate

Use the air control slider to control the burn rate of the stove. See the illustration below for details.

Use the air control to change the burn rate.



### Approximate Air Control Settings

High Burn	Fully pulled out
Medium Burn	Pulled out approximately 1/4"
Overnight Burn	Fully pushed in



The air control becomes hot during operation - use gloves or a tool to prevent burns.



The air control may take several minutes to influence the burn rate. When making adjustments, you may wish to let the stove burn for 10 minutes to gauge performance.



## Understanding Your Heater's Combustion System

This heater uses a dual combustion system detailed below:

**Primary Combustion:** This is the combustion (fire) that takes place directly on the wood. Primary combustion determines how fast the fire burns. Air for primary combustion is supplied through the air control. When you adjust the air control you control the amount of air that reaches the fire and creates primary combustion. The air control supplies air to the air wash (the air holes above the door opening – used to help clean the glass) and through the pilot orifice (center bottom of the door opening). By using the air control, and supplying air through these two openings, you control primary combustion.

**Combustion:** This is the combustion (fire) that does not contact the wood. Combustion takes place inside the combustor and is not viewable (you may, however, see the combustor glow). It burns the visible emissions or smoke that is not consumed during primary combustion. Combustion can be monitored by using the included temperature meter. Your combustor is working when the out put temperature is above 500° F. (260°C).

### Items to Consider:

- During medium and high burn rates the stove will manage combustion on its own. When the heater is set to a low burn rate more care is needed to ensure the combustion system works properly. Make sure the stove is hot and a good coal bed is established before adjusting your heater to low burn.
- Understanding the combustion system in this heater will help minimize the visible emissions this heater releases into the environment. The primary pilot orifice at the center bottom of the door opening is designed to help the secondary combustion at low burn settings. The pilot provides a small amount of air that burns up through the fuel load providing the heat and flame needed for the secondary system to ignite. The air tubes under the baffle will ignite smoke in a secondary burn supplementing the primary and combustion systems.
- As you load your heater for a low burn, take care in placing the wood. This will affect how well your system works as the wood is consumed. Do not block the pilot orifice. Stack wood so the pilot air can burn its way up between the pieces, helping your heater burn effectively throughout the low fire. This will reduce the visible emissions your heater produces and increase the amount of heat you get from the wood. If you are unsure how well your heater is burning look at the chimney cap to monitor visible emissions.

## Burning Your Heater

**Starting a Fire:** When starting a fire it is imperative to get the heater hot and drafting as quickly as possible. This promotes combustion and reduces emissions. There are many ways to start a fire and you will become adept as you become familiar with the way your heater burns. Before you start, make sure your burn rate setting (air control) is all the way open and the by-pass (if equipped) is open. We suggest that you use a layer of crumpled newspaper covered with three layers of small kindling, stacked tic tac toe style with approximately ½"-1" gaps between them. Continue to layer wood on top of the kindling with the same air gaps using slightly bigger pieces increasing in size as you stack upward with the final layer being 3-5" diameter pieces loaded on the top. This should fill the firebox. Light the newspaper in several places near the door opening. Shut the door but do not latch it, creating a small opening to allow air to feed the kindling fire. Never leave your heater unattended if your door is not latched shut. While the kindling burns the fire will heat and ignite the larger pieces above. Once the whole load is burning shut and latch the door leaving the burn rate on high. Depending on your heater, the chimney, and the outside environment, you may need to leave your bypass open for up to 20 minutes after lighting the fire. If the fire dies when you shut the bypass you will need to leave it open longer. The presence of a hot coalbed is critical to good combustion. We cannot overstate the importance of a hot coal bed before slowing your burn rate or re-loading your heater. We recommend that you allow the first ignition load of wood to burn through at the high burn rate. This will get your heater up to temperature and establish a coal bed.

**Reloading:** When reloading a hot heater set the burn rate on high for at least 15 min before slowing it down.

**Low Burn:** If preparing for an overnight or low burn a longer heat up period may be necessary. Reload the heater full of wood making sure there are air gaps between the wood pieces so the pilot air can burn up through the middle load keeping the secondary combustion system hot and active throughout the burn. After loading, burn the heater on high for at least 15 minutes before setting the air control to low.



## Ash Removal



Whenever ashes get 3 to 4 inches deep in your firebox or ash pan, and when the fire has burned down and cooled, remove excess ashes. Leave an ash bed approximately 1 inch deep on the firebox bottom to help maintain a hot charcoal bed. Let the stove cool completely before removing ashes (wait at least two hours after the last coal has extinguished). Ashes should be placed in a metal container with a tight-fitting lid. The closed container of ashes should be placed on a noncombustible floor or on the ground, away from all combustible materials, pending final disposal. The ashes should be retained in the closed container until all cinders have thoroughly cooled.

## Ash Pan Removal



**Do not operate this stove with the ash pan open. A fire hazard will result.**



**The ash pan must be properly inserted and fully closed during operation.** Failure to fully close and seal the ash pan may lead to an over-fired stove, negating the warranty and creating a safety hazard.



The ash pan may be removed only after the stove has fully cooled.

To remove the ash pan:

1. Twist the ash pan handle down and pull out the ash pan.



2. Lift out the ash pan by the edges and use the handle to transport the ash pan to the metal container.



### ***Re-Loading the Stove***

---

Follow the directions below to minimize smoke spillage while re-loading the stove.

- 1 Open the air control all the way (pull it out).
- 2 Open the bypass.
- 3 Open the door slightly. Let the airflow inside the firebox to stabilize before opening the doors fully.
- 4 Load wood onto the fire.

### ***Overnight Burn***

---

This stove is large enough to accommodate burn times up to 10 hours. Follow the steps below to achieve an overnight burn.

- 1 Move the air control to high burn and let the stove become hot (burn for approximately 15 minutes).
- 2 Load as much wood as possible. Use large pieces if possible.
- 3 Let the stove burn on high for 15 minutes to keep the stove hot, and then adjust the air control to LOW.
- 4 In the morning the stove should still be hot, with embers in the coal bed. Stir the coals and load small pieces of wood to re-ignite the fire, if desired.



Differences in chimney height and draft may lower overall burn times.

### ***Normal Operating Sounds***

---

#### **Creaks and Clicks:**

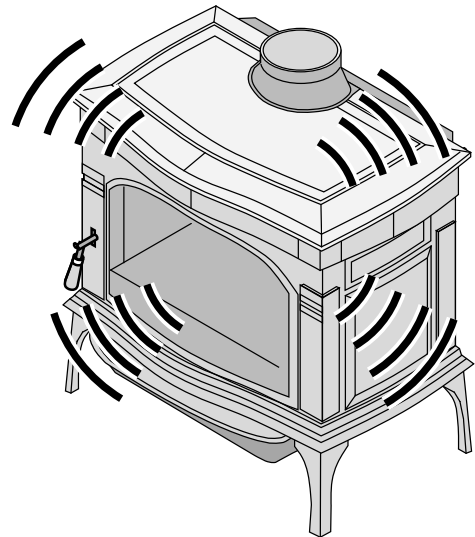
The cast iron may creak or click when the stove heats up and cools down - this is normal.

#### **Blower Sounds:**

The blower will make a slight "hum" as it pushes air through the stove.

#### **Hint:**

Make sure the leveling bolts on legs are extended - preventing the hearth from amplifying any vibrations.



## Hints for Burning

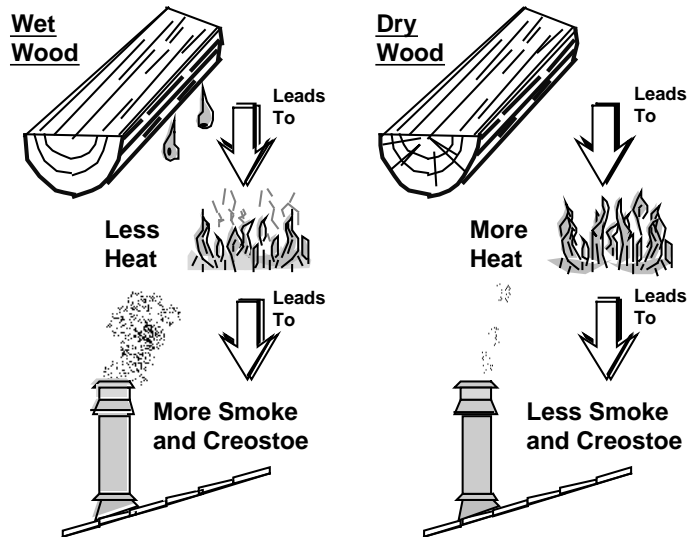
- Get the appliance hot before adjusting to low burn
- Use smaller pieces of wood during start-up and high burns to increase temperature
- Use larger pieces of wood for overnight or sustained burns
- Stack the wood tightly together to establish a longer burn
- Be considerate of neighbors & the environment: burn dry wood only
- Burn small, intense fires instead of large, slow burning fires when possible
- Learn your appliance's operating characteristics to obtain optimum performance

## Selecting Wood



**Burn only untreated wood. Burning other materials such as wood preservatives, metal foils, coal, plastic, sulfur, or oil will damage the combustor.**

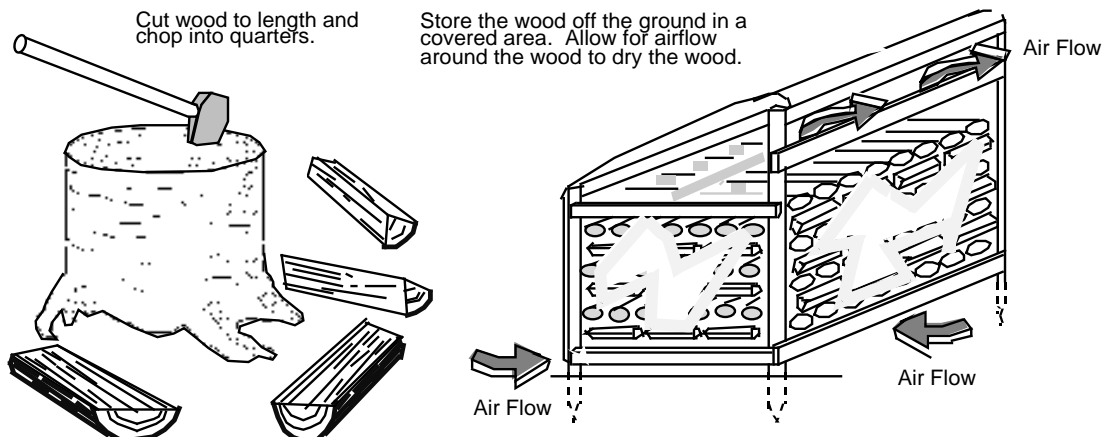
- Dry Wood is Key – 15-20% moisture content
- Dry wood burns hot, emits less smoke and creates less creosote.
- Split wood stored in a dry area will be fully dry within a year. This insures dry wood. If purchasing wood for immediate use, test the wood with a moisture meter. Some experienced wood burners can measure wood moisture by knocking pieces together and listening for a clear "knock" and not a "thud".
- Testing Wood Moisture – Split a piece of wood down the middle and test the center using a wood moisture meter.



## Why Dry Wood is Key

Wet wood, when burned, must release water stored within the wood. This cools the fire, creates creosote, and hampers a complete burn. Ask any experienced wood burner and he or she will agree: dry wood is crucial to good performance.

## Wood Cutting and Storage



**Don't Burn Treated Wood, Wax Logs, Coal, Garbage, Etc.**

This heater is designed to burn natural wood only. Higher efficiencies and lower emissions generally result when burning air dried seasoned hardwoods, as compared to softwoods or to green or freshly cut hardwoods. DO NOT BURN:

- (1) Garbage;
- (2) Lawn clippings or yard waste;
- (3) Materials containing rubber, including tires;
- (4) Materials containing plastic;
- (5) Waste petroleum products, paints or paint thinners, or asphalt products;
- (6) Materials containing asbestos;
- (7) Construction or demolition debris;
- (8) Railroad ties or pressure-treated wood;
- (9) Manure or animal remains;
- (10) Salt water driftwood or other previously salt water saturated materials;
- (11) Unseasoned wood; or
- (12) Paper products, cardboard, plywood, or particleboard. The prohibition against burning these materials does not prohibit the use of fire starters made from paper, cardboard, saw dust, wax and similar substances for the purpose of starting a fire in an affected wood heater.

**Burning these materials may result in release of toxic fumes or render the heater ineffective and cause smoke.**

## *Troubleshooting*

Problem	Possible Cause
<b>Smoke Enters Room During Start-Up</b>	<ul style="list-style-type: none"> <li>• Open the bypass and air control (pg. 23).</li> <li>• Cold Air Blockage - burn a piece of newspaper to establish a draft.</li> <li>• If the flame is not getting enough air, a small crack in the door is all that is needed.</li> </ul>
<b>Kindling Does Not Start - Fire Smolders</b>	<ul style="list-style-type: none"> <li>• Open the bypass and air control (pg. 23).</li> <li>• Not enough starter paper - use additional newspaper if necessary.</li> <li>• If the flame is not getting enough air, a small crack in the door is all that is needed.</li> </ul>
<b>Smoke Enters Room While Re-Loading</b>	<ul style="list-style-type: none"> <li>• Open the bypass and air control before opening the door (pg. 23).</li> <li>• Let the air stabilize before fully opening the door. Then open the door approximately 1 inch. Let air go into the firebox for a few seconds. Once the smoke appears to be flowing up the chimney consistently, open the door.</li> <li>• Insufficient Draft - Chimney height and outside conditions can negatively affect draft. In these cases a small amount of smoke may enter the home. Adding more piping or a draft-inducing cap may help.</li> </ul>
<b>Stove Does Not Burn Hot Enough</b>	<ul style="list-style-type: none"> <li>• Wood is Wet - see the section "Selecting Wood" on page 27 for details on wood.</li> <li>• Make sure the air control is all the way open. Slide the control back and forth to insure the control is not stuck.</li> <li>• Insufficient Draft - Chimney height and outside conditions can negatively affect draft. In these cases the fire may burn slowly. Adding more piping or a draft-inducing cap may help.</li> </ul>
<b>Blower Does Not Run</b>	<ul style="list-style-type: none"> <li>• Stove is Not Up to Temperature - This is normal. The blower will come on when the stove is hot - usually 15 to 30 minutes.</li> <li>• Electricity is cut to the Blower - Check the household breaker or fuse to make sure it is operable.</li> </ul>
<b>Stove Does Not Burn Long Enough</b>	<ul style="list-style-type: none"> <li>• Depending upon wood, draft, and other factors, the burn time may be shorter than stated. Make sure the load door and ash door are sealing and not allowing air into the firebox - See the section "Door and Glass Inspection" on page 31 for details.</li> <li>• Check the ash bed for coals. Often, coals are still glowing under a slight bed of fly ash. By raking these into a pile you can re-start your stove quickly.</li> </ul>



Failure to properly maintain and inspect your appliance may reduce the performance and life of the appliance, void your warranty, and create a fire hazard. Use only specified components. Use of unauthorized components may result in property damage, injury, or even death.



Establish a routine for the fuel, wood burner and firing technique. Check daily for creosote build-up until experience shows how often you need to clean to be safe. Be aware that the hotter the fire the less creosote is deposited, and weekly cleaning may be necessary in mild weather even though monthly cleaning may be enough in the coldest months. Contact your local municipal or provincial fire authority for information on how to handle a chimney fire. Have a clearly understood plan to handle a chimney fire.

### Daily Maintenance (while stove is in use)

#### Remove Ash (if necessary)

- Remove ash as it builds up in the ash pan. Do not let it build up above the grate in the firebox. This will prevent ash from falling in the tray below when the ash pan is removed.
  - 1 Let the stove cool completely (at least two hours after the last coal has extinguished).
  - 2 Place a cloth or cardboard protector over the hearth to catch ash and protect against scratching.
  - 3 Open the door and scoop the ash into a metal container with a tight fitting lid. The closed container of ashes should be placed on a noncombustible floor or on the ground, away from all combustible materials, pending final disposal.



Improperly disposed ashes lead to fires. Hot ashes placed in cardboard boxes, dumped in back yards, or stored in garages, are recipes for disaster.



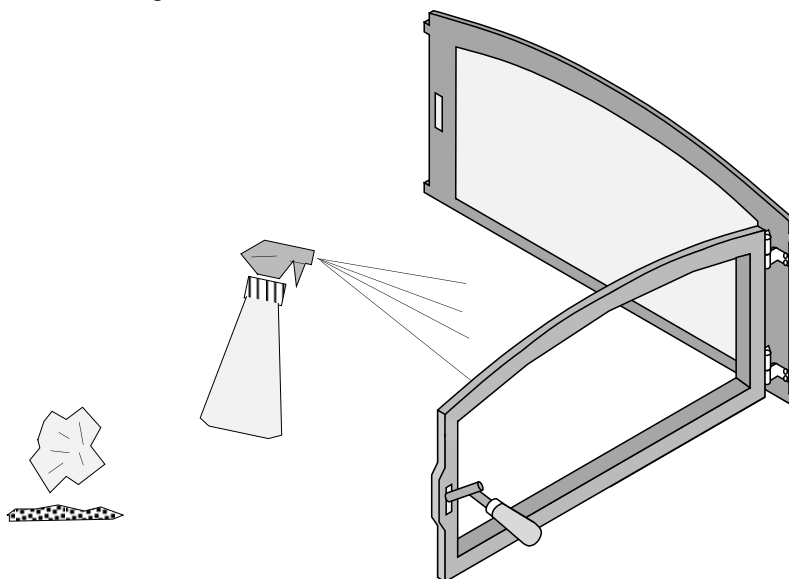
Wood-burning stoves are inherently dirty. During cleaning have a vacuum ready to catch spilled ash (make sure ash is entirely extinguished).



There are vacuum cleaners specifically made to remove ash (even if the ash is warm). Contact your dealer for details.

#### Clean the Glass (if necessary)

This appliance has an air wash to keep the glass clean. However, burning un-seasoned wood or burning on lower burn rates leads to dirtier glass (especially on the sides). Clean the glass by following the directions below. Do not clean glass with abrasive cleaners.



The glass will develop a very slight haze over time. This is normal and will not affect viewing of the fire.

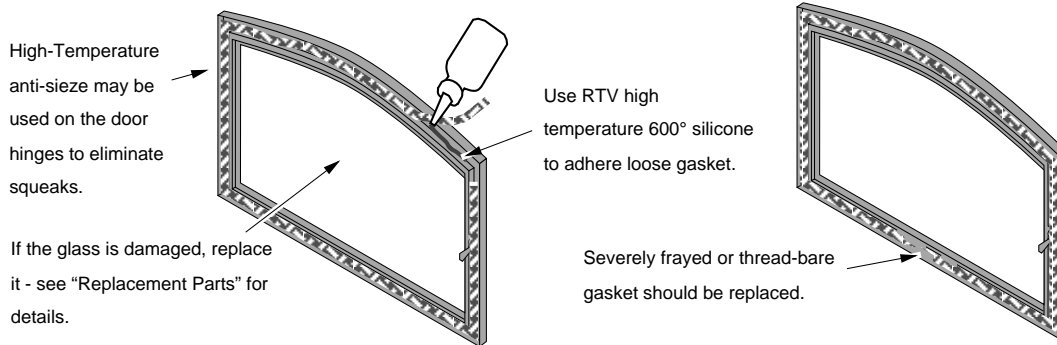
## Monthly Maintenance (while appliance is in use)



Make sure the appliance has fully cooled prior to conducting service.

### Door and Glass Inspection

The door must form an air-tight seal to the firebox for the stove to work correctly. Inspect the door gasket to make sure it forms an air-tight seal to the firebox.

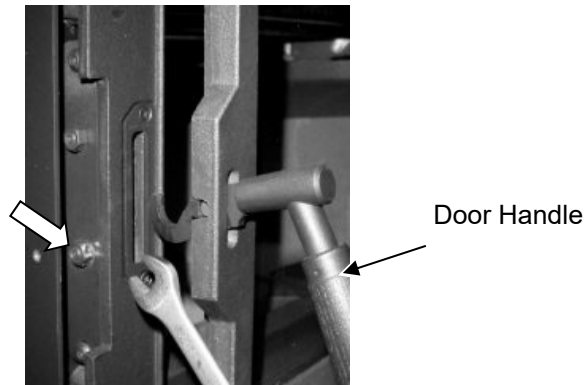


The door latch should pull the door against the face of the stove (but not so tight as to not allow full handle rotation). If the latch requires adjustment, follow the directions below.

### Door Adjustment

The door latch should hold the door tightly against the stove, while allowing the handle to rotate fully. If the latch requires adjusting, follow the directions below.

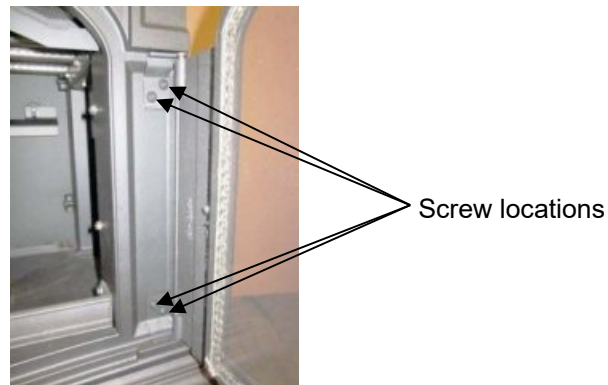
Loosen the bottom nut with a 7/16" wrench (see arrow to the right). Tap the bottom nut inwards, moving the door catch inwards. Tighten the nut and test operation. You may need to repeat this process, either moving the nut inwards or outwards, until the door catch is in the correct position.



### Door Removal

**NOTE:** It will be helpful to have another person hold the door in place while removing the door.

To remove the door, open the door, then remove the four hex screws securing the hinges and remove the door and hinges as one assembly.



### Creosote - Formation and Need for Removal

When wood is burned slowly, it produces tar and other organic vapors, which combine with expelled moisture to form creosote. The creosote vapors condense in the relatively cool chimney flue of a slow-burning fire. As a result, creosote residue accumulates on the flue lining. When ignited, this creosote makes an extremely hot fire. The chimney and chimney connector should be inspected at least once every two months during the heating season to determine if a creosote buildup has occurred. If creosote has accumulated, it should be removed to reduce the risk of a chimney fire.



If you are not certain of creosote inspection, contact your dealer or local chimney sweep for a full inspection. Excess creosote buildup may cause a chimney fire that may result in property damage, injury, or death.



Operating this appliance continually at a low burn rate (air starvation) or using green (un-seasoned wood) will increase the formation of creosote.

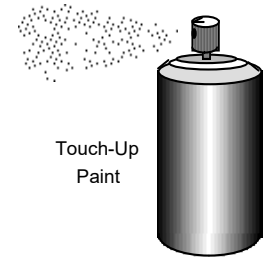
### Yearly Maintenance



Make sure the appliance has fully cooled before servicing.

### Touch-Up Paint

Included with the owner's pack of this appliance is a can of Stove-Brite® paint. To touch up nicks or dulled paint, apply the paint while the appliance is cool. Sand rusted or damaged areas before preparation (use 120-grit sandpaper). Clean and dry the area to prepare the surface. Wait at least one hour before starting the appliance. The touched-up area will appear darker than the surrounding paint until it cures from heat. Curing will give off some fumes while curing – open windows to ventilate.



Touch-Up  
Paint

### Enamel Surfaces

- Use only soft cloth and water to clean enamel surfaces. To fix chips in the enamel, follow the directions below:
  - 1) Let the stove cool. Clean the area thoroughly.
  - 2) Shake the Travis Enamel Touch-Up thoroughly. Apply to the damaged area.

### Cleaning the Air Duct and Blower (if applicable)

Use a vacuum to clean the air ducts (channels). This prevents dust from burning and creating odors. The optional blower should be vacuumed every year to remove any buildup of dust, lint, etc.

### Firebrick and Baffle Inspection

Use the illustrations starting on page 35 as a reference for checking the following items. Make sure the appliance is cool before proceeding.

Secondary Air Tube – Make sure the air tube and pin are intact and not deteriorated. Slight scaling or rusting of the metal is normal.

Wall Firebricks - Replace any severely damaged firebrick along the side of the firebox.



## Cleaning the Combustor

Your combustor is available through an authorized Travis dealer. You can visually check the condition of your combustor by opening the door and looking above the baffle with a flashlight. If there is visible ash accumulation on the surface of your combustor it should be cleaned off with a soft bristled brush. If there is visible creosote buildup (tar substance) on the combustor, burn your stove on high and the creosote should burn off. If the creosote does not burn off your combustor needs to be replaced. If the stove emits excessive smoke on medium and high burns your combustor may need replacement.

NOTE: Use an ash vacuum with brush attachment to clean the combustor.

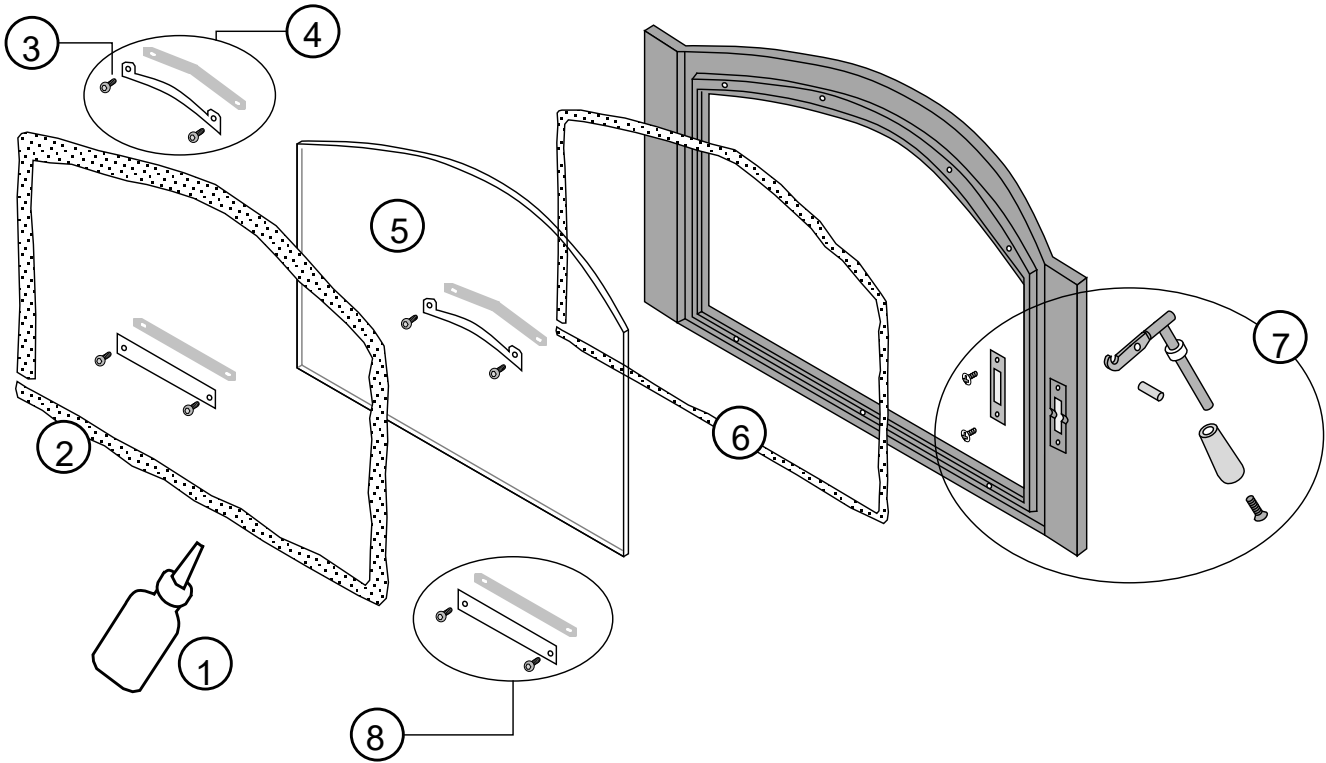
1. With the stove fully cooled, insert the ash vacuum nozzle into the area directly above the door opening.



2. Carefully place the brush surface of the nozzle over the combustor openings and remove any ash or debris. Take care to prevent damage to the combustor (the surface is fragile).



**Door Parts**



ID #	Description	Qty.	Part #	ID #	Description	Qty.	Part #
1	Gasket Cement with Brush		99900427	5	Rockport Glass	1	250-03891
2	Door Gasket	1	250-02832	6	Glass Gasket	1	250-02184
3	Screws (8) 8-32 x 1/2" Torx	1	225-20039	7	Door Handle Assy.	1	250-02074
4	Upper Glass Clips w Gasket (2)	1	250-03515	8	Lower Glass Clips w Gasket (2)	1	250-03514

**Replacing the Glass**



The glass must not contact the door retainer or glass clips directly. The glass gasket and glass clip gaskets insulate the glass to prevent cracking. Do not over-tighten the glass clips. Do not use substitute materials.

**Replacing the Door Gasket**

The door gasket inserts into the outer groove of the door, and is held in place with RTV high-temperature silicone. Before installing, remove any residual cement. Lay the gasket in place (start at the lower right corner) and cut off any excess gasket.

NOTE: Do not stretch the gasket. You may need to open and close the door repeatedly to get the gasket to seat fully.

**Replacing the Door Handle**

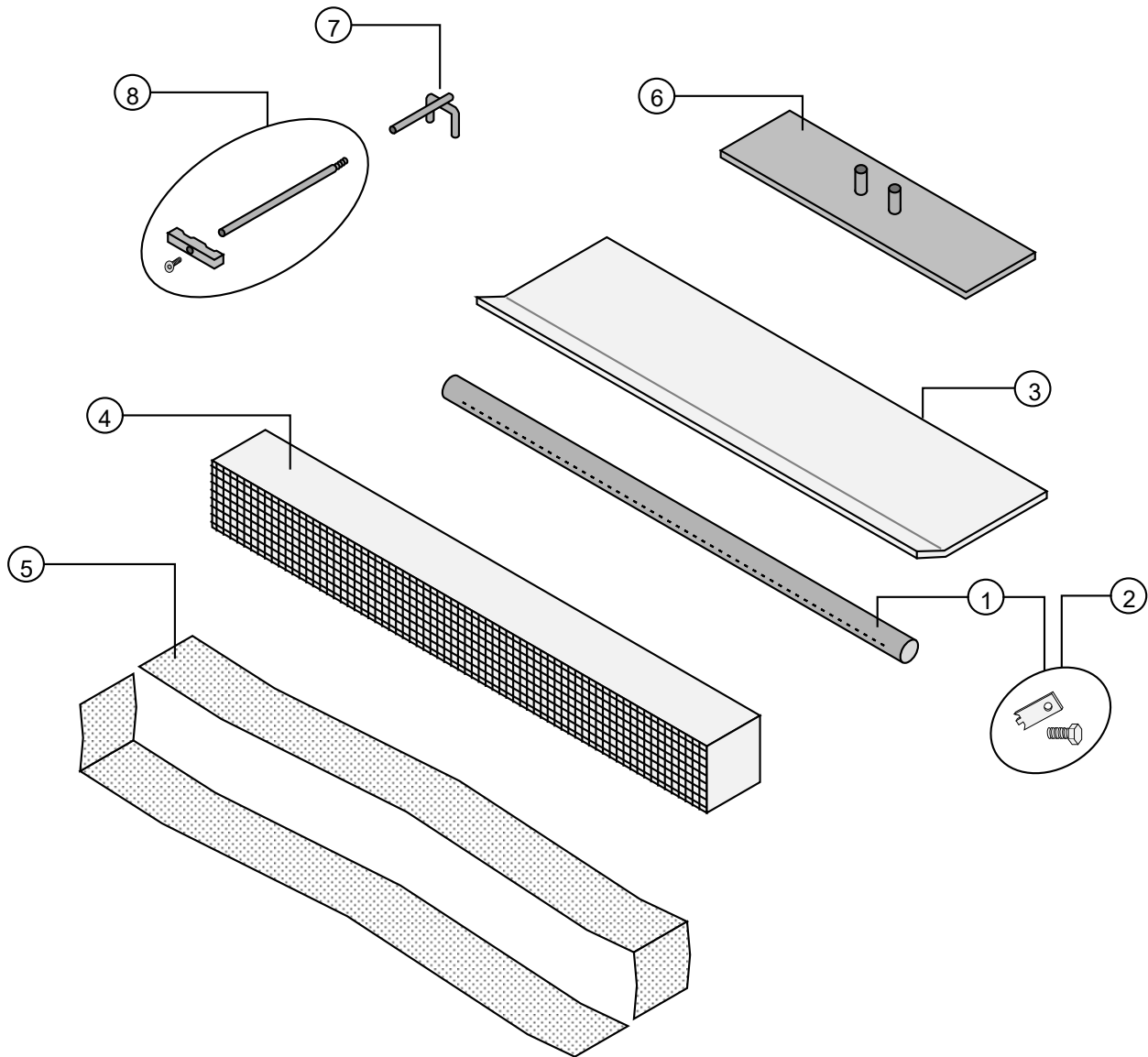
See the illustration above for a component list (see page 31 for details on adjusting the door).

**Removing the Door**

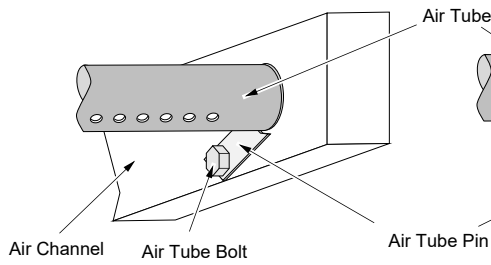
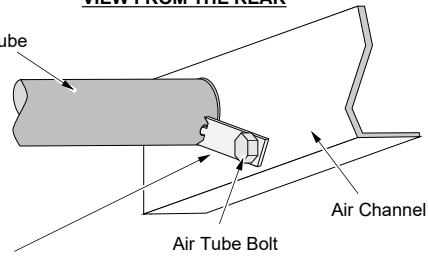
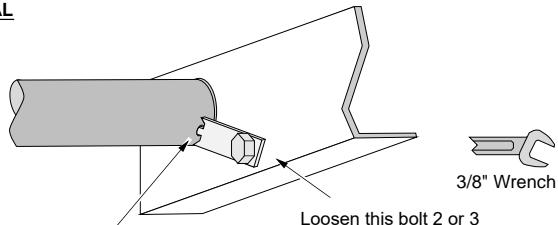
To remove the door, open the door, then remove the four hex screws securing the hinges and remove the door and hinges as one assembly (see page 31 for details on removing the door).

NOTE: It will be helpful to have another person hold the door in place while removing the screws.

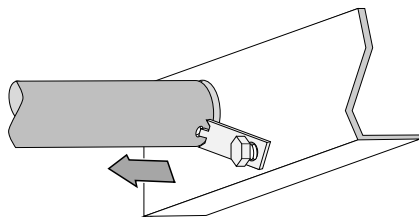
**Firebox Parts**



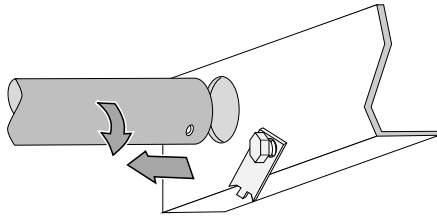
ID #	Description	Qty.	Part #	ID #	Description	Qty.	Part #
1	Air Tube (with pin, screw)	1	98900248	5	Combustor Gasket	1	250-02643
2	Air Tube Pin w Screw	1	250-02186	6	Bypass Slider	1	250-03887
3	Deflector	1	250-03889	7	Bypass Yoke Assy.	1	250-04485
4	Combustor with Gasket	1	250-02489	8	Extension Rod with Handle	1	250-03901

***Air Tube Removal & Replacement*****VIEW FROM THE FRONT****VIEW FROM THE REAR****AIR TUBE REMOVAL**

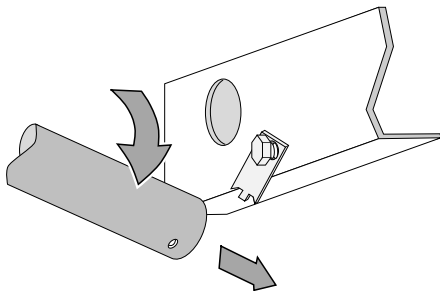
Note how the center of the air tube pin inserts into a hole on the air tube.



With the bolt loosened the air tube can be slid out of the air channel.



The pin will then disengage from the air tube (you may wish to rotate the tube slightly).



Pivot the air tube downwards and slide it out of the air channel on the opposite side.

## ***Combustor Removal***

Remove the air deflector at the back of the firebox. Open the bypass and reach through the bypass hole and push the combustor out from the rear. The combustor is housed in a steel frame and is sealed with interram gasket. This gasket, when heated, expands and seals the combustor in place. Push on the left and right side edges of the combustor frame so that it slides out evenly (the gasket will deteriorate and fall away as the combustor is dislodged). If the combustor is pushed at a side angle it will lodge in place and not come out.

When replacing the combustor, use a new interram gasket around the perimeter of the combustor. The gasket will expand as the stove is heated.

## ***Temperature Probe Replacement***

The Rockport is shipped with the combustor temperature probe held in place with a bend-up clip (used to hold the probe in place during shipping). The pictures below show the top of the stove with the top casting removed.



To remove the probe, bend the clip down and slide the probe out. The probe is shipped with sealing cement around the probe. This cement, over time, will degrade, making removal easier. You can seal this area with furnace cement (or other non-combustible), or you can wedge it into place (this area is small and subject to negative pressure). When replacing the probe, you do not need to bend the clip back (gravity will hold the probe in place).

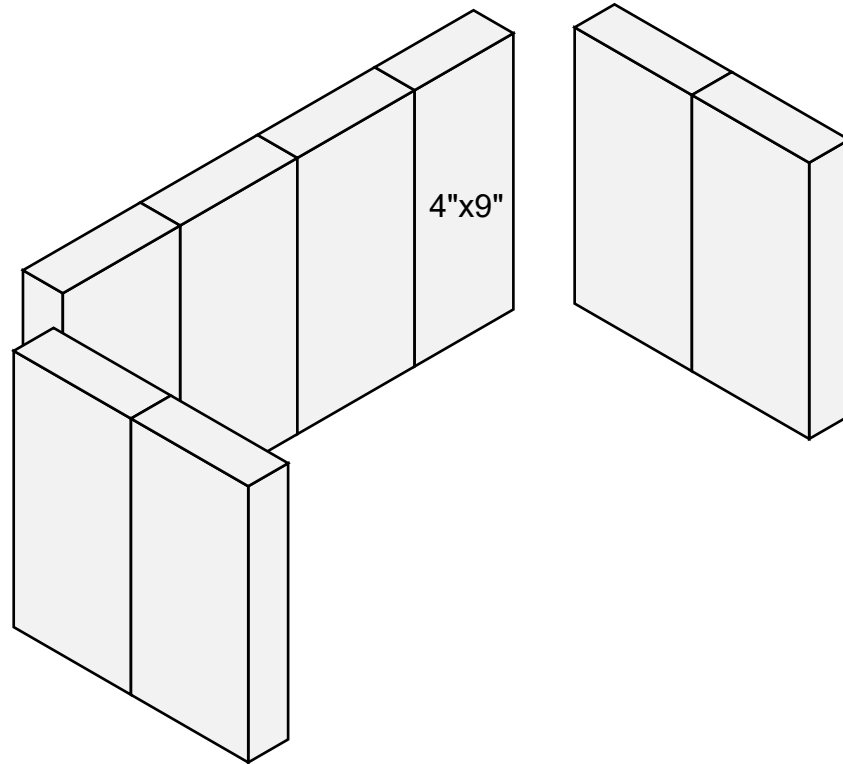


***Firebrick Removal & Replacement***

---

**Do not pry firebricks - they chip and crack easily.** Remove the firebricks by lifting them out by the bottom edges. Clean the firebox before replacing the firebricks.

NOTE: There is one fireback that is slightly smaller – it is used on the back wall of the firebox.



Register your TRAVIS INDUSTRIES, INC. Limited 5 Year Warranty online at [traviswarranty.com](http://traviswarranty.com). TRAVIS INDUSTRIES, INC. warrants this gas appliance (appliance is defined as the equipment manufactured by Travis Industries, Inc.) to be defect-free in material and workmanship to the original purchaser from the date of purchase as follows:

Check with your dealer in advance for any costs to you when arranging a warranty call. Mileage or service charges are not covered by this warranty. This charge can vary from store to store.

## Year 1 - COVERAGE: PARTS & LABOR

- **Cast Iron Parts:**  
Warranted against breakage, cracking, or burn through.
- **Firebox Assembly:**  
Firebox, Baffle Supports, Air Tubes, Air Channels, Convection Chamber
- **Door Assembly:**  
Cast Door, Latch Assembly, Glass Retainers
- **Air Control Assembly**  
Slider Plate, Pressure Plate
- **Ceramic Glass**  
Glass (breakage from thermal shock)
- **Combustor**  
Combustor (see "Conditions and Exclusions" # 10)
- **Firebrick**  
Breakage from thermal shock
- **Enamel Finish**  
Warranted against peeling or fading, excluding chipping, mechanical abrasion, or crazing.
- **Accessories**  
Legs, Pedestal, Blower, GreenStart™ Igniter
- **Re-Installation Allowance**  
In cases where heater must be removed from home for repairs, a partial cost of re-installation is covered (pre-authorization required)
- **One-Way Freight Allowance**  
One-way freight allowance on pre-authorized repair done at factory is covered.

**Exclusions:** Paint, Gasketing

## Years 2 THROUGH 3 - COVERAGE: PARTS & LABOR

- **Cast Iron Parts:**  
Warranted against breakage, cracking, or burn through.
- **Firebox Assembly:**  
Firebox, Baffle Supports, Air Tubes, Air Channels, Convection Chamber
- **Air Control Assembly**  
Slider Plate, Pressure Plate
- **Combustor**  
Coverage for thermal crumbling and disintegration only
- **Door Assembly:**  
Cast Door, Latch Assembly, Glass Retainers
- **One-Way Freight Allowance**  
One-way freight allowance on pre-authorized repair done at factory is covered.

**Exclusions:** Paint, Gasketing, Enamel Finish, Accessories, Glass, Firebrick, Re-Installation Allowance

## Years 4 THROUGH 5 - COVERAGE: PARTS

- **Firebox Assembly:**  
Firebox, Baffle Supports, Air Tubes, Air Channels, Convection Chamber
- **Air Control Assembly**  
Slider Plate, Pressure Plate
- **Combustor**  
Coverage for thermal crumbling and disintegration only
- **Door Assembly:**  
Cast Door, Latch Assembly, Glass Retainers

**Exclusions:** Paint, Gasketing, Cast Iron Parts, Enamel Finish, Accessories, Glass, Firebrick, Re-Installation Allowance, One-Way Freight Allowance, Labor Charges

---

**CONDITIONS & EXCLUSIONS**


---

1. This new appliance must be installed by a qualified installer. It must be installed, operated, and maintained at all times in accordance with the instructions in the Owner's Manual. Any alteration, willful abuse, accident, neglect, or misuse of the product shall nullify this warranty.
2. This warranty is nontransferable, and is made to the ORIGINAL purchaser, provided that the purchase was made through an authorized Travis dealer.
3. Discoloration and some minor expansion, contraction, or movement of certain parts and resulting noise, is normal and not a defect and, therefore, not covered under warranty.
4. This warranty does not cover misuse of the stove. Misuse includes over-firing (operation where the connector or stove may glow red) of this appliance can cause serious damage and will nullify this warranty. Misuse includes use of salt saturated wood, chemically treated wood, or any fuel not recommended in the manual.
5. Damage to the stove due to improper break-in procedures (see manual for proper break in).
6. The salt air environment of coastal areas or a high humidity environment can be corrosive to the castings. These conditions can be corrosive and can cause the cast iron to rust. This warranty does not cover any damage caused by a salt air or high humidity environment.
7. Damage to the appliance while it is in transit is not covered by this warranty, but is subject to a claim against the common carrier.
8. The warranty, as outlined within this document, does not apply to the chimney components or other Non-Travis accessories used in conjunction with the installation of this product. If in doubt as to the extent of this warranty, contact your authorized Travis retailer before installation.
9. Travis Industries will not be responsible for inadequate performance caused by environmental conditions such as nearby trees, buildings, roof tops, wind, hills or mountains or negative pressure or other influences from mechanical systems such as furnaces, fans, clothes dryers, etc.
10. Damage to the combustor due to mishandling, removal, cleaning, or other handling is not covered. Degradation of the combustor due to burning of anything other than natural cord wood is not covered. Burning of trash, garbage, artificial or paper logs, gift wrappings, coal, lighter fluids, chemical starters, treated or painted wood, driftwood or chemical cleaners will void the combustor warranty. These items contain chemicals that may cause the combustor to become deactivated.
11. This Warranty is void if:
  - a. The appliance has been operated in atmospheres contaminated by chlorine, fluorine or other damaging chemicals.
  - b. The appliance is subject to submersion in water or prolonged periods of dampness or condensation.
  - c. Any damage to the appliance, combustion chamber, heat exchanger or other components due to water, or weather damage which is the result of, but not limited to, improper chimney/venting installation.
12. Exclusions to this 5 Year Warranty include: injury, loss of use, damage, failure to function due to accident, negligence, misuse, improper installation, alteration or adjustment of the manufacturer's settings of components, lack of proper and regular maintenance, damage incurred while the appliance is in transit, alteration, or act of God.
13. This 5 Year warranty excludes damage caused by normal wear and tear, such as paint discoloration or chipping, worn or torn gasketing, chipped or cracked firebrick, etc. Also excluded is damage to the appliance caused by abuse, improper installation, modification of the appliance, or the use of fuel other than that for which the appliance is configured (use cord wood only).
14. Damage to brass or plated surfaces caused by fingerprints, scratches, melted items, or other external sources left on the surfaces from the use of abrasive cleaners is not covered in this warranty. Damage to the surfaces from over-firing (operation where the steel may glow red) is not covered in this warranty.
15. TRAVIS INDUSTRIES, INC. is free of liability for any damages caused by the appliance, as well as inconvenience expenses and materials. Incidental or consequential damages are not covered by this warranty. In some states, the exclusion of incidental or consequential damage may not apply.
16. This warranty does not cover any loss or damage incurred by the use or removal of any component or apparatus to or from the Travis appliance without the express written permission of TRAVIS INDUSTRIES, INC. and bearing a TRAVIS INDUSTRIES, INC. label of approval. This warranty does not cover a stove repaired by someone other than a Travis Industries authorized dealer.
17. Any statement or representation of Travis products and their performance contained in Travis advertising, packaging literature, or printed material is not part of this 5 year warranty.
18. This warranty is automatically voided if the appliance's serial number has been removed or altered in any way. If the appliance is used for commercial purposes, it is excluded from this warranty.
19. No dealer, distributor, or similar person has the authority to represent or warrant Travis products beyond the terms contained within this warranty. TRAVIS INDUSTRIES, INC. assumes no liability for such warranties or representations.
20. Travis Industries will not cover the cost of the removal or re-installation of hearths, facing, mantels, venting or other components.
21. If for any reason any section of this warranty is declared invalid, the balance of the warranty remains in effect and all other clauses shall remain in effect.
22. This 5 year warranty is the only warranty supplied by Travis Industries, Inc., the manufacturer of the appliance. All other warranties, whether express or implied, are hereby expressly disclaimed and purchaser's recourse is expressly limited to the warranties set forth herein.

---

**IF WARRANTY SERVICE IS NEEDED:**

1. If you discover a problem that you believe is covered by this warranty, you MUST REPORT it to your Travis dealer WITHIN 30 DAYS, giving them proof of purchase, the purchase date, and the model name and serial number.
2. Travis Industries has the option of either repairing or replacing the defective component.
3. If your dealer is unable to repair your appliance's defect, he may process a warranty claim through TRAVIS INDUSTRIES, INC., including the name of the dealership where you purchased the appliance, a copy of your receipt showing the date of the appliance's purchase, and the serial number on your appliance. At that time, you may be asked to ship your appliance, freight charges prepaid, to TRAVIS INDUSTRIES, INC. TRAVIS INDUSTRIES, INC., at its option, will repair or replace, free of charge, your appliance if it is found to be defective in material or workmanship within the time frame stated within this 5 year warranty. TRAVIS INDUSTRIES, INC. will return your appliance, freight charges (years 1 to 3) prepaid by TRAVIS INDUSTRIES, INC., to your regional distributor, or dealership.
4. Check with your dealer in advance for any costs to you when arranging a warranty call. Mileage or service charges are not covered by this warranty. This charge can vary from store to store.
5. Any appliance or part thereof that is repaired or replaced during the limited warranty period will be warranted under the terms of the limited warranty for a period not to exceed the remaining term of the original limited warranty or three (3) months, whichever is longer.



## Listing Label

SERIAL NO:

MODEL:  
**ROCKPORT**  
with Hybrid-Fire™  
Certified for USA and Canada

**DO NOT REMOVE THIS LABEL**  
CONTACT LOCAL BUILDING OR FIRE OFFICIALS ABOUT INSTALLATION AND RESTRICTIONS IN YOUR AREA.  
SUITABLE FOR USE IN FACTORY-BUILT (I.C.) FIREPLACES AND MASONRY FIREPLACES.

CONFORMS TO UL STD 1482-11; CERTIFIED TO ULC STD 8627-2000

**PREVENT HOUSE FIRES** - Install and use only in accordance with the manufacturer's installation and operating instructions. Contact your local building or fire officials about restrictions and installation inspection in your area. Refer to local building codes and manufacturer's instructions for precautions required for passing a chimney through a combustible wall or ceiling. Do not run a chimney connector through a combustible wall or ceiling. Do not connect this unit to a chimney flue serving another appliance. Clearances may be reduced by methods specified in NFPA 211, listed wall shields, pipe shields, or other means approved by local building or fire officials. This wood heater contains a catalytic combustor, where both need periodic inspection and replacement for proper operation. Consult the owner's manual for further information. It is against federal regulations to operate this wood heater in a manner inconsistent with operating instructions in the owner's manual, or if the catalytic element is deactivated or removed. **CAUTION:** the combustor used in this appliance (part no. 174-01111) is fragile and must be handled carefully. Burning of metal foils, plastic, garbage, sulphur and diesel oil will render the catalyst in the combustor inactive. The performance and durability of the combustor has not been evaluated as part of the certification.

Do not route power cord under or in front of appliance.  
Replace glass only with 5mm neoceramic or ceramic glass.  
Must be installed with legs provided.  
Electrical Rating: 115V, 60 Hz, 1.8 Amps  
Optional Blower: # 99000143

**U.S. ENVIRONMENTAL PROTECTION AGENCY**

Certified to comply with 2020 particulate emission standards using cord wood.  
1.71 g/h, EPA Alt-125, ASTM E3093-17, ASTM 2915-11, CSA B415.1-10

DATE OF MANUFACTURE

2018	2019	2020	2021	Jan	Feb	Mar	Apr	May	Jun	Jul	Aug	Sep	Oct	Nov	Dec
<input type="checkbox"/>	<input type="checkbox"/>	<input type="checkbox"/>	<input type="checkbox"/>	<input type="checkbox"/>	<input type="checkbox"/>	<input type="checkbox"/>	<input type="checkbox"/>	<input type="checkbox"/>	<input type="checkbox"/>	<input type="checkbox"/>	<input type="checkbox"/>	<input type="checkbox"/>	<input type="checkbox"/>	<input type="checkbox"/>	<input type="checkbox"/>

Made in U.S.A.

1196

Manufactured by:  
**TRAVIS INDUSTRIES, INC.**  
12451 Harbour Reach Drive  
Mukilteo, WA 98275  
www.travisproducts.com

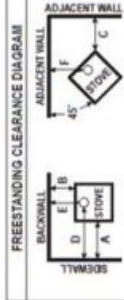


**FREESTANDING INSTALLATION**

**STANDARD RESIDENTIAL FREESTANDING INSTALLATIONS REQUIRE:** 6" diameter, minimum 24 MSG black, with listed UL-103 HT factory-built chimney, suitable for use with solid fuels or masonry chimney. Pedestal or legs are required.  
**ALCOVE INSTALLATIONS REQUIRE:** One of the Listed doublewall connectors, listed below.  
**MANUFACTURED HOME AND REDUCED CLEARANCE INSTALLATIONS REQUIRE:** One of the Listed double-wall connectors listed below. In addition, manufactured home installations require outside air - use the optional pedestal or outside air boot.

- AMERI-TEC model DCC connector with model HS chimney
- DURA-VENT model DVL connector with DURA-PLUS chimney
- G5W-JAMES EVANS SUPERPIPE 2100
- I.C.C. EXCEL (103-HT) chimney with HP connector
- METALFAB model DW connector with TO chimney
- OLIVER MACLEOD PROVENT model PV connector with model 3103 chimney
- SECURITY model DP connector with SECURITY model ASHT or S2100 chimney
- SELKIRK METALBESTOS model DS connector with model S58 chimney
- OLYMPIA VENTIS® with Ventis double-wall black stove pipe

Minimum Clearances To Combustibles And Non Combustibles	Singlewall Connector Conventional Residential Installations	Alcove, Manufactured Home and Reduced Clearance Conventional Residential Installations
A.	16 in. / 407 mm	16 in. / 407 mm
B.	16 in. / 407 mm	18.5 in. / 467 mm
C.	9 in. / 229 mm	9 in. / 229 mm
D.	27 in. / 689 mm	26.5 in. / 674 mm
E.	18.25 in. / 464 mm	12.25 in. / 311 mm
F.	19.25 in. / 489 mm	19.25 in. / 487 mm
G.	US: 8 in. (153 mm) / CAN: 8 in. (204 mm)	US: 6 in. (153 mm) / CAN: 8 in. (204 mm)
H.	US: 16 in. (407 mm) / CAN: 16 in. (407 mm)	US: 16 in. (407 mm) / CAN: 18 in. (458 mm)



**ALCOVE SPECIFICATIONS**

Min. Alcove Depth:	48 in. (1228 mm)
Min. Alcove Height:	*48 in. (1228 mm)
Min. Alcove Width:	84 in. (2134 mm)
	*6 in. (153 mm) from stove top
	*48.25 in. (1223 mm)

\* Non-combustible Alcove minimum clearances



***Rear Blower (Part # 99000139)***

An optional rear blower is available for your stove. This accessory pushes heated air into the room. Contact your dealer for details.

***GreenStart™ Woodstove Igniter (Part # 94400951)***

The optional GreenStart™ igniter is available for your stove. This accessory starts your fire with a simple push of a button.



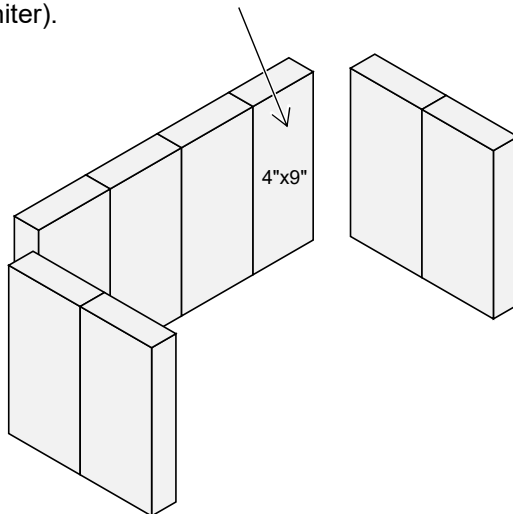
### ***GreenStart Igniter Installation Addendum***

This stove may use the optional GreenStart igniter. When installing, follow the instructions listed under the "Cape Cod" heading in the installation instructions included with the igniter. When installing, make sure to accommodate the following:

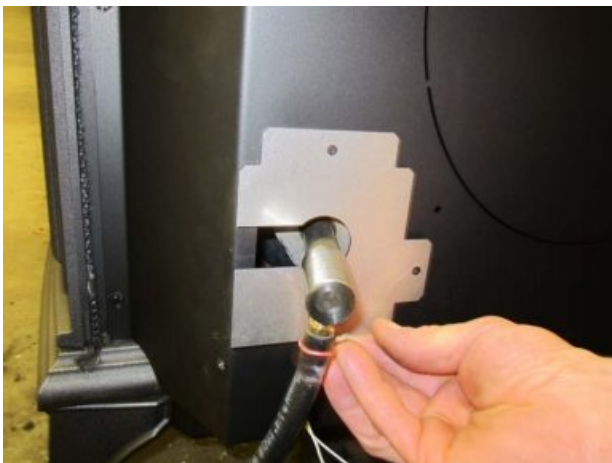
(a) Pry out this cover plate on the back of the stove.



(b) Replace the 4"x9" right backwall firebrick with the igniter firebrick included with the stove (it has a hole in for the igniter).



(c) Make sure to attach the cover plate and cover box to the stove after the igniter is in place (these components, along with screws, are included with the stove).



Adjusting the Burn Rate .....	23	Hints for Burning .....	27
Air Tube Removal & Replacement.....	36	Installation Options .....	6
Alcove Installation Requirements.....	13	Listing Label.....	41
Ash Pan Removal .....	25	Mobile Home Requirements .....	14
Ash Removal.....	25	Monthly Maintenance .....	31
Before Your First Fire.....	18	Normal Operating Sounds .....	26
Bypass Operation.....	19	Opening the Door.....	19
Chimney Connector Requirements.....	10	Outside Air Requirements.....	12
Chimney Requirements.....	11	Over-Firing the Stove.....	18
Chimney Termination Requirements .....	12	Overnight Burn.....	26
Clean the Glass.....	30	Planning the Installation.....	7
Cleaning the Air Duct and Blower .....	32	Preparation for Installation.....	7
Cleaning the Combustor .....	33	Re-Loading the Stove .....	26
Clearances .....	8	Remove Ash .....	30
Creosote - Formation and Need for Removal..	32	Removing the Door.....	34
Curing the Paint .....	18	Replacing the Door Gasket.....	34
Daily Maintenance.....	30	Replacing the Door Handle.....	34
Dimensions .....	6	Replacing the Glass.....	34
Door Adjustment .....	31	Safety Notice.....	18
Door and Glass Inspection.....	31	Selecting Wood.....	27
Door Parts .....	34	Starting a Fire .....	22
Emissions.....	6	Stove Placement Requirements .....	8
Features .....	6	Touch-Up Paint.....	32
Firebox Parts.....	35	Troubleshooting .....	29
Firebrick and Baffle Inspection.....	32	Why Dry Wood is Key .....	27
Firebrick Removal & Replacement.....	38	Wood Cutting and Storage .....	27
Floor Protection Requirements .....	8	Yearly Maintenance .....	32
Heating Specifications.....	6		