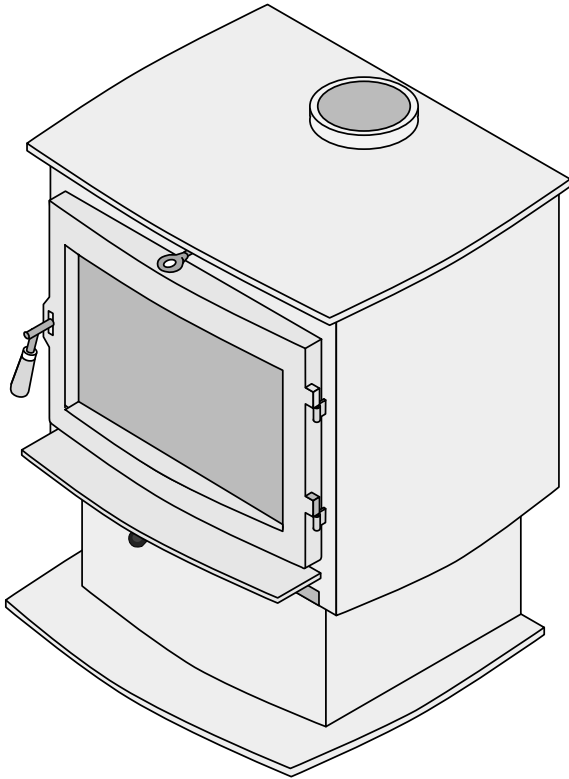




Evergreen Wood Stove

Owner's Manual



- Freestanding Stove
- Mobile-Home Approved
- Alcove Approved
- Hearth-Stove Approved

Save these instructions
for future reference

 WARNING	
	<p>HOT GLASS WILL CAUSE BURNS. DO NOT TOUCH GLASS UNTIL COOLED. NEVER ALLOW CHILDREN TO TOUCH GLASS.</p>

SAFETY NOTICE:

If this appliance is not properly installed, a house fire may result. For your safety, follow the installation directions. Contact local building or fire officials about restrictions and installation inspection requirements in your area.



**TRAVIS INDUSTRIES
HOUSE OF FIRE**

© Copyright 2015,
Travis Industries, Inc.

\$10.00

100-01344

4150421



ETL LISTED US **Listed**

Intertek

Conforms to UL STD 1482; Certified to ULC S627-2000

Introduction

We welcome you as a new owner of a Lopi Evergreen wood-burning stove. In purchasing an Evergreen you have joined the growing ranks of concerned individuals whose selection of an energy system reflects both a concern for the environment and aesthetics. The Evergreen is one of the finest appliances the world over. This manual will explain the installation, operation, and maintenance of this appliance. Please familiarize yourself with the Owner's Manual before operating your appliance and save the manual for future reference. Included are helpful hints and suggestions which will make the installation and operation of your new appliance an easier and more enjoyable experience. We offer our continual support and guidance to help you achieve the maximum benefit and enjoyment from your appliance.

Important Information

No other Evergreen wood stove has the same serial number as yours. The serial number is stamped onto the label on the back of the appliance.

This serial number will be needed in case you require service of any type.

Model: Lopi Evergreen Wood Stove

Serial Number: _____

Purchase Date: _____

Purchased From: _____

Register your warranty online at:

traviswarranty.com

Save Your Bill of Sale.

To receive full warranty coverage, you will need to show evidence of the date you purchased your heater.

We suggest that you attach your Bill of Sale to this page so that you will have all the information you need in one place should the need for service or information occur.

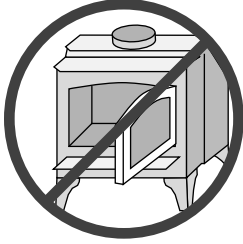


We suggest that our woodburning hearth products be installed and serviced by professionals who are certified in the U.S. by the National Fireplace Institute® (NFI) as NFI Woodburning Specialists or who are certified in Canada by Wood Energy Technical Training (WETT).



- Introduction 2**
- Important Information..... 2**
- Installation Options..... 6**
- Features 6**
- Heating Specifications..... 6**
- Dimensions 6**
- Emissions 6**
- Planning the Installation..... 7**
 - Preparation for Installation 7
- Packing List 7**
- Floor Protection Requirements 8**
- Stove Placement Requirements 8**
- Clearances 8**
 - Top View - Straight Installation 9
 - Top View - Corner Installation..... 9
- Chimney Connector Requirements..... 10**
- Chimney Requirements 11**
- Chimney Termination Requirements 12**
- Outside Air Requirements..... 12**
- Alcove Installation Requirements 13**
- Mobile Home Requirements..... 14**
 - Standard Ceiling with a Factory-Built Chimney ... 15
 - Cathedral Ceiling with a Factory-Built Chimney .. 15
 - Exterior Factory-Built Chimney 16
 - Wall Penetrations Under 74” 16
 - Wall Penetrations 74” or Greater 16
 - Hearth Stove Installation 17
 - Interior or Exterior Masonry Chimney 17
- Safety Notice 18**
- Before Your First Fire 18**
 - Curing the Paint 18
 - Carbon Monoxide (CO) Emissions..... 18
 - Over-Firing the Stove 18
- Opening the Door 19**
- Bypass Operation 19**
- Starting a Fire 20**
- Adjusting the Burn Rate 21**
 - Approximate Air Control Settings 21

- Understanding Your Heater’s Combustion System 22**
- Burning Your Heater..... 22**
- Ash Removal 23**
 - Ash Pan 23
- Re-Loading the Stove 25**
- Overnight Burn..... 25**
- Normal Operating Sounds 25**
- Hints for Burning 26**
- Selecting Wood..... 26**
 - Why Dry Wood is Key 26
 - Wood Cutting and Storage..... 26
 - Do Not Burn List..... 27
- Troubleshooting..... 28**
- Daily Maintenance (while stove is in use) ... 29**
 - Clean the Glass (if necessary) 29
- Monthly Maintenance (while appliance is in use) 30**
 - Door and Glass Inspection 30
 - Door Adjustment 30
 - Creosote - Formation and Need for Removal 31
- Yearly Maintenance 31**
 - Touch-Up Paint 31
 - Cleaning the Air Duct and Blower (if applicable) . 31
 - Firebrick and Baffle Inspection 31
- Door Parts..... 32**
 - Replacing the Glass..... 32
 - Replacing the Door Gasket 32
 - Replacing the Door Handle 32
 - Removing the Door 32
- Firebox Parts 33**
- Baffle Removal & Replacement..... 33**
- Air Tube Removal & Replacement 34**
- Firebrick Removal & Replacement..... 35**
- Warranty 36**
- Listing Label..... 38**
- Rear Blower (Part # 99000143) 39**
- GreenStart™Woodstove Igniter (Part # 94400953)..... 39**
- GreenStart Igniter Installation Addendum .. 40**



The viewing door must be closed and latched during operation.

Smoke from this appliance may activate a smoke detector when the door is open.

Never block free airflow through the air vents on this appliance.



Gasoline or other flammable liquids must never be used to start the fire or "Freshen Up" the fire. Do not store or use gasoline or other flammable liquids in the vicinity of this appliance.



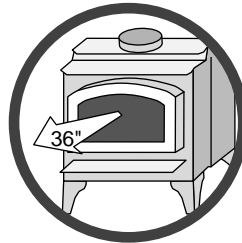
This appliance is designed and approved for the burning of cord wood only. Do not attempt to burn any other type of fuel other than cord wood in this appliance, it will void all warranties and safety listings.



Ashes must be disposed in a metal container with a tight lid and placed on a non-combustible surface well away from the home or structure.



Do not touch the appliance while it is hot and educate all children of the danger of a high-temperature appliance. Young children should be supervised when they are in the same room as the appliance.



Keep furniture, drapes, curtains, wood, paper, and other combustibles a minimum of 36" (914mm) away from the front of the appliance.



This appliance must be properly installed to prevent the possibility of a house fire. The instructions must be strictly adhered to. Do not use makeshift methods or compromise in the installation.

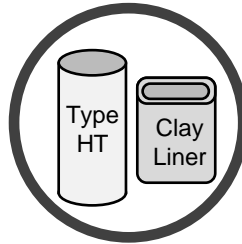


Contact your local building officials to obtain a permit and information on any installation restrictions or inspection requirements in your area. Notify your insurance company of this appliance as well.



Inspect the chimney connector and chimney at least twice monthly and clean if necessary. Creosote may build up and cause a house fire.

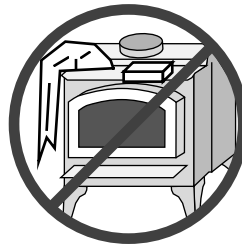
Do not connect this appliance to any chimney serving another appliance.



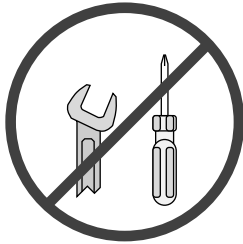
This appliance must be connected to a listed high temperature (UL 103 HT) residential type chimney or an approved masonry chimney with a standard clay tile, or stainless steel liner.



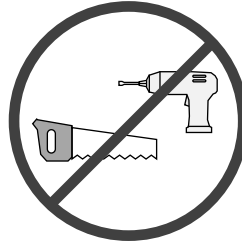
When installed in a mobile home, this appliance must be bolted to the floor, have outside air, and not be installed in the bedroom (per H.U.D. requirements). Check with local building officials.



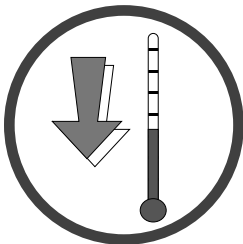
Do not place clothing or other flammable items on or near this appliance.



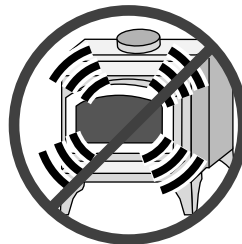
Never try to repair or replace any part of this appliance unless instructions are given in this manual. All other work must be done by a trained technician. Do not make any changes or modifications to an existing masonry fireplace or chimney to install this appliance.



This wood heater has a manufacturer-set minimum low burn rate that must not be altered. It is against federal regulations to alter this setting or otherwise operate this wood heater in a manner inconsistent with operating instructions in this manual.



Allow the appliance to cool before carrying out any maintenance or cleaning.

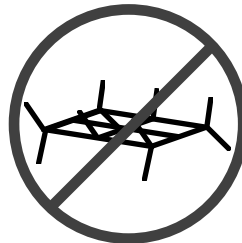


Over-firing the appliance may cause a house fire. If a unit or chimney connector glows, you are over-firing.



Maintain the door and glass seal and keep them in good condition.

Do not operate this heater with broken or missing glass. Avoid placing wood against the glass when loading. Do not slam the door or strike the glass.



Do not use a grate or other device to elevate the fire off of the firebox floor. Burn the fire directly on the firebox floor.



Do not throw this manual away. This manual has important operating and maintenance instructions that you will need at a later time. Always follow the instructions in this manual.



Travis Industries, Inc. grants no warranty, implied or stated, for the installation or maintenance of your appliance, and assumes no responsibility of any consequential damage(s).

Smoke and CO Detectors: Make sure your home has a working smoke detector, especially near any bedrooms. We recommend having a smoke and/or CO detector in the same room as the wood heater for additional safety.

Proposition 65 Warning: Fuels used in gas, woodburning or oil fired appliances, and the products of combustion of such fuels, contain chemicals known to the State of California to cause cancer, birth defects and other reproductive harm. California Health & Safety Code Sec. 25249.6

Installation Options

- Freestanding
- Freestanding in an Alcove
- Freestanding in a Mobile Home
- Optional GreenStart Igniter
- Optional High-Tech Blower

Features

- 2.2 Cubic Foot (0.062 Cubic M) Firebox Volume
- Single Operating Control
- Accepts Logs Up to 20.5" 521mm) Long
- Steel Plate Construction (1/4" & 3/16")
- Heavy Duty Refractory Firebrick

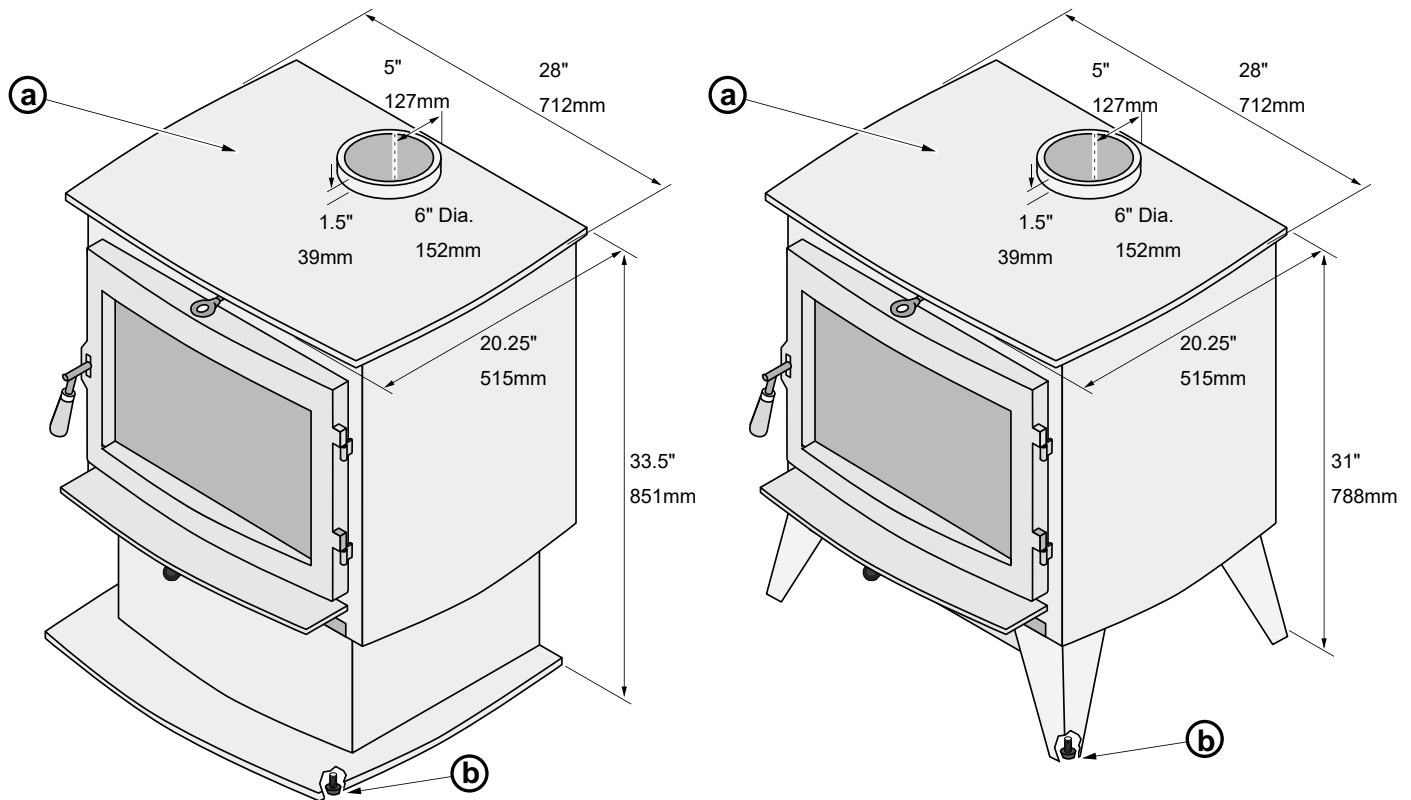
Heating Specifications

Approximate Maximum Heating Capacity (in square feet)*	up to 2,000 (185 square meters)
Maximum BTUs per Hour (Cord Wood Calculation)	72,400
Maximum Burn Time	Up to 10 Hours

* Heating capacity will vary depending on the home's floor plan, degree of insulation, and the outside temperature. It is also affected by the quality and moisture level of the fuel.

This model was tested for efficiency using method B415.1-10 and was determined to have a weighted average Higher Heating Value (HHV) Overall Heating Efficiency (OHE) of 74.5%.

Dimensions



- (a) Side, rear and corner clearances are measured from the stove top.
 (b) Rubber-Tipped Leveling Bolts (at each corner).

Emissions

This heater meets the 2015 U.S. EPA's crib wood emission limits for wood heaters sold after May 15, 2015. Tested to Method 28, 5G2 this heater has been shown to deliver heat at rates ranging from 11,200 to 38,000 BTU/hr and an emission value of 3.6g/h.

SAFETY NOTICE:

Please read this entire manual before you install and use your new room heater. Failure to follow instructions may result in property damage, bodily injury, or even death. Contact local building or fire officials about restrictions and installation inspection requirements in your area.

Planning the Installation



We suggest that you have an authorized Travis Industries dealer install your stove. If you install the stove yourself, your authorized dealer should review your installation plans.



Check with local building officials for any permits required for installation of this stove and notify your insurance company before proceeding with installation.



The location of your wood heater in your home will decide how affectively the heat produced will spread throughout your house. Attention to the home design with consideration of natural convection and air circulation should be taken into account when choosing the placement of your heater within the home.

Preparation for Installation

- Make sure the baffles are in place.
- Check for damage to the exterior of the stove (dents should be reported, scratches can be fixed by applying touch-up paint).
- Check the interior of the firebox (replace any cracked firebricks and make sure the baffle is in place).



The stove can be lightened by removing the firebricks - replace before operation.

Packing List

- Wood moisture meter
- Bypass Tool
- Ash Dump Tool
- Igniter Cover Plate and Cover Box

Floor Protection Requirements

- Floor protection must extend to the sides, rear, and front of the stove (see "Clearances" below for minimum floor protection).
- Floor protection must be non-combustible and at least .018" (.45mm) thick (26 gauge).

Stove Placement Requirements



Clearances may be reduced by methods specified in NFPA 211, listed wall shields, pipe shields, or other means approved by local building or fire officials.

- Stove must be placed so that no combustibles are within, or can swing within 36" (914mm) of the front of the stove (drapes, doors, etc.)
- If the stove is placed in a location where the ceiling height is less than 7' (2.134M), it must follow the requirements in the section "Alcove Installation Requirements"
- Must maintain the clearances to combustibles listed below (drywall, furniture)
- The stove requires an air source to operate. Combustion air starvation will result in poor performance or smoke in the house.

Clearances

- The following clearances must be met (see Figure 1 and Figure 2):

Minimum Clearance		Single wall Connector	Reduced Clearance*
A	Sidewall to stovetop	12" (305mm)	11" (280mm)
B	Back wall to stovetop	17" (432mm)	9" (229mm)
C	Corner wall to stovetop	8" (204mm)	4" (102mm)
D	Connector to sidewall	22.5" (572mm)	21" (534mm)
E	Connector to back wall	19" (483mm)	10.5" (267mm)
F	Connector to corner wall	17.5" (445mm)	13.5" (343mm)
G	Floor protection side and back	6" US / 8" Canada (153mm / 204mm)	6" US / 8" Canada (153mm / 204mm)
H	Floor protection front	16" US / 18" Canada (407mm / 458mm)	16" US / 18" Canada (407mm / 458mm)

*Reduced clearance installations require one of the chimneys and connectors listed below:

AMERI-TEC model DCC with model HS chimney
 DURAVENT model DVL with DURATEC or DURA-PLUS chimney
 GSW Super Chimney Twenty-One connected directly to appliance
 I.C.C. Excel (2100-2 Can.) (103-HT USA) chimney with HP connector
 METALFAB model DW connector with TG chimney
 OLIVER MACLEOD PROVENT model PV connector with model 3103 chimney
 SECURITY model DP connector with SECURITY model ASHT or S2100 chimney
 SELKIRK METALBESTOS model DS connector with model SSII chimney
 OLYMPIA VENTIS with Ventis double wall black stove pipe
 Standard Masonry Chimney with any one of the above listed connectors

NOTE: Reduced clearance connectors may not connect to the flue collar – an appliance adapter may be required.

NOTE: Standard residential installations with reduced clearance connector may use the clearance determined by the manufacturer of the connector for the connector to wall clearance or the clearance listed in this manual. Offsets must be used to maintain the stove to wall clearance.

Top View - Straight Installation

- (i) Measure rear and side clearances from the stove top.
- (j) Vent diameter varies depending on brand and model.
- (k) Measure front clearances from the stove top.

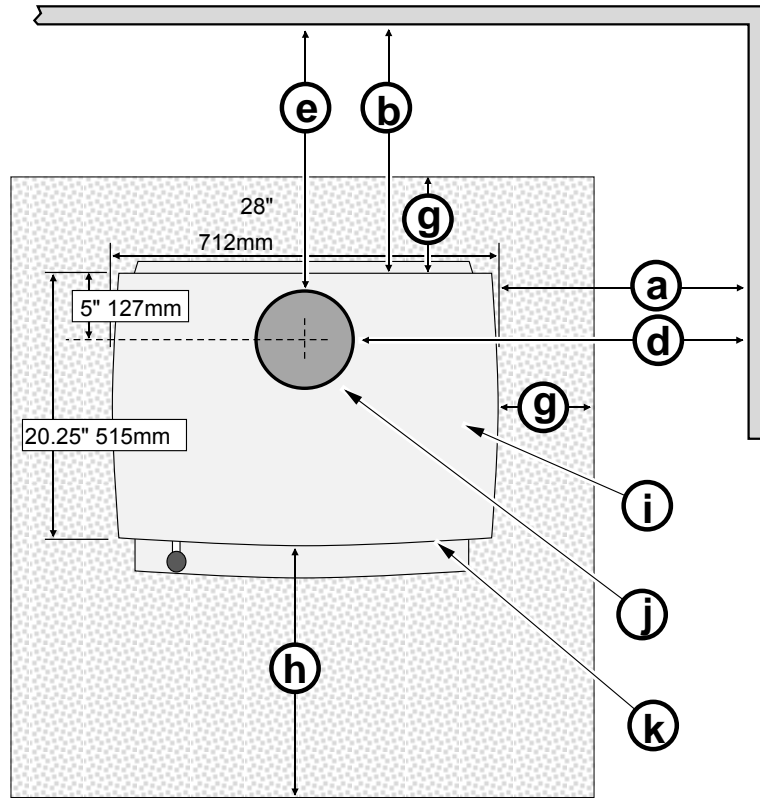


Figure 1

Top View - Corner Installation

- (i) Measure rear and side clearances from the stove top.
- (j) Vent diameter varies depending on brand and model.
- (k) Measure front clearances from the stove top.

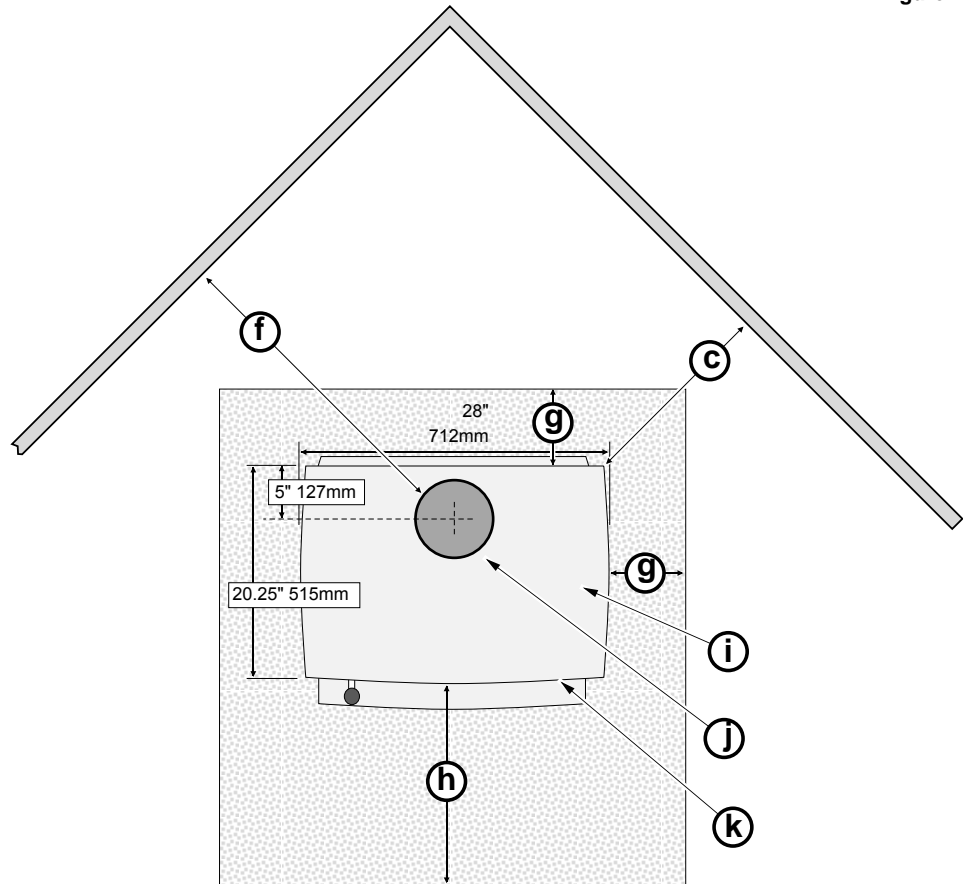


Figure 2

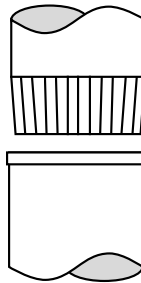
Chimney Connector Requirements

- Chimney connector is required from the flue collar of the stove to the factory-built chimney or masonry chimney.
- The chimney connector must be 6" (152mm) diameter and a minimum 24 gauge black steel, or one of the reduced-clearance connectors listed on page 8.

NOTE: Aluminum or galvanized steel is not allowed – these materials cannot withstand the flue temperatures and may give off toxic fumes when heated.

NOTE: Standard residential installations may use single-wall connector (Mobile-Homes may **not**).

- The chimney connector may not pass through a ceiling, attic, roof, closet, or any other concealed space (use listed UL 103 HT chimney – see "Chimney Requirements for details). **DO NOT USE CONNECTOR PIPE AS CHIMNEY.**
- IN CANADA: Where passage through a wall or partition of combustible construction is desired, the installation shall conform to CAN/CSA-B365, Installation Code for Solid-Fuel-Burning Appliances and Equipment.
- The chimney connector should be as short and direct as possible. No more than 180° of elbows (two 90° elbows, or two 45° & one 90° elbow, etc.) may be used for the entire system (connector and chimney). Horizontal runs should slope upwards 1/4" (6mm) per foot and be a maximum 36" (914mm) long.
- The chimney connector must be installed with the crimped end pointing downwards. This prevents creosote from leaking to the exterior of the pipe.



- The chimney connector must be fastened to the stove and each adjoining section (and chimney).
- Standard residential installations with reduced clearance connector may use the clearance determined by the manufacturer of the connector for the connector to wall clearance or the clearance listed in this manual. Offsets must be used to maintain the stove to wall clearance. Mobile homes must use the clearances listed in this manual under "Additional Requirements for Mobile Home Installations".

Chimney Requirements

- DO NOT CONNECT THIS UNIT TO A CHIMNEY FLUE SERVING ANOTHER APPLIANCE.
- DO NOT CONNECT TO OR USE IN CONJUNCTION WITH ANY AIR DISTRIBUTION DUCTWORK UNLESS SPECIFICALLY APPROVED FOR SUCH INSTALLATIONS
- IN CANADA: This appliance must be connected to a factory-built chimney conforming to CAN/ULC-S629, Standard for 650°C Factory-Built Chimneys.
- UL 103 HT Chimney must be used from the first ceiling or floor or wall penetration to the chimney cap.
- Use 6" (152mm) diameter type UL 103 HT chimney from one manufacturer (do not mix brands) or code approved masonry chimney with a flue liner.
- Chimney must be fastened to each adjoining section.
- Follow the chimney manufacturer's clearances and requirements.
- Use the chimney manufacturer's fire stops, attic guards, roof supports, and flashings when passing through a ceiling and roof (see "b" and "d" below).
- No more than 180° of elbows (two 90° elbows, or two 45° & one 90° elbow, etc.) may be used for the entire system (connector and chimney).

NOTE: Additional elbows may be allowed if draft is sufficient. Whenever elbows are used the draft is adversely affected. Additional chimney height may be required to boost draft.

- (a) Min. System Height 15' (4.5M)
Max. System Height 33' (10.058M)
- (b) Roof Penetration and Termination (see chimney manufacturer's requirements)
- (c) Chimney Sections
- (d) Ceiling Penetration (see chimney manufacturer's requirements)
- (e) Minimum air space to combustibles (see chimney manufacturer's requirements – typically 2" / 51mm)
- (f) Connector – see "Chimney Connector" on the previous page.

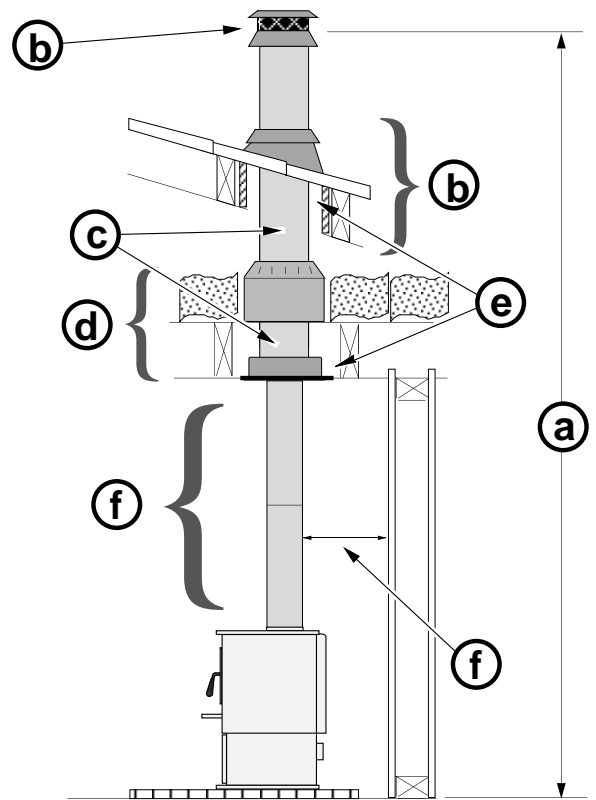


Figure 3

Drafting Performance

Draft is the force which moves air from the appliance up through the chimney. The amount of draft in your chimney depends on the length of the chimney, local geography, nearby obstructions and other factors. Too much draft may cause excessive temperatures in the appliance and may damage the heater. Inadequate draft may cause backpuffing into the room and 'plugging' of the chimney. Inadequate draft will cause the appliance to leak smoke into the room through appliance and chimney connector joints. An uncontrollable burn or excessive temperature indicates excessive draft.

Chimney Termination Requirements

- Must have an approved cap (to prevent water from entering)
- Must not be located where it will become plugged by snow or other material
- Must terminate at least 3' (914mm) above the roof **and** at least 2' (610mm) above any portion of the roof within 10' (3.048M) (see Figure 4)

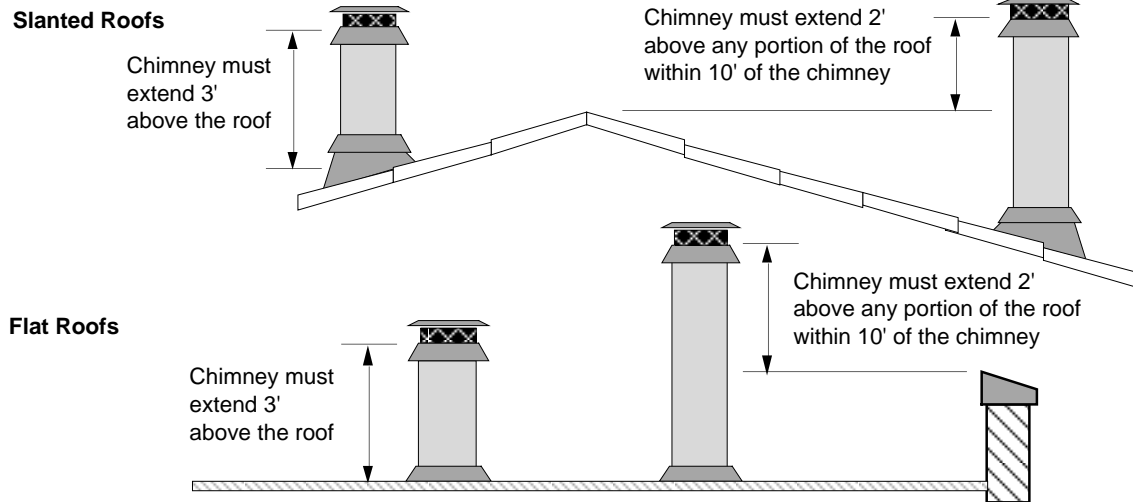
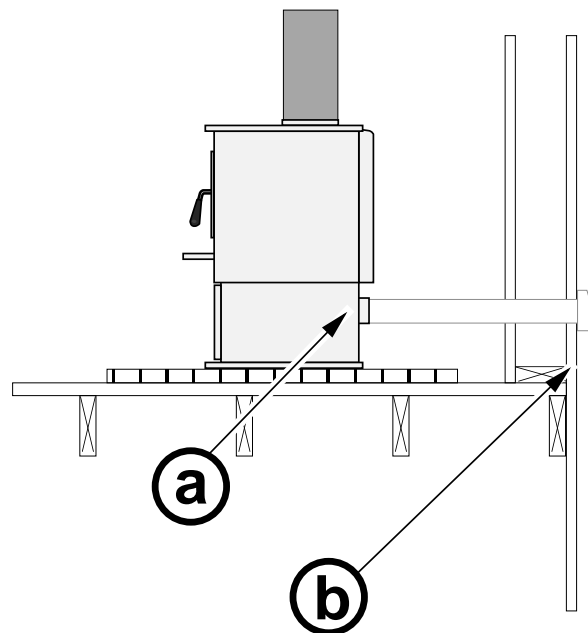


Figure 4

Outside Air Requirements

- Required for mobile homes and in certain localities (check with local building official)
- Must not be drawn from an enclosed space (garage, unventilated crawl space)
- Requires a 3" duct that attaches to the back of the stove (see "a" below).
- Outside air duct must have a rodent screen and rain hood (see "b" below).
- The Travis Industries Outside Air Kit (sku 99200139) includes all the above components.



Alcove Installation Requirements

Whenever the stove is placed in a location where the ceiling height is less than 7' (2.134M) tall, it is considered an alcove installation. Because of the reduced height, the special installation requirements listed below must be met.

- Chimney connector and chimney must be one of the following types:

- AMERI-TEC model DCC with model HS chimney
- DURAVENT model DVL with DURATEC or DURA-PLUS chimney
- GSW Super Chimney Twenty-One connected directly to appliance
- I.C.C. Excel (2100-2 Can.) (103-HT USA) chimney with HP connector
- METALFAB model DW connector with TG chimney
- OLIVER MACLEOD PROVENT model PV connector with model 3103 chimney
- SECURITY model DP connector with SECURITY model ASHT or S2100 chimney
- SELKIRK METALBESTOS model DS connector with model SSII chimney
- Standard Masonry Chimney with any one of the above listed connectors

NOTE: Reduced clearance connectors may not connect to the flue collar – an appliance adapter may be required.

- Alcoves are classified as combustible or non-combustible. Non-combustible alcoves must have walls and a ceiling that are 3 1/2" (89mm) thick of a non-combustible material (brick, stone, or concrete - see Figure 5). This non-combustible material must be spaced and ventilated at least 1" (25mm) off of all combustible materials (walls, ceiling, etc.) to allow air to move around the non-combustible walls and ceiling. All other alcoves are considered combustible. **The clearances below must be met:**

Minimum Clearance (See Figure 5 below)	Combustible Alcove	Non-Combustible Alcove
A Sidewall to stove	11"	6"
B Back wall to stove	9"	6-3/4"(with fan) 4" (without fan)
D Connector to sidewall	21"	16"
E Connector to back wall	10-1/2"	8-1/4"(with fan) 5-1/2"(without Fan)
G Maximum depth of alcove	48"	48"
H Minimum width of alcove	50"	40"
J Minimum height of alcove	84"	6" above stove top

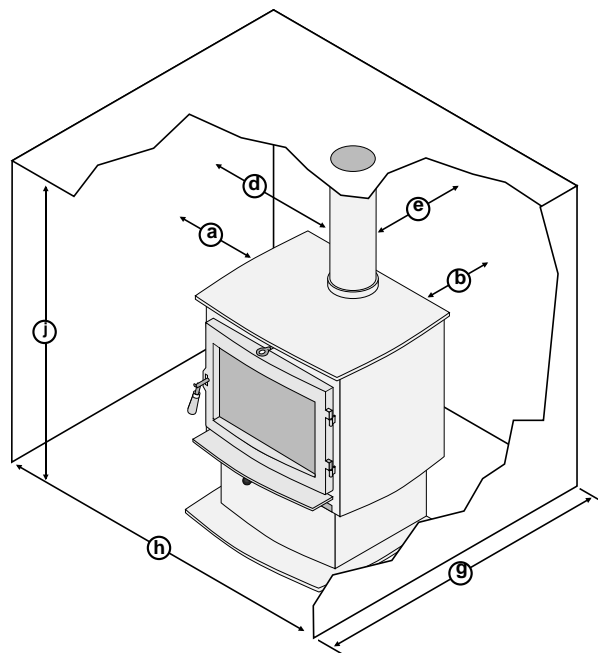
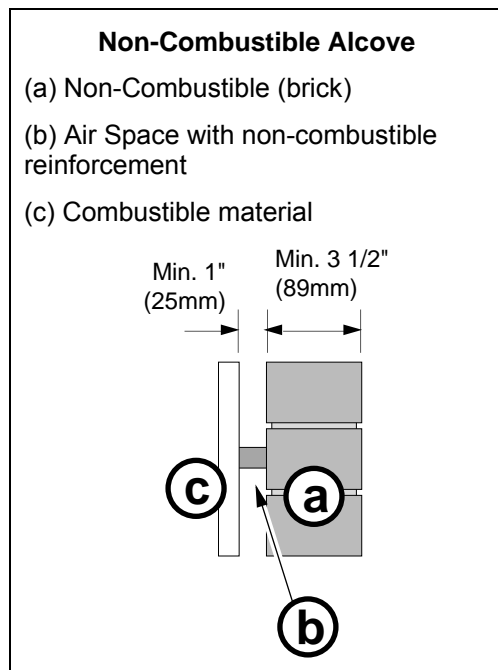


Figure 5

Mobile Home Requirements

- Outside air must be installed - see "Outside Air Requirements" on page 12
- Chimney connector and chimney must be one of the following types:
 - AMERI-TEC model DCC with model HS chimney
 - DURAVENT model DVL with DURATEC or DURA-PLUS chimney
 - GSW Super Chimney Twenty-One connected directly to appliance
 - I.C.C. Excel (2100-2 Can.) (103-HT USA) chimney with HP connector
 - METALFAB model DW connector with TG chimney
 - OLIVER MACLEOD PROVENT model PV connector with model 3103 chimney
 - SECURITY model DP connector with SECURITY model ASHT or S2100 chimney
 - SELKIRK METALBESTOS model DS connector with model SSII chimney
 - Standard Masonry Chimney with any one of the above listed connectors
- NOTE:** Reduced clearance connectors may not connect to the flue collar – an appliance adapter may be required.
- Stove placement must maintain the following clearances to combustibles (drywall, furniture, etc.)

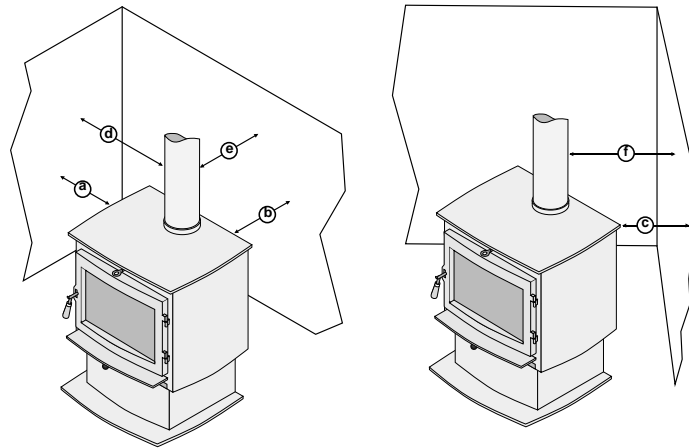


Figure 6

Minimum Clearance (See the illustration above)		Reduced Clearance Connector
A	Sidewall to stove	11"
B	Back wall to stove	9"
C	Corner wall to stove	4"
D	Connector to sidewall	21"
E	Connector to back wall	10-1/2"
F	Connector to corner wall	13-1/2"

- If using offsets, use the connector clearance listed in Figure 7, **not the connector manufacturer's clearance.**
- The appliance must be secured to the floor (consult your building official). Leg clips are available from Travis Industries (sku 98900509).
- Mobile home installations require a spark arrester at the chimney termination. Follow the chimney manufacturer's instructions for maintaining a proper moisture barrier at the external chimney penetration.
- The appliance must be grounded to the chassis of the mobile home (consult your building official).
- **WARNING: DO NOT INSTALL IN SLEEPING ROOM.**
- **CAUTION: THE STRUCTURAL INTEGRITY OF THE MOBILE HOME FLOOR, WALL, AND CEILING/ROOF MUST BE MAINTAINED.**

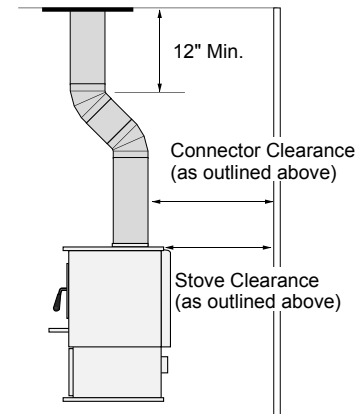


Figure 7

Standard Ceiling with a Factory-Built Chimney

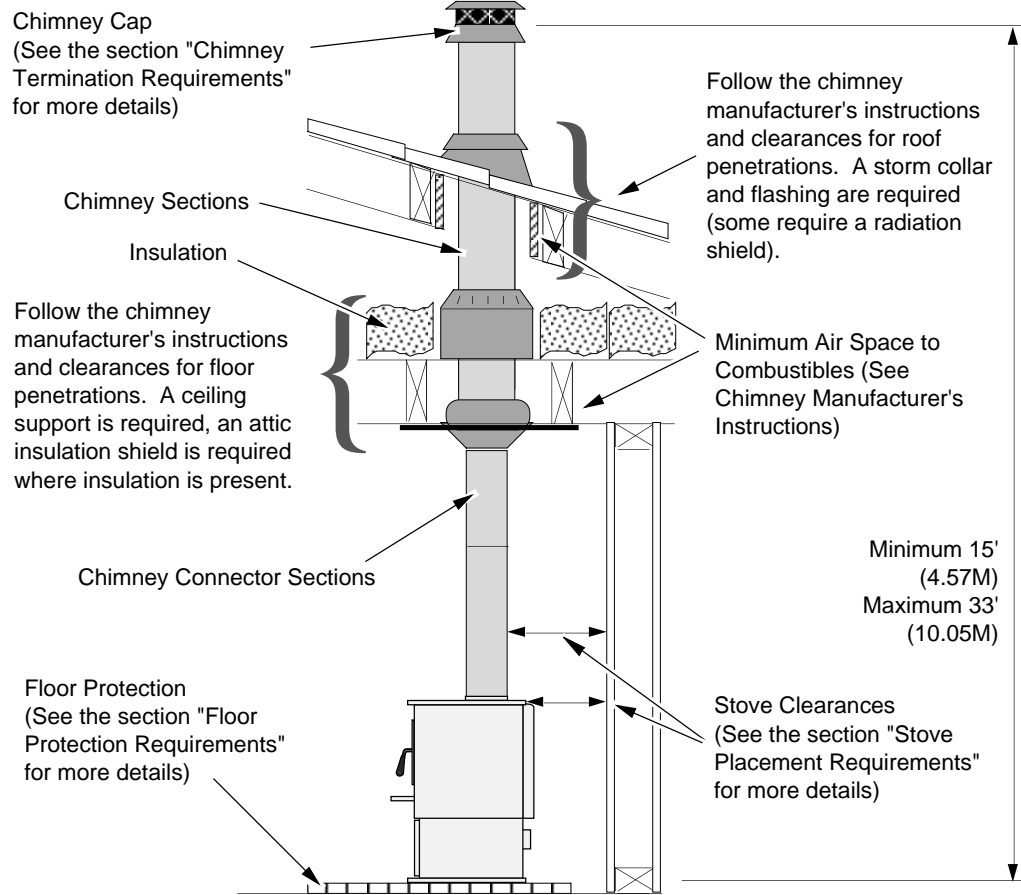


Figure 8

Cathedral Ceiling with a Factory-Built Chimney

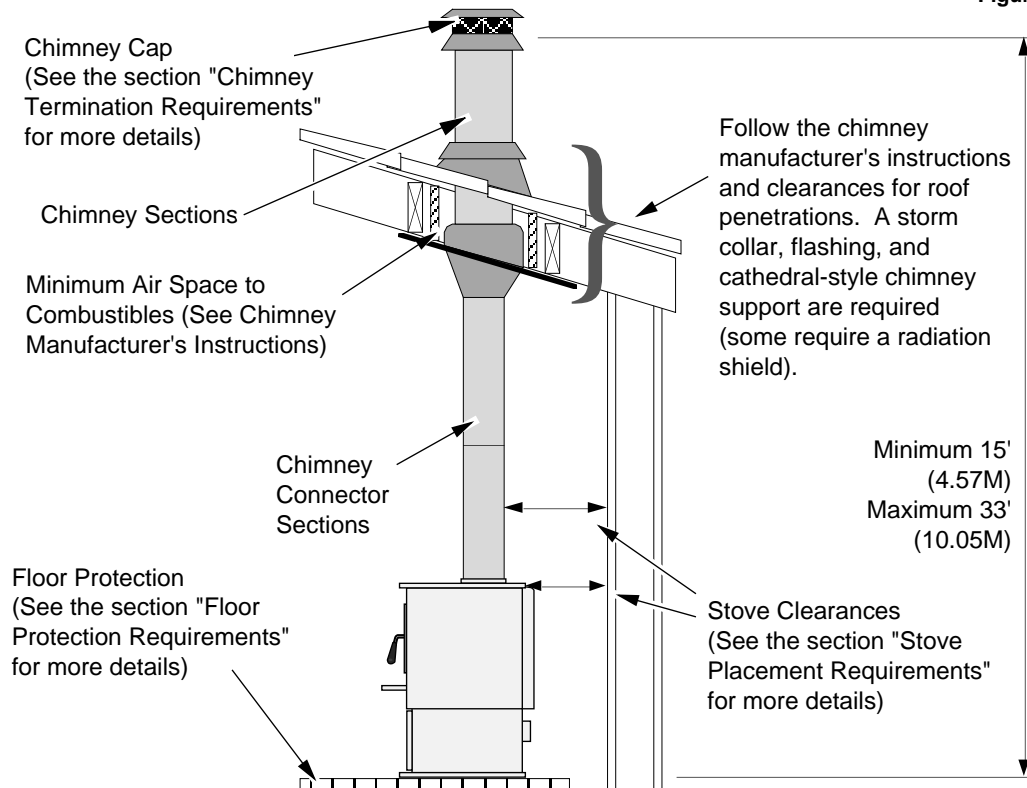


Figure 9

Exterior Factory-Built Chimney

A vertical rise of 74” of chimney connector is required, measured from the floor, before entering a Class ‘A’ wall penetration. For those wishing to pass the chimney through the lower wall, a NFPA 211 wall pass-through may be used (if approved by local building codes).

Wall Penetrations Under 74”

In cases where the chimney connector must be passed through a combustible wall or partition under 74”, the following NFPA 211 method may be used if local building codes permit. Check with local authorities before installation to insure all necessary requirements have been met. Figure 12 details a wall pass-through based on the NFPA 211 standard. After the pass-through, Class A Chimney may be used in accordance with the chimney installation instructions.

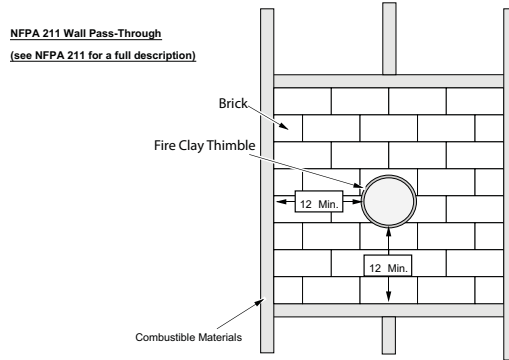


Figure 10

Wall Penetrations 74” or Greater

A vertical rise of 74” of chimney connector is required, measured from the floor, before entering a Class ‘A’ chimney wall penetration (see Figure 11 below). Note that the measurement is to the centerline of the flue when it makes a 90 degree bend. Follow the clearances specified by the manufacturer of the double-wall connector (or 18” if using single-wall connector).

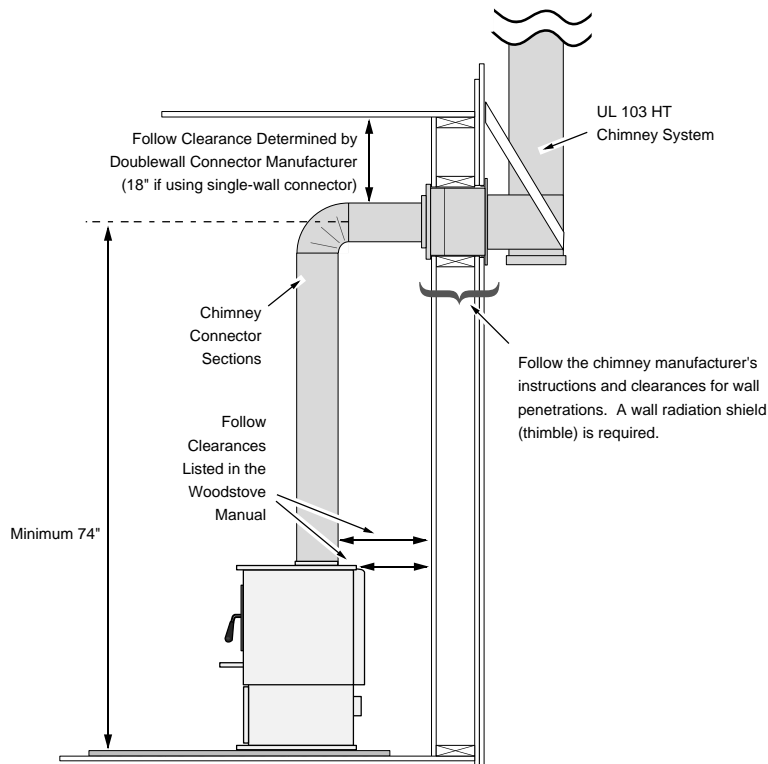


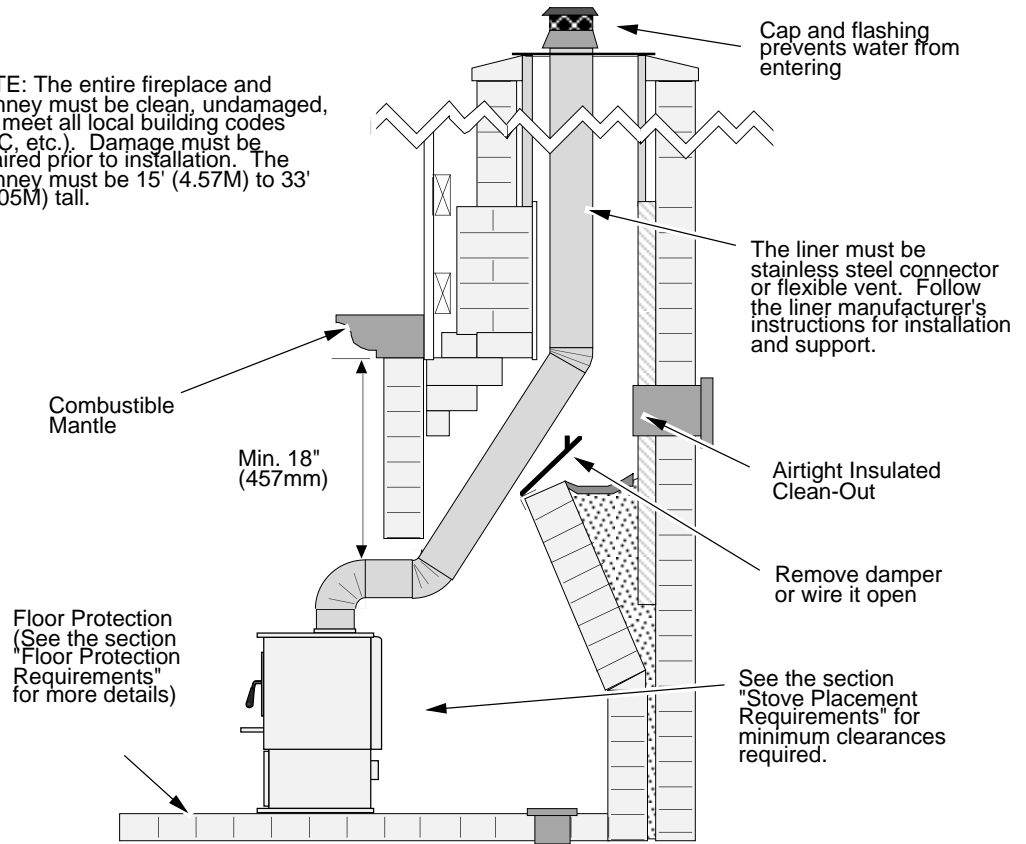
Figure 11

Hearth Stove Installation

NOTE:

This type of installation requires a full reline (positive connection).

NOTE: The entire fireplace and chimney must be clean, undamaged, and meet all local building codes (UBC, etc.). Damage must be repaired prior to installation. The chimney must be 15' (4.57M) to 33' (10.05M) tall.



Interior or Exterior Masonry Chimney

NOT ALLOWED IN CANADA UNLESS FULL RELINE IS USED.

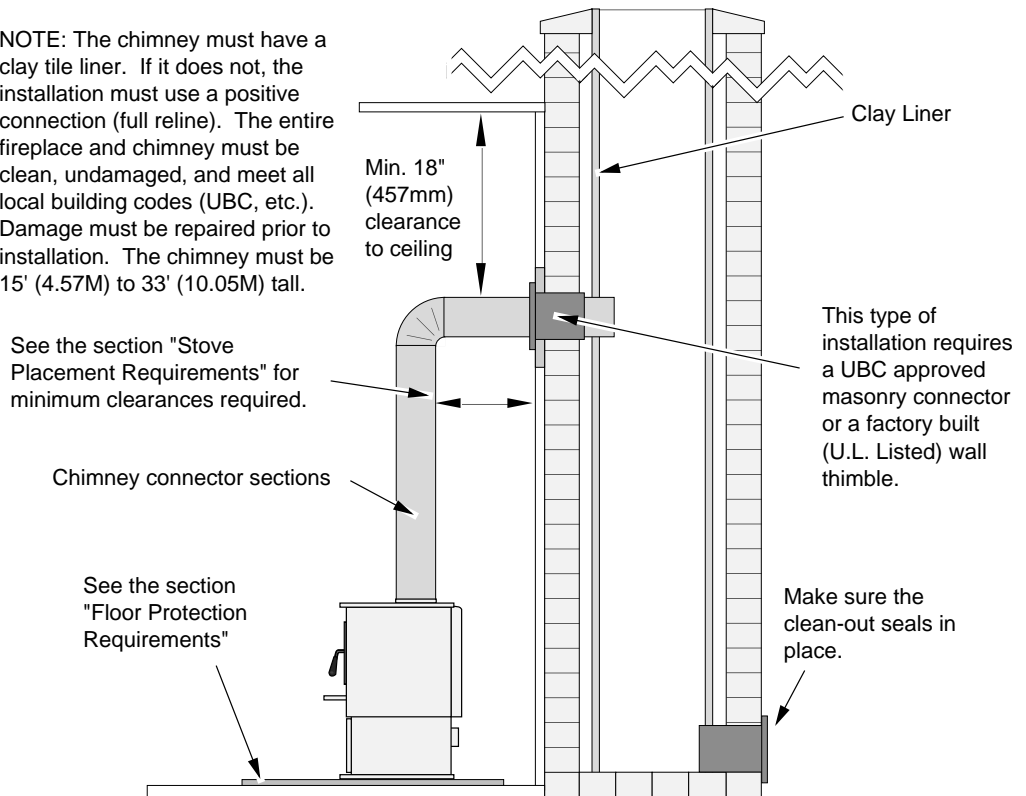
NOTE:

This type of installation requires a UBC approved masonry connector or other method approved by the NFPA 211 Standard. See Chimney Connector Requirements on page 10 for further details.

WARNING:

We strongly recommend a full reline (positive connection) when venting through a masonry chimney. We also recommend that a minimum 3' chimney be added to the minimum system height for every 1' of horizontal run.

NOTE: The chimney must have a clay tile liner. If it does not, the installation must use a positive connection (full reline). The entire fireplace and chimney must be clean, undamaged, and meet all local building codes (UBC, etc.). Damage must be repaired prior to installation. The chimney must be 15' (4.57M) to 33' (10.05M) tall.



Safety Notice



If this appliance is not properly installed, a house fire may result. For your safety, follow the installation directions. Contact local building or fire officials about restrictions and installation inspection requirements in your area.



Read and follow all of the warnings on pages 4 and 5 of this manual.



**Do not operate this stove with the ash pan door open.
A fire hazard will result.**

Before Your First Fire

Verify the Installation:

Before starting the stove, verify that the stove is properly installed and all of the requirements in this manual have been followed.



Keep all flammable materials 36" (914mm) away from the front of the stove (drapes, furniture, clothing, etc.).

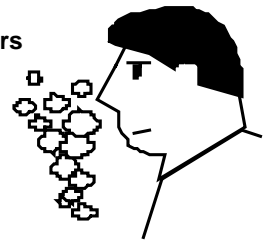
Curing the Paint

Follow the steps below to cure the paint (first fire):

- Open doors and windows in the room to ventilate the heater during the curing process.
- Vacate the room. The fumes from the initial heating process are non-toxic but may be unpleasant.
- Slowly bring the heater to a medium burn (400°F/204°C) for 45 minutes. Then increase the burn temperature to a hot burn (600°F/315°C) for an additional 45 minutes. This will cure the paint.

Door Gasket - The door gasket can adhere to the paint on the front of the heater. To prevent this, carefully open and close the door a few times during the paint curing process.

2 to 4 hours



Carbon Monoxide (CO) Emissions

Smoke from wood heaters contain CO. This gas is an indication of incomplete combustion and is detrimental to the environment and to your health. The more visible the smoke, the higher the CO levels. Burning dry wood is the most significant step you can take to reduce CO emissions. It is also important to understand the combustion process so you can burn your heater efficiently. Read the manual thoroughly so that you can operate your heater in the most efficient and clean manner possible.

Over-Firing the Stove

DO NOT OVERFIRE THIS HEATER: Attempts to achieve heat output rates that exceed heater design specifications can result in permanent damage to the heater.

This stove was designed to operate at a high temperature. But due to differences in vent configuration, fuel, and draft, this appliance can be operated at an excessive temperature. If the stove top or other area starts to glow red, you are over-firing the stove. Shut the air control down to low and allow the stove to cool before proceeding.



If you are uncertain of over-firing conditions, we suggest placing a stove thermometer (e.g. Rutland® Model 710) directly in front of the flue outlet on the stovetop – temperatures exceeding 800° are generally considered over-firing and will void the warranty.

Opening the Door



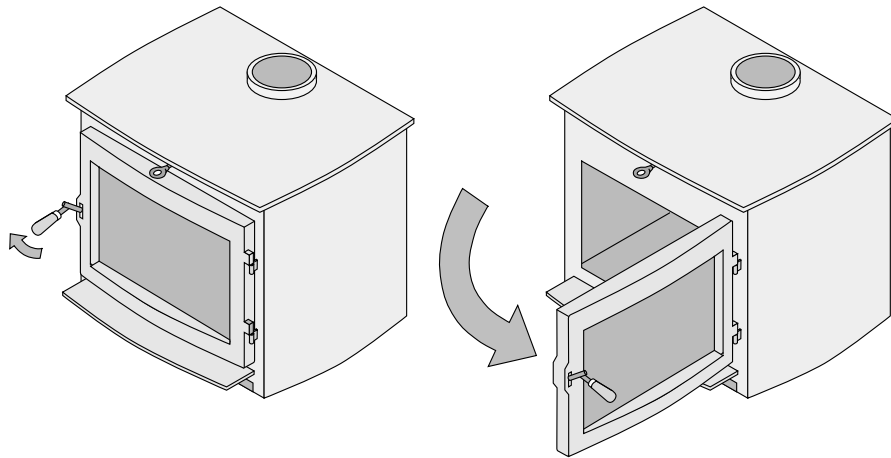
The door becomes hot during use. Use a glove to open the door if the handle is hot.



Do not operate this stove with the door open. A fire hazard will result.



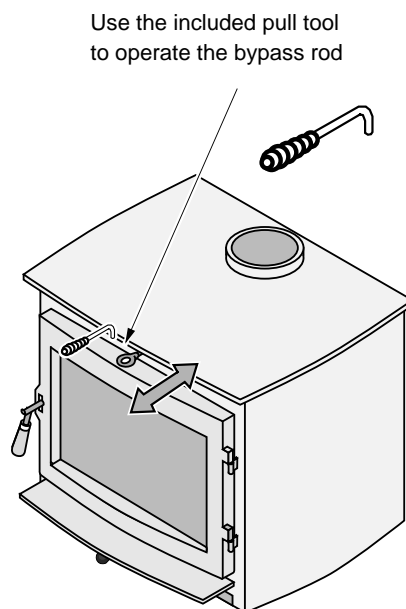
To prevent smoke from entering the room, open the air control and bypass (see instructions below) before opening the door. You can also open the door a small amount and let air enter the firebox to equalize the pressure, and then open the door fully.



Bypass Operation

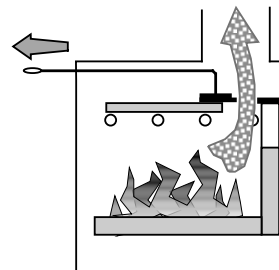
The bypass controls the flow of smoke inside the heater. When pulled out, smoke goes directly up the flue, creating more draft. When pushed in, the smoke goes around the baffle, utilizing the secondary combustion and making the heater more efficient.

- When re-loading, pull the bypass out.
- During normal operation, push the bypass in.



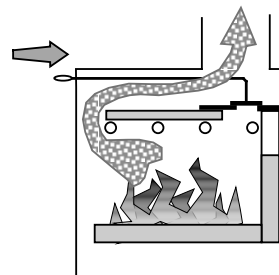
Bypass Pulled Out

Used for starting and re-loading



Bypass Pushed In

Used for normal operation



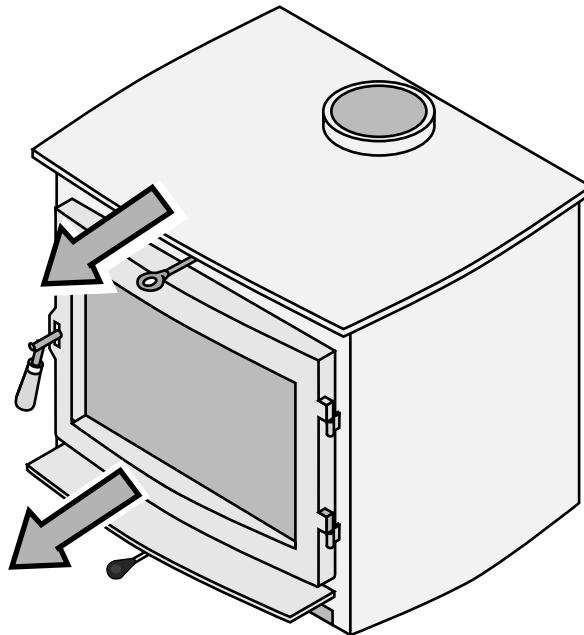
Starting a Fire



Use of the optional GreenStart igniter will greatly simplify this process. See page 39.

Since the dawn of time man has debated the best way to start a fire. Some use the boy-scout "tee-pee"; some prefer the "tic-tac-toe" stack. Either way, review the hints and warnings below to ensure proper fire starting.

- Make sure the air control is open (pulled out). If additional air is needed, open the door 1/4" during the first five minutes of startup.
- Make sure the bypass is pulled out.



Never use gasoline, gasoline-type lantern fuel, kerosene, charcoal lighter fluid, or similar liquids to start or "freshen up" a fire in this stove. Keep all such liquids well away from the stove while it is in use.



DO NOT USE CHEMICALS OR FLUIDS TO START THE FIRE. DO NOT BURN GARBAGE OR FLAMMABLE FLUIDS SUCH AS GASOLINE, NAPHTHA OR ENGINE OIL. Do not place such fuel within space heater installation clearances or within the space required for charging and ash removal.



If using a fire-starter, use only products specifically designed for stoves - follow the manufacturer's instructions carefully.



HOT WHILE IN OPERATION. KEEP CHILDREN, CLOTHING AND FURNITURE AWAY. CONTACT MAY CAUSE SKIN BURNS.



Do not open the ash pan when the stove is lit. An extreme fire hazard will result.



If the smoke does not pass up the chimney, ball up one sheet of newspaper, place it in the center of the firebox and light it. This should start the chimney drafting (this eliminates "cold air blockage").

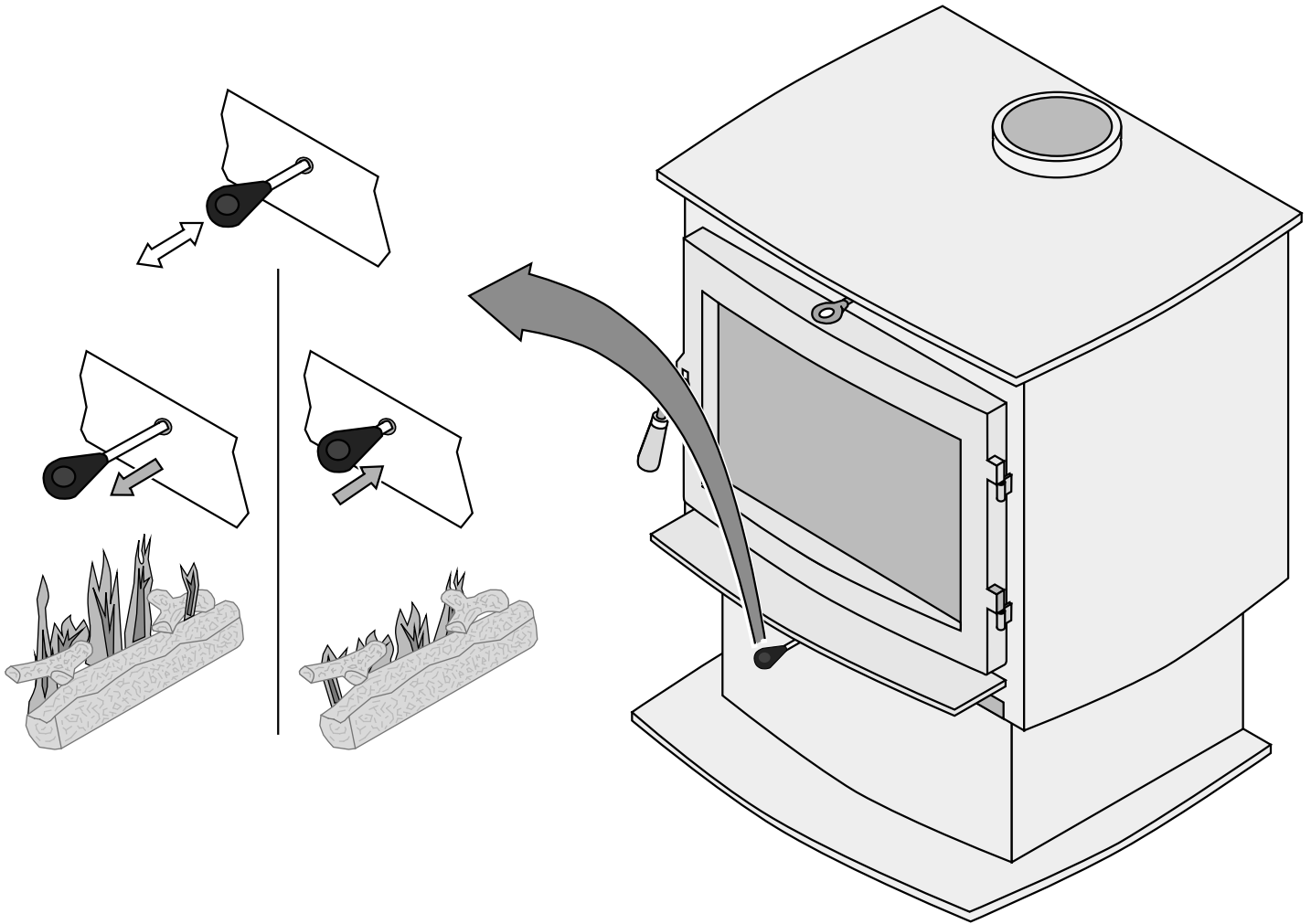


Use plenty of kindling to ensure the stove reaches a proper temperature. Once the kindling is burning rapidly, place a few larger pieces of wood onto the fire.



Adjusting the Burn Rate

Use the air control slider to control the burn rate of the stove. See the illustration below for details.



Approximate Air Control Settings

Overnight Burn	Fully in to 1/16" out
Medium Low Burn	1/16" to 5/16" out
Medium High Burn	3/8" to 5/16" out
High Burn	3/8" to fully out



The air control becomes hot during operation - use gloves or a tool to prevent burns.



The air control may take several minutes to influence the burn rate. When making adjustments, you may wish to let the stove burn for 10 minutes to gauge performance.

Understanding Your Heater's Combustion System

This heater uses a dual combustion system detailed below:

Primary Combustion: This is the combustion (fire) that takes place directly on the wood. Primary combustion determines how fast the fire burns. Air for primary combustion is supplied through the air control. When you adjust the air control you control the amount of air that reaches the fire and creates primary combustion. The air control supplies air to the air wash (the air holes above the door opening – used to help clean the glass) and through the pilot orifice (center bottom of the door opening). By using the air control, and supplying air through these two openings, you control primary combustion.

Secondary Combustion: This is the combustion (fire) that does not contact the wood. Secondary combustion burns the visible emissions or smoke that is not consumed during primary combustion. During some phases of combustion you will see secondary combustion. It appears as a glowing flame at the top of the firebox. Air for secondary combustion is supplied by the air tubes at the top of the firebox.

Items to Consider:

- During medium and high burn rates the stove will manage secondary and primary combustion on its own. When the heater is set to a low burn rate more care is needed to ensure the secondary combustion system works properly. Make sure the stove is hot and a good coal bed is established before adjusting your heater to low burn.
- Understanding the combustion system in this heater will help minimize the visible emissions this heater releases into the environment. The primary pilot orifice at the center bottom of the door opening is designed to help the secondary combustion at low burn settings. The pilot provides a small amount of air that burns up through the fuel load providing the heat and flame needed for the secondary system to ignite. The air tubes under the baffle need to remain ignited for low burns to be effective.
- As you load your heater for a low burn, take care in placing the wood. This will affect how well your secondary system works as the wood is consumed. Do not block the pilot orifice. Stack wood so the pilot air can burn its way up between the pieces, helping your heater burn effectively throughout the low fire. This will reduce the visible emissions your heater produces and increase the amount of heat you get from the wood. If you are unsure how well your heater is burning look at the chimney cap to monitor visible emissions.

Burning Your Heater

Starting a Fire: When starting a fire it is imperative to get the heater hot and drafting as quickly as possible. This promotes combustion and reduces emissions. There are many ways to start a fire and you will become adept as you become familiar with the way your heater burns. Before you start, make sure your burn rate setting (air control) is all the way open and the by-pass (if equipped) is open. We suggest that you use a layer of crumpled newspaper covered with a three layers of small kindling, stacked tic tac toe style with approximately ½"-1" gaps between them. Continue to layer wood on top of the kindling with the same air gaps using slightly bigger pieces increasing in size as you stack upward with the final layer being 3-5" diameter pieces loaded on the top. This should fill the firebox. Light the newspaper in several places near the door opening. Shut the door but do not latch it, creating a small opening to allow air to feed the kindling fire. Never leave your heater unattended if your door is not latched shut. While the kindling burns the fire will heat and ignite the larger pieces above. Once the whole load is burning shut and latch the door leaving the burn rate on high. Depending on your heater, the chimney, and the outside environment, you may need to leave your bypass open for up to 20 minutes after lighting the fire. If the fire dies when you shut the bypass you will need to leave it open longer. The presence of a hot coalbed is critical to good combustion. We cannot overstate the importance of a hot coal bed before slowing your burn rate or re-loading your heater. We recommend that you allow the first ignition load of wood to burn through at the high burn rate. This will get your heater up to temperature and establish a coal bed.

Reloading: When reloading a hot heater set the burn rate on high for at least 15 min before slowing it down.

Low Burn: If preparing for an overnight or low burn a longer heat up period may be necessary. Reload the heater full of wood making sure there are air gaps between the wood pieces so the pilot air can burn up through the middle load keeping the secondary combustion system hot and active throughout the burn. After loading, burn the heater on high for at least 15 minutes before setting the air control to low. Excessive creosote buildup (or sooting) in the heater at the end of a low burn signifies that the heater was not hot enough and the wood load was not burned long enough on high after loading before shutting down the air control.

Ash Removal

Whenever ashes get 3 to 4 inches deep in your firebox or ash pan, and when the fire has burned down and cooled, remove excess ashes. Leave an ash bed approximately 1 inch deep on the firebox bottom to help maintain a hot charcoal bed. Let the stove cool completely before removing ashes (wait at least two hours after the last coal has extinguished). Ashes should be placed in a metal container with a tight-fitting lid. The closed container of ashes should be placed on a noncombustible floor or on the ground, away from all combustible materials, pending final disposal. The ashes should be retained in the closed container until all cinders have thoroughly cooled.



Improperly disposed ashes lead to fires. Hot ashes placed in cardboard boxes, dumped in back yards, or stored in garages, are recipes for disaster.



Wood-burning stoves are inherently dirty. During cleaning have a vacuum ready to catch spilled ash (make sure ash is entirely extinguished).



There are vacuum cleaners specifically made to remove ash (even if the ash is warm). Contact your dealer for details.

Ash Pan



Do not operate this stove with the ash pan door open. A fire hazard will result.



The ash pan must be properly inserted and fully closed during operation. Failure to fully close and seal the ash pan may lead to an over-fired stove, negating the warranty and creating a safety hazard.



Ashes must only be dumped into the ash pan only after the stove has fully cooled and all embers are extinguished.

Moving Ashes to the Ash Dump

This stove is equipped with an ash dump tool. It is stored on the hook at the back of the stove (see pictures below). NOTE: The tool will become hot when the stove is in use.

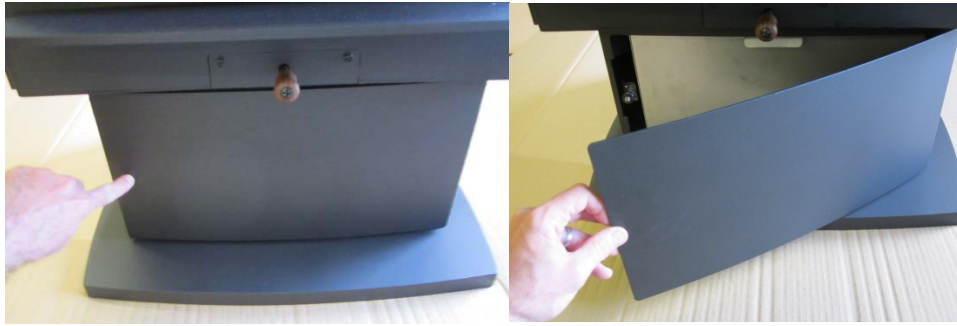


Use the included tool to lift the ash dump from the floor of the firebox (there are two – use either or both). Then scrape the ashes into the ash dump. NOTE: This tool is only designed for use with the ash dump (do not use it as a poker or to position wood).



Ashpan Removal – Pedestal Version

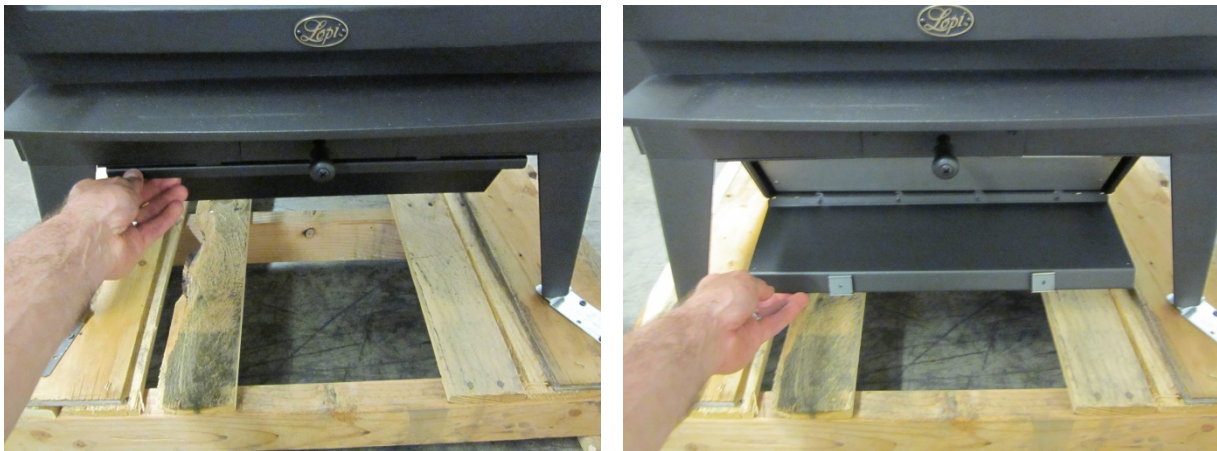
Pull on the left side of the pedestal to disengage the door from the magnet, then swing the door open.



Slide the ashpan out and use the included handle and lifting rod to remove the ashpan.

**Ashpan Removal – Stove Version**

Swing the ashpan door down. Slide the ashpan out.



Use the included handle to slide the ashpan forward. Use both hands to transport the ashpan.



Re-Loading the Stove

Follow the directions below to minimize smoke spillage while re-loading the stove.

- 1 Open the air control all the way (pull it out).
- 2 Open the bypass.
- 3 Open the door slightly. Let the airflow inside the firebox to stabilize before opening the doors fully.
- 4 Load wood onto the fire.

Overnight Burn

This stove is large enough to accommodate burn times up to 10 hours. Follow the steps below to achieve an overnight burn.

- 1 Move the air control to high burn and let the stove become hot (burn for approximately 15 minutes).
- 2 Load as much wood as possible. Use large pieces if possible.
- 3 Let the stove burn on high for 15 minutes to keep the stove hot, and then adjust the air control to LOW.
- 4 In the morning the stove should still be hot, with embers in the coal bed. Stir the coals and load small pieces of wood to re-ignite the fire, if desired.

In the morning, if there is creosote build-up in the stove, this indicates the stove was not hot enough before setting the air control to LOW. Burn the wood on HIGH longer before setting the air control to low.



Differences in chimney height and draft may lower overall burn times.

Normal Operating Sounds

Creaks and Clicks:

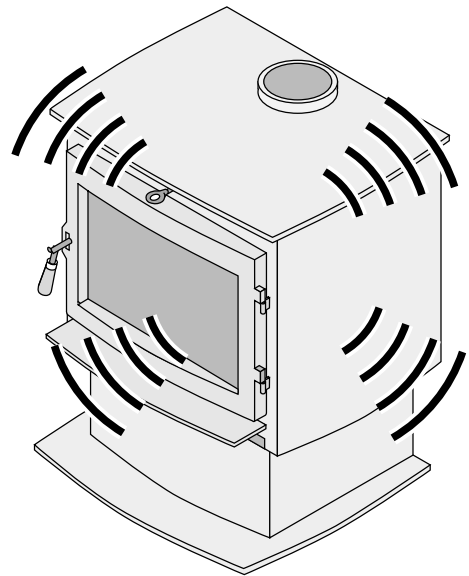
The steel may creak or click when the stove heats up and cools down - this is normal.

Blower Sounds:

The blower will make a slight "hum" as it pushes air through the stove.

Hint:

Make sure the leveling bolts on legs are extended - preventing the hearth from amplifying any vibrations.



Hints for Burning

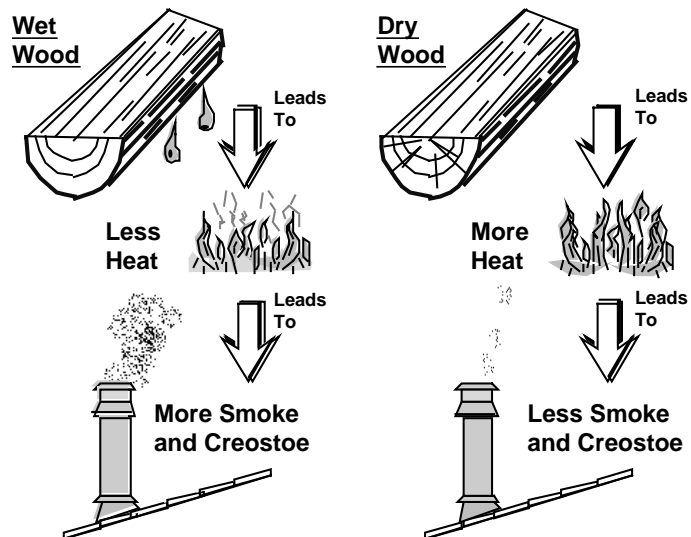
- Get the appliance hot before adjusting to low burn
- Use smaller pieces of wood during start-up and high burns to increase temperature
- Use larger pieces of wood for overnight or sustained burns
- Stack the wood tightly together to establish a longer burn
- Be considerate of neighbors & the environment: burn dry wood only
- Burn small, intense fires instead of large, slow burning fires when possible
- Learn your appliance's operating characteristics to obtain optimum performance

Selecting Wood



Burn only untreated wood. Burning other materials such as wood preservatives, metal foils, coal, plastic, sulfur, or oil will damage the stove.

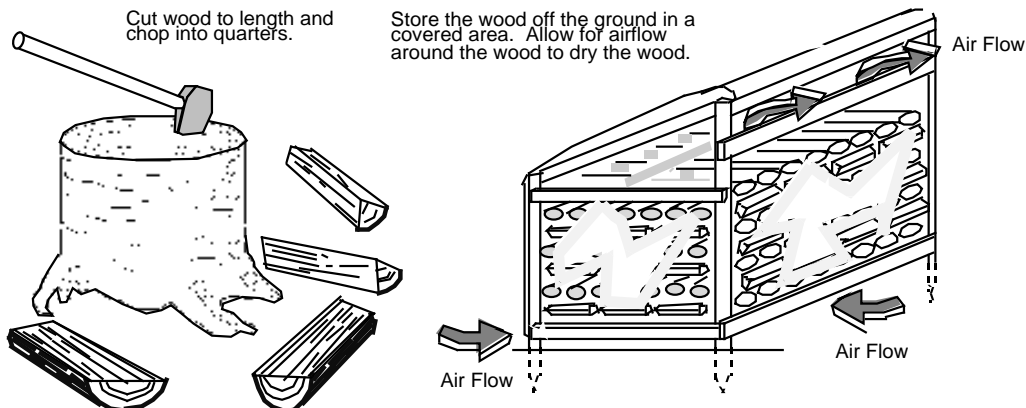
- Dry wood burns hot, emits less smoke and creates less creosote.
- Split wood stored in a dry area will be fully dry within a year. This insures dry wood. If purchasing wood for immediate use, test the wood with a moisture meter. Some experienced wood burners can measure wood moisture by knocking pieces together and listening for a clear "knock" and not a "thud".
- Testing Wood Moisture – Split a piece of wood down the middle and test the center using a wood moisture meter.



Why Dry Wood is Key

Wet wood, when burned, must release water stored within the wood. This cools the fire, creates creosote, and hampers a complete burn. Ask any experienced wood burner and he or she will agree: dry wood is crucial to good performance.

Wood Cutting and Storage



Do Not Burn List

This heater is designed to burn natural wood only. Higher efficiencies and lower emissions generally result when burning air dried seasoned hardwoods, as compared to softwoods or to green or freshly cut hardwoods. **DO NOT BURN:**

- (1) Garbage;
- (2) Lawn clippings or yard waste;
- (3) Materials containing rubber, including tires;
- (4) Materials containing plastic;
- (5) Waste petroleum products, paints or paint thinners, or asphalt products;
- (6) Materials containing asbestos;
- (7) Construction or demolition debris;
- (8) Railroad ties or pressure-treated wood;
- (9) Manure or animal remains;
- (10) Salt water driftwood or other previously salt water saturated materials;
- (11) Unseasoned wood; or
- (12) Paper products, cardboard, plywood, or particleboard. The prohibition against burning these materials does not prohibit the use of fire starters made from paper, cardboard, saw dust, wax and similar substances for the purpose of starting a fire in an affected wood heater.

Burning these materials may result in release of toxic fumes or render the heater ineffective and cause smoke.

Troubleshooting

Problem	Possible Cause
Smoke Enters Room During Start-Up	<ul style="list-style-type: none"> • Open the bypass and air control (pg. 21). • Cold Air Blockage - burn a piece of newspaper to establish a draft. • If the flame is not getting enough air, a small crack in the door is all that is needed.
Kindling Does Not Start - Fire Smolders	<ul style="list-style-type: none"> • Open the bypass and air control (pg. 21). • Not enough starter paper - use additional newspaper if necessary. • If the flame is not getting enough air, a small crack in the door is all that is needed.
Smoke Enters Room While Re-Loading	<ul style="list-style-type: none"> • Open the bypass and air control before opening the door (pg. 21). • Let the air stabilize before fully opening the door. Then open the door approximately 1 inch. Let air go into the firebox for a few seconds. Once the smoke appears to be flowing up the chimney consistently, open the door. • Insufficient Draft - Chimney height and outside conditions can negatively affect draft. In these cases a small amount of smoke may enter the home. Adding more piping or a draft-inducing cap may help.
Stove Does Not Burn Hot Enough	<ul style="list-style-type: none"> • Wood is Wet - see the section "Selecting Wood" on page 26 for details on wood. • Make sure the air control is all the way open. Slide the control back and forth to insure the control is not stuck. • Insufficient Draft - Chimney height and outside conditions can negatively affect draft. In these cases the fire may burn slowly. Adding more piping or a draft-inducing cap may help.
Blower Does Not Run	<ul style="list-style-type: none"> • Stove is Not Up to Temperature - This is normal. The blower will come on when the stove is hot - usually 15 to 30 minutes. • Electricity is cut to the Blower - Check the household breaker or fuse to make sure it is operable.
Stove Does Not Burn Long Enough	<ul style="list-style-type: none"> • Depending upon wood, draft, and other factors, the burn time may be shorter than stated. Make sure the load door and ash door are sealing and not allowing air into the firebox - See the section "Door and Glass Inspection" on page 30 for details. • Check the ash bed for coals. Often, coals are still glowing under a slight bed of fly ash. By raking these into a pile you can re-start your stove quickly.



Failure to properly maintain and inspect your appliance may reduce the performance and life of the appliance, void your warranty, and create a fire hazard. Use only specified components. Use of unauthorized components may result in property damage, injury, or even death.



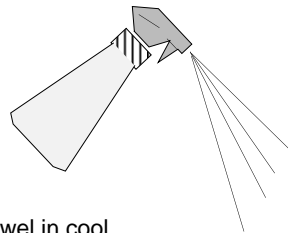
Establish a routine for the fuel, wood burner and firing technique. Check daily for creosote build-up until experience shows how often you need to clean to be safe. Be aware that the hotter the fire the less creosote is deposited, and weekly cleaning may be necessary in mild weather even though monthly cleaning may be enough in the coldest months. Contact your local municipal or provincial fire authority for information on how to handle a chimney fire. Have a clearly understood plan to handle a chimney fire.

Daily Maintenance (while stove is in use)

Clean the Glass (if necessary)

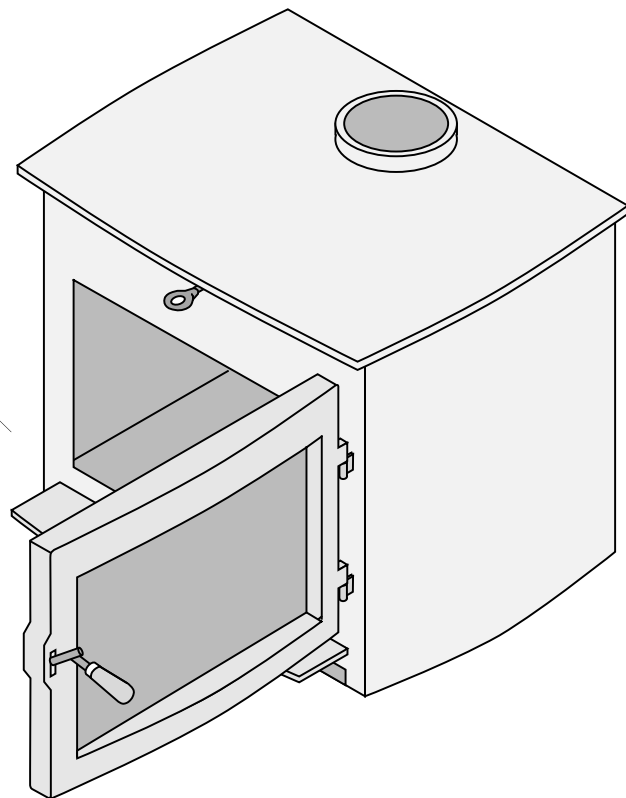
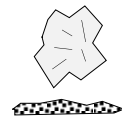
This appliance has an air wash to keep the glass clean. However, burning un-seasoned wood or burning on lower burn rates leads to dirtier glass (especially on the sides). Clean the glass by following the directions below. Do not clean glass with abrasive cleaners.

Allow the stove to fully cool. Apply glass cleaner or soapy water to the inside of the glass. Wipe with newspaper or a paper towel.



For Stubborn Creosote:

Dip newspaper or a paper towel in cool ashes and wipe it on the glass. The ash acts as a light abrasive.



The glass will develop a very slight haze over time. This is normal and will not affect viewing of the fire.

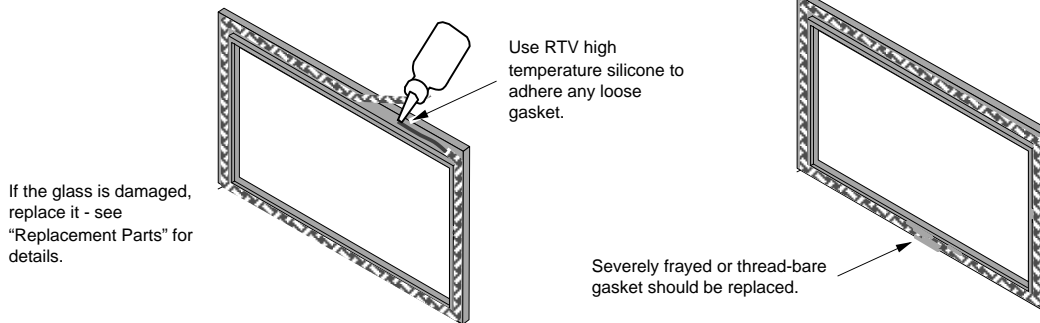
Monthly Maintenance (while appliance is in use)



Make sure the appliance has fully cooled prior to conducting service.

Door and Glass Inspection

The door must form an air-tight seal to the firebox for the stove to work correctly. Inspect the door gasket to make sure it forms an air-tight seal to the firebox.

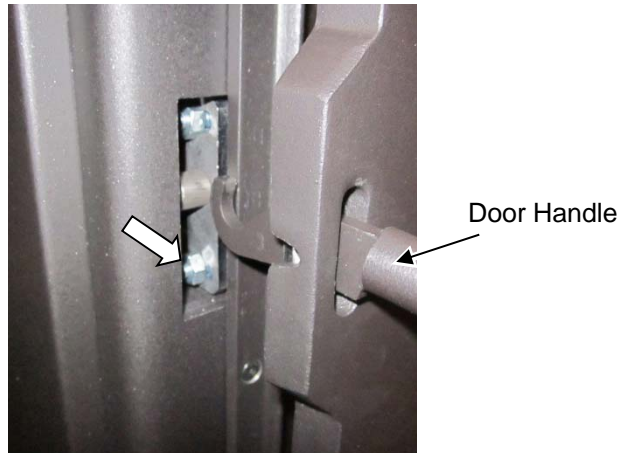


The door latch should pull the door against the face of the stove (but not so tight as to not allow full handle rotation). If the latch requires adjustment, follow the directions below.

Door Adjustment

The door latch should hold the door tightly against the stove, while allowing the handle to rotate fully. If the latch requires adjusting, follow the directions below.

Loosen the bottom nut with a 7/16" wrench (see arrow to the right). Tap the bottom nut inwards, moving the door catch inwards. Tighten the nut and test operation. You may need to repeat this process, either moving the nut inwards or outwards, until the door catch is in the correct position.



Creosote - Formation and Need for Removal

When wood is burned slowly, it produces tar and other organic vapors, which combine with expelled moisture to form creosote. The creosote vapors condense in the relatively cool chimney flue of a slow-burning fire. As a result, creosote residue accumulates on the flue lining. When ignited, this creosote makes an extremely hot fire. The chimney and chimney connector should be inspected at least once every two months during the heating season to determine if a creosote buildup has occurred. If creosote has accumulated, it should be removed to reduce the risk of a chimney fire.



If you are not certain of creosote inspection, contact your dealer or local chimney sweep for a full inspection. Excess creosote buildup may cause a chimney fire that may result in property damage, injury, or death.



Operating this appliance continually at a low burn rate (air starvation) or using green (un-seasoned wood) will increase the formation of creosote.

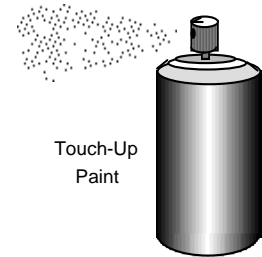
Yearly Maintenance



Make sure the appliance has fully cooled before servicing.

Touch-Up Paint

Included with the owner's pack of this appliance is a can of Stove-Brite® paint. To touch up nicks or dulled paint, apply the paint while the appliance is cool. Sand rusted or damaged areas before preparation (use 120-grit sandpaper). Clean and dry the area to prepare the surface. Wait at least one hour before starting the appliance. The touched-up area will appear darker than the surrounding paint until it cures from heat. Curing will give off some fumes while curing – open windows to ventilate.



Touch-Up
Paint

Cleaning the Air Duct and Blower (if applicable)

Use a vacuum to clean the air ducts (channels). This prevents dust from burning and creating odors. The optional blower should be vacuumed every year to remove any buildup of dust, lint, etc.

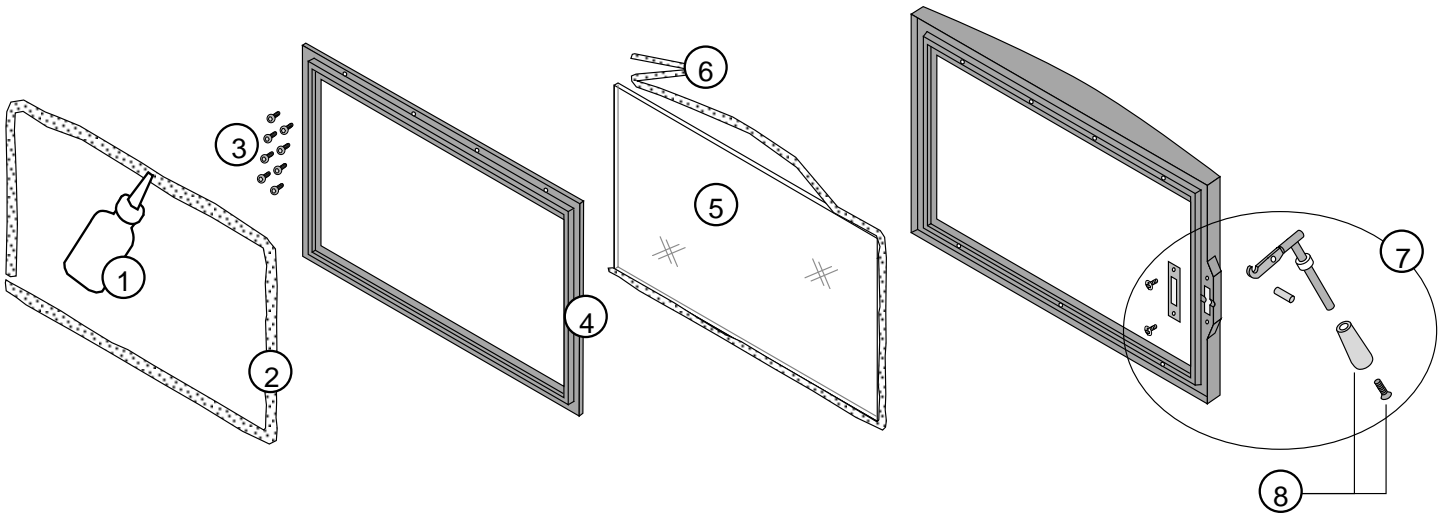
Firebrick and Baffle Inspection

Use the illustration on page 33 as a reference for checking the following items. Make sure the appliance is cool before proceeding.

Secondary Air Tubes - Check the air tubes and pins to make sure they are intact and not severely deteriorated. Slight scaling or rusting of the metal is normal. Make sure the pins hold the air tubes in place.

Firebricks - Replace any severely damaged firebrick.

Door Parts



ID #	Description	Qty.	Part #	ID #	Description	Qty.	Part #
1	RTV High Temp. 600° Silicone		99900427	5	Glass	1	250-03605
2	Door Gasket	1	250-02832	6	Glass Gasket	1	99900405
3	Screws (8) 10-24 x 1/2"	1	250-03656	7	Door Handle Assy.	1	250-03606
4	Door Retainer	1	250-03657	8	Door Handle	1	250-01305

Replacing the Glass



The glass must not contact the door retainer or glass clips directly. The glass gasket and glass clip gaskets insulate the glass to prevent cracking. Do not over-tighten the glass clips. Do not use substitute materials.

Replacing the Door Gasket

The door gasket inserts into the outer groove of the door, and is held in place with RTV high-temperature silicone. Before installing, remove any residual cement. Lay the gasket in place (start at the lower right corner) and cut off any excess gasket.

NOTE: Do not stretch the gasket. You may need to open and close the door repeatedly to get the gasket to seat fully.

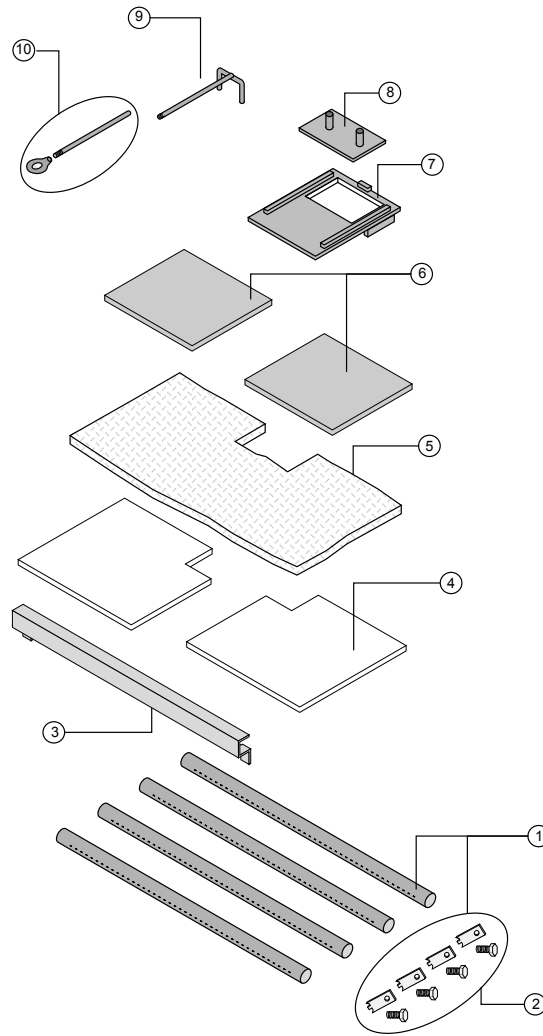
Replacing the Door Handle

See the illustration above for a component list (see page 30 for details on adjusting the door).

Removing the Door

To remove the door, swing the door open 90°. Grasp the door with both hands and lift upwards. If the door does not disengage, swing it open and closed while lifting upwards to work the door off the hinges.

Firebox Parts



ID #	Description	Qty.	Part #	ID #	Description	Qty.	Part #
1	Secondary Air Tubes		98900247	6	Baffle Insulation Protectors	2	250-03659
2	Air Tube Pins		250-03658	7	Bypass Support	1	250-03594
3	Front Baffle Support	1	250-03597	8	Bypass Slider	1	250-03596
4	Baffle Plates (ceramic)	2	250-03598	9	Bypass Yoke	1	250-03590
5	Baffle Insulation	1	250-03599	10	Bypass Ext. Rod w Pull Ring	1	98900333

Baffle Removal & Replacement

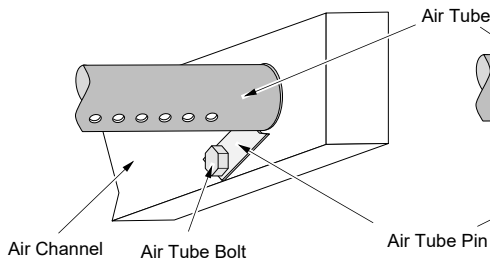


The baffle is held up by the 4 air tubes. Make sure to support the baffle while removing the air tubes.

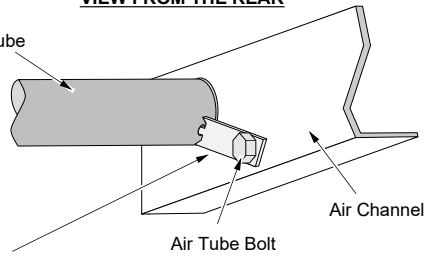
- Remove the two front air tubes. Lift the front baffle up, twist it forward and remove.
- Remove the bypass yoke assembly (pull the bypass forward, unscrew the extension rod from the yoke). The yoke may be removed by reaching through the bypass hole.
- Remove the bypass slider (it may be removed by reaching through the bypass hole). Remove the bypass support (lift it up from below, turn it sideways, slide it forward, and remove it from the front).
- Remove the baffle insulation (take care – it is fragile and may be covered in flyash).
- The baffle plates may be removed to finalize baffle removal. To replace the baffle components, follow the instructions in reverse order.

Air Tube Removal & Replacement

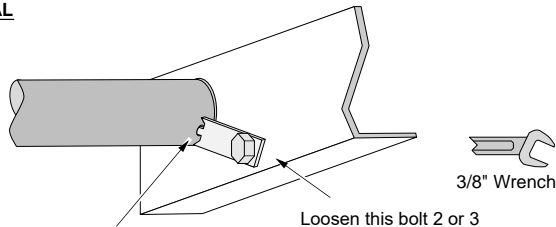
VIEW FROM THE FRONT



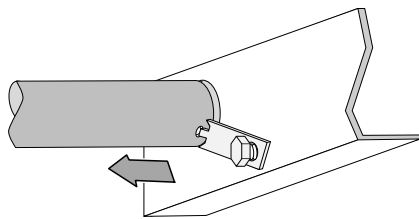
VIEW FROM THE REAR



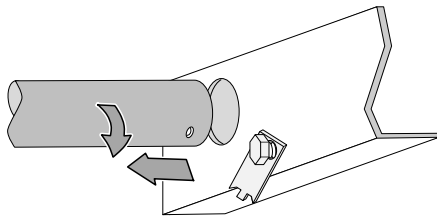
AIR TUBE REMOVAL



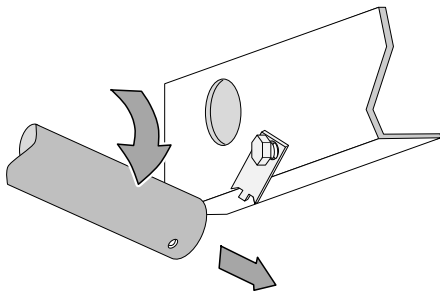
Note how the center of the air tube pin inserts into a hole on the air tube.



With the bolt loosened the air tube can be slid out of the air channel.



The pin will then disengage from the air tube (you may wish to rotate the tube slightly).



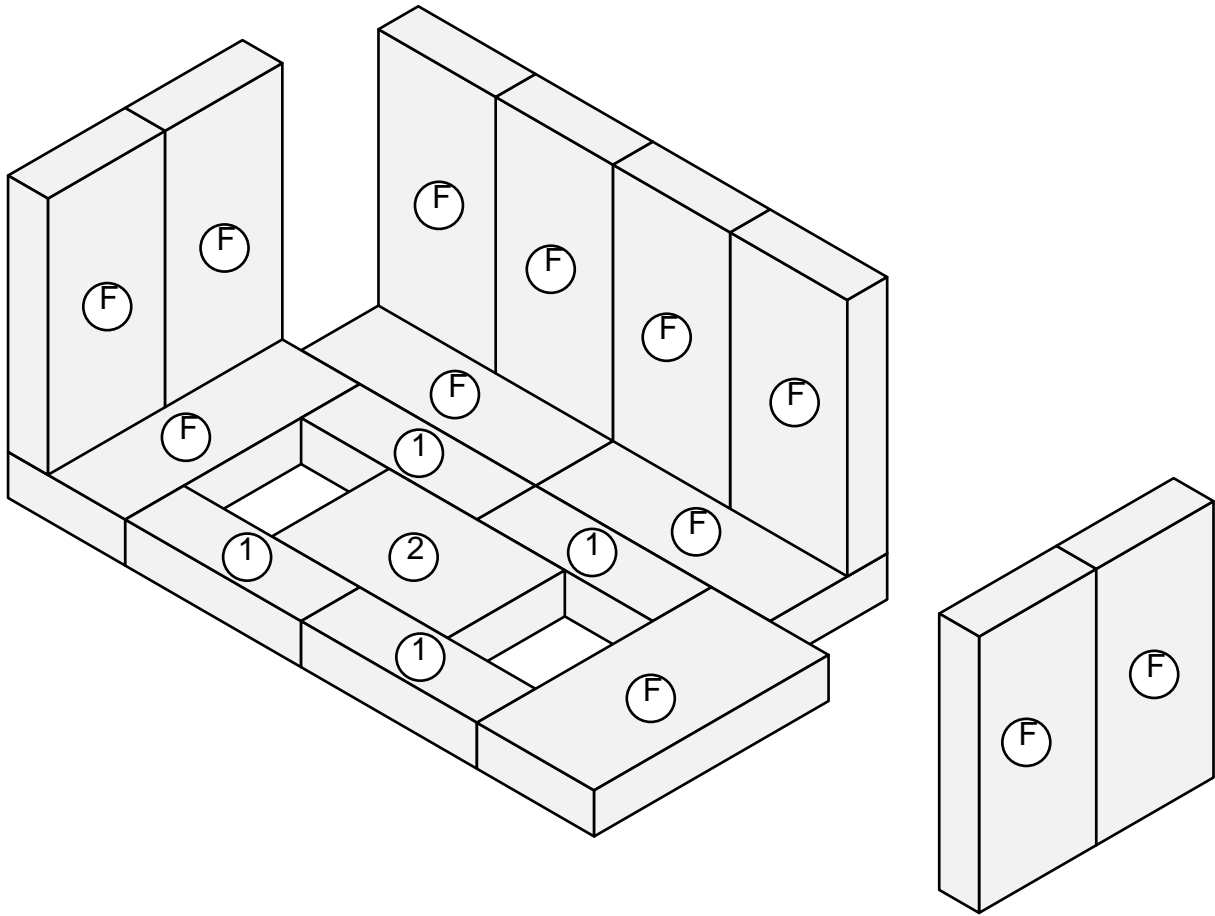
Pivot the air tube downwards and slide it out of the air channel on the opposite side.

TUBE SIZING

- Front = 1" Hole Spacing
- Middle Front = 1" Hole Spacing
 - Hole size is 1/8" dia.
- Middle Rear = 1/2" Hole Spacing
 - Hole size is 1/8" dia.
- Rear = 1/2" Hole Spacing
 - Hole size is 0.094" dia.

Firebrick Removal & Replacement

Do not pry firebricks - they chip and crack easily. Remove the firebricks by lifting them out by the bottom edges as shown below (the photos do not show the side firebricks). Clean the firebox before replacing the firebricks. Note that there are nine firebricks, including the igniter firebrick.



ID #	Description	Qty.	Part #
F	Full Size Firebrick (4.5" x 9")	12	251-00000
1	Cut Firebrick (Approx 6.8" x 2.1")	4	251-00078
2	Cut Firebrick (Approx 6" x 4.5")	1	251-00079

Register your TRAVIS INDUSTRIES, INC. Limited 7 Year Warranty online at traviswarranty.com. TRAVIS INDUSTRIES, INC. warrants this gas appliance (appliance is defined as the equipment manufactured by Travis Industries, Inc.) to be defect-free in material and workmanship to the original purchaser from the date of purchase as follows

**Check with your dealer in advance for any costs to you when arranging a warranty call.
Mileage or service charges are not covered by this warranty. This charge can vary from store to store.**

Years 1 THROUGH 2- COVERAGE: PARTS & LABOR

- Firebox Assembly:
Firebox, Baffle Components, Air Tubes, Air Channels, Convection Chamber
- Door Assembly:
Cast Door, Latch Assembly, Glass Retainers
- Air Control Assembly
Slider Plate, Pressure Plate
- Ceramic Glass
Glass (breakage from thermal shock)
- Firebrick
Breakage from thermal shock
- Accessories
Legs, Pedestal, Blower, GreenStart™ Igniter
- Re-Installation Allowance
In cases where heater must be removed from home for repairs, a partial cost of re-installation is covered (pre-authorization required)
- One-Way Freight Allowance
One-way freight allowance on pre-authorized repair done at factory is covered.

Exclusions: Paint, Gasketing

Years 3 THROUGH 5 - COVERAGE: PARTS & LABOR

- Firebox Assembly:
Firebox, Baffle Components, Air Tubes, Air Channels, Convection Chamber
- Air Control Assembly
Slider Plate, Pressure Plate
- Door Assembly:
Cast Door, Latch Assembly, Glass Retainers
- One-Way Freight Allowance
One-way freight allowance on pre-authorized repair done at factory is covered.

Exclusions: Paint, Gasketing, Accessories, Glass, Firebrick, Re-Installation Allowance

Years 6 THROUGH 7 - COVERAGE: PARTS

- Firebox Assembly:
Firebox, Air Tubes, Air Channels, Convection Chamber
- Air Control Assembly
Slider Plate, Pressure Plate
- Door Assembly:
Cast Door, Latch Assembly, Glass Retainers

Exclusions: Paint, Gasketing, Accessories, Glass, Firebrick, Re-Installation Allowance, Baffle Components, One-Way Freight Allowance, Labor Charges

CONDITIONS & EXCLUSIONS

1. This new appliance must be installed by a qualified installer. It must be installed, operated, and maintained at all times in accordance with the instructions in the Owner's Manual. Any alteration, willful abuse, accident, neglect, or misuse of the product shall nullify this warranty.
2. This warranty is nontransferable, and is made to the ORIGINAL purchaser, provided that the purchase was made through an authorized Travis dealer.
3. Discoloration and some minor expansion, contraction, or movement of certain parts and resulting noise, is normal and not a defect and, therefore, not covered under warranty.
4. This warranty does not cover misuse of the stove. Misuse includes over-firing (operation where the connector or stove may glow red) of this appliance can cause serious damage and will nullify this warranty. Misuse includes use of salt saturated wood, chemically treated wood, or any fuel not recommended in the manual.
5. Damage to the stove due to improper break-in procedures (see manual for proper break in).
6. The salt air environment of coastal areas or a high humidity environment can be corrosive to the castings. These conditions can be corrosive and can cause the cast iron to rust. This warranty does not cover any damage caused by a salt air or high humidity environment.
7. Damage to the appliance while it is in transit is not covered by this warranty, but is subject to a claim against the common carrier.
8. The warranty, as outlined within this document, does not apply to the chimney components or other Non-Travis accessories used in conjunction with the installation of this product. If in doubt as to the extent of this warranty, contact your authorized Travis retailer before installation.
9. Travis Industries will not be responsible for inadequate performance caused by environmental conditions such as nearby trees, buildings, roof tops, wind, hills or mountains or negative pressure or other influences from mechanical systems such as furnaces, fans, clothes dryers, etc.
10. Burning of trash, garbage, artificial or paper logs, gift wrappings, coal, lighter fluids, chemical starters, treated or painted wood, driftwood or chemical cleaners will void the warranty.
11. This Warranty is void if:
 - a. The appliance has been operated in atmospheres contaminated by chlorine, fluorine or other damaging chemicals.
 - b. The appliance is subject to submersion in water or prolonged periods of dampness or condensation.
 - c. Any damage to the appliance, combustion chamber, heat exchanger or other components due to water, or weather damage which is the result of, but not limited to, improper chimney/venting installation.
12. Exclusions to this 5 Year Warranty include: injury, loss of use, damage, failure to function due to accident, negligence, misuse, improper installation, alteration or adjustment of the manufacturer's settings of components, lack of proper and regular maintenance, damage incurred while the appliance is in transit, alteration, or act of God.
13. This 5 Year warranty excludes damage caused by normal wear and tear, such as paint discoloration or chipping, worn or torn gasketing, chipped or cracked firebrick, etc. Also excluded is damage to the appliance caused by abuse, improper installation, modification of the appliance, or the use of fuel other than that for which the appliance is configured (use cord wood only).
14. Damage to brass or plated surfaces caused by fingerprints, scratches, melted items, or other external sources left on the surfaces from the use of abrasive cleaners is not covered in this warranty. Damage to the surfaces from over-firing (operation where the steel may glow red) is not covered in this warranty.
15. TRAVIS INDUSTRIES, INC. is free of liability for any damages caused by the appliance, as well as inconvenience expenses and materials. Incidental or consequential damages are not covered by this warranty. In some states, the exclusion of incidental or consequential damage may not apply.
16. This 5 Year warranty does not cover any loss or damage incurred by the use or removal of any component or apparatus to or from the Travis appliance without the express written permission of TRAVIS INDUSTRIES, INC. and bearing a TRAVIS INDUSTRIES, INC. label of approval. This warranty does not cover a stove repaired by someone other than a Travis Industries authorized dealer.
17. Any statement or representation of Travis products and their performance contained in Travis advertising, packaging literature, or printed material is not part of this 5 year warranty.
18. This warranty is automatically voided if the appliance's serial number has been removed or altered in any way. If the appliance is used for commercial purposes, it is excluded from this warranty.
19. No dealer, distributor, or similar person has the authority to represent or warrant Travis products beyond the terms contained within this warranty. TRAVIS INDUSTRIES, INC. assumes no liability for such warranties or representations.
20. Travis Industries will not cover the cost of the removal or re-installation of hearths, facing, mantels, venting or other components.
21. If for any reason any section of this warranty is declared invalid, the balance of the warranty remains in effect and all other clauses shall remain in effect.
22. This 5 year warranty is the only warranty supplied by Travis Industries, Inc., the manufacturer of the appliance. All other warranties, whether express or implied, are hereby expressly disclaimed and purchaser's recourse is expressly limited to the warranties set forth herein.

IF WARRANTY SERVICE IS NEEDED:

1. If you discover a problem that you believe is covered by this warranty, you MUST REPORT it to your Travis dealer WITHIN 30 DAYS, giving them proof of purchase, the purchase date, and the model name and serial number.
2. Travis Industries has the option of either repairing or replacing the defective component.
3. If your dealer is unable to repair your appliance's defect, he may process a warranty claim through TRAVIS INDUSTRIES, INC., including the name of the dealership where you purchased the appliance, a copy of your receipt showing the date of the appliance's purchase, and the serial number on your appliance. At that time, you may be asked to ship your appliance, freight charges prepaid, to TRAVIS INDUSTRIES, INC. TRAVIS INDUSTRIES, INC., at its option, will repair or replace, free of charge, your appliance if it is found to be defective in material or workmanship within the time frame stated within this 5 year warranty. TRAVIS INDUSTRIES, INC. will return your appliance, freight charges (years 1 to 3) prepaid by TRAVIS INDUSTRIES, INC., to your regional distributor, or dealership.
4. Check with your dealer in advance for any costs to you when arranging a warranty call. Mileage or service charges are not covered by this warranty. This charge can vary from store to store.
5. Any appliance or part thereof that is repaired or replaced during the limited warranty period will be warranted under the terms of the limited warranty for a period not to exceed the remaining term of the original limited warranty or three (3) months, whichever is longer.

Listing Label



DO NOT REMOVE THIS LABEL
 CONTACT LOCAL BUILDING OR FIRE OFFICIALS ABOUT INSTALLATION AND RESTRICTIONS IN YOUR AREA.
 SUITABLE FOR USE IN CONVENTIONAL RESIDENTIAL INSTALLATIONS, MANUFACTURED HOMES AND ALCOVES.



MODEL:
EVERGREEN
 Certified for USA and Canada

SERIAL NO:



CONFORMS TO UL STD 1482; CERTIFIED TO ULC STD S627-2000

PREVENT HOUSE FIRES - Install and use only in accordance with the manufacturer's installation and operating instructions. Contact your local building or fire officials about restrictions and installation inspection in your area. Refer to local building codes and manufacturer's instructions for precautions required for passing a chimney through a combustible wall or ceiling. Do not run a chimney connector through a combustible wall or ceiling. Do not connect this unit to a chimney flue serving another appliance. Clearances may be reduced by methods specified in NFPA 211, listed wall shields, pipe shields, or other means approved by local building or fire officials. This wood heater needs periodic inspection and repair for proper operation. Consult the owner's manual for further information. It is against federal regulations to operate this wood heater in a manner inconsistent with the operating instructions in the owner's manual.

Do not route power cord under or in front of appliance.
 Replace glass only with 5mm neoceramic or ceramic glass.
 Must be installed with legs provided.

U.S. ENVIRONMENTAL PROTECTION AGENCY
 Certified to comply with 2015 particulate emission standards.
 Not approved for sale after May 15, 2020. 3.6 g/h, Method 28, 5G2, 2015



Manufactured by:
 TRAVIS INDUSTRIES, INC.
 12521 Harbour Reach Drive
 Mukilteo, WA 98275
 www.travisproducts.com



OWNER'S MANUAL

DATE OF MANUFACTURE															
2015	2016	2017	2018	Jan	Feb	Mar	Apr	May	Jun	Jul	Aug	Sep	Oct	Nov	Dec
■	■	■	■	■	■	■	■	■	■	■	■	■	■	■	■

Made in U.S.A.

1181

FREESTANDING INSTALLATION

STANDARD RESIDENTIAL FREESTANDING INSTALLATIONS REQUIRE: 6" diameter, minimum 24 MSG black, with listed UL-103 HT factory-built chimney, suitable for use with solid fuels or masonry chimney. Pedestal or legs are required.
ALCOVE INSTALLATIONS REQUIRE: One of the Listed doublewall connectors listed below.
MANUFACTURED HOME AND REDUCED CLEARANCE INSTALLATIONS REQUIRE: One of the Listed doublewall connectors listed below. In addition, manufactured home installations require outside air - use the optional pedestal or outside air boot.

- AMERI-TEC model DCC connector with model HS chimney
- DURA-VENT model DVL connector with DURA-PLUS chimney
- GSW-JAKES EVANS SUPERPIPE 2100
- I.C.C. EXCEL (103-HT) chimney with HP connector
- METALFAB model DW connector with TG chimney
- OLIVER MACLEOD PROVENT model PV connector with model 3103 chimney
- SECURITY model DP connector with SECURITY model ASHT or S2100 chimney
- SELKIRK METALBESTOS model DS connector with model SSII chimney
- OLYMPIA VENTIS® with Ventis doublewall black stove pipe

Minimum Clearances To Combustibles And Hearth Requirements:	Singlewall Connector Conventional Residential Installations	Alcove, Manufactured Home and Reduced Clearance Conventional Residential Installations
A.	12 in. / 305 mm	11 in. / 280 mm
B.	17 in. / 432 mm	9 in. / 229 mm
C.	8 in. / 204 mm	4 in. / 102 mm
D.	22.5 in. / 572 mm	21 in. / 534 mm
E.	19 in. / 483 mm	10.5 in. / 267 mm
F.	17.5 in. / 445 mm	13.5 in. / 343 mm
G.	US: 6 in. (153 mm) / CAN: 8 in. (204 mm)	US: 6 in. (153 mm) / CAN: 8 in. (204 mm)
H.	US: 16 in. (407 mm) / CAN: 18 in. (458 mm)	US: 16 in. (407 mm) / CAN: 18 in. (458 mm)

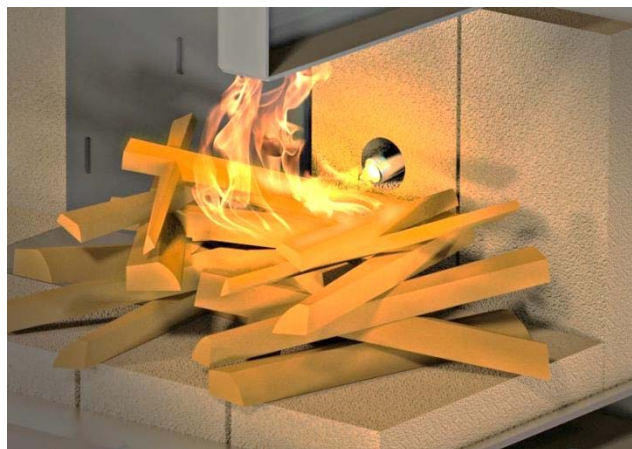
FREESTANDING CLEARANCE DIAGRAM	ALCOVE SPECIFICATIONS	FLOOR PROTECTION DIAGRAM
	Max. Alcove Depth: 48 in. (1220 mm) Min. Alcove Height: 84 in. (2134 mm) Min. Alcove Width: 50 in. (1270 mm)	Floor protection must be a non-combustible material extending beneath the heater and to the front, sides and back as indicated. See Owner's Manual for examples of non-combustible materials that can be used. Do not obstruct space beneath heater.

Rear Blower (Part # 99000143)

An optional rear blower is available for your stove. This accessory pushes heated air into the room. Contact your dealer for details.

***GreenStart™ Woodstove Igniter (Part # 94400953)***

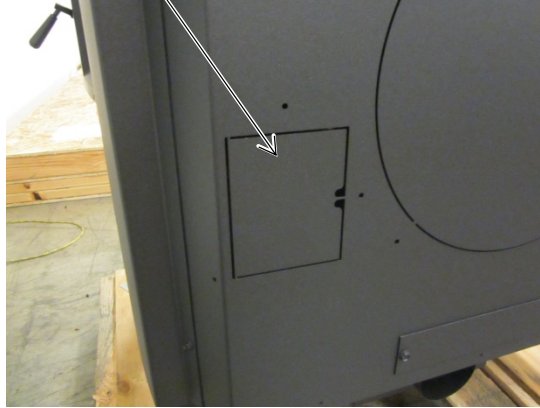
An optional GreenStart™ igniter is available for your stove. This accessory starts your fire with a simple push of the button. Contact your dealer for details.



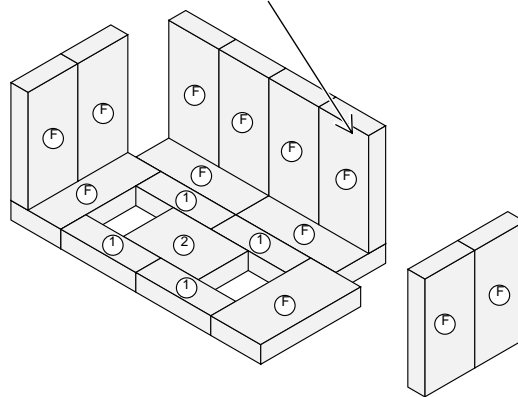
GreenStart Igniter Installation Addendum

This stove may use the optional GreenStart igniter. When installing, follow the instructions listed under the "Cape Cod" heading in the installation instructions included with the igniter. When installing, make sure to accommodate the following:

- (a) Pry out this cover plate on the back of the stove.



- (b) Replace the right backwall firebrick with the igniter firebrick included with the igniter (it has a hole in it).



- (c) Make sure to attach the cover plate and cover box to the stove after the igniter is in place (these components, along with screws, are included with the stove).



Adjusting the Burn Rate	21	Heating Specifications	6
Air Tube Removal & Replacement.....	34	Hints for Burning	26
Alcove Installation Requirements.....	13	Installation Options	6
Ash Pan.....	23	Listing Label.....	38
Ash Removal.....	23	Mobile Home Requirements	14
Baffle Removal & Replacement	33	Monthly Maintenance	30
Before Your First Fire.....	18	Normal Operating Sounds	25
Bypass Operation.....	19	Opening the Door.....	19
Chimney Connector Requirements.....	10	Outside Air Requirements.....	12
Chimney Requirements.....	11	Over-Firing the Stove.....	18
Chimney Termination Requirements	12	Overnight Burn.....	25
Clean the Glass.....	29	Planning the Installation.....	7
Cleaning the Air Duct and Blower	31	Preparation for Installation.....	7
Clearances	8	Re-Loading the Stove	25
Creosote - Formation and Need for Removal..	31	Removing the Door	32
Curing the Paint	18	Replacing the Door Gasket.....	32
Daily Maintenance.....	29	Replacing the Door Handle.....	32
Dimensions	6	Replacing the Glass.....	32
Do Not Burn List.....	27	Safety Notice.....	18
Door Adjustment	30	Selecting Wood.....	26
Door and Glass Inspection.....	30	Starting a Fire	20
Door Parts	32	Stove Placement Requirements	8
Emissions	6	Touch-Up Paint.....	31
Features	6	Troubleshooting	28
Firebox Parts.....	33	Why Dry Wood is Key	26
Firebrick and Baffle Inspection.....	31	Wood Cutting and Storage	26
Firebrick Removal & Replacement.....	35	Yearly Maintenance	31
Floor Protection Requirements	8		