



PREMIER GRILLS & ACCESSORIES



WHO IS DELTA HEAT?

Delta Heat's founder, owner and operator is award-winning Gas Engineer, Dante Cantal.

For more than 30 years, Dante has been instrumental in the development and evolution of commercial and residential cooking equipment.

Dante's expert knowledge of residential appliances and high-performance, commercial cooking equipment, set the stage for his transition to grills and outdoor kitchen equipment in the 1990's.

Delta Heat is a true culmination of past experiences, refined and perfected to ensure exceptional design, construction and performance.





DELTA HEAT PREMIER GRILLS

We understand that the right features, exceptional performance and longevity are important to you. Rest assured that these attributes are at the forefront of all Delta Heat products.

We also understand the importance of style. Our engineers and master craftsmen have built unmistakable appeal into each and every Delta Heat product.

After all, your home is a reflection of your personal style. Your grill or outdoor kitchen should not be an exception.





THE ULTIMATE OUTDOOR KITCHEN

The grill is the cornerstone of any outdoor kitchen but it is the complementary products that bring it to life.

At Delta Heat we have thought through your cooking, storage and entertaining needs. Our offering is complete, giving you the products you need to create a space that is unique to you – A space that suits you and your family's personal cooking and entertaining style.

We invite you to explore the complete Delta Heat offering and create your outdoor kitchen.

GRILL FEATURES



LED Control Panel Lights

Decorative blue lights illuminate the control knobs turning your grill into the main attraction, even when not in use.



Interior Halogen Light(s)

Halogen light(s) illuminate the cooking surface. Advantageous for the evening barbecue, eliminating the need for external lights that may disrupt the ambiance of your gathering.



Mirror Polished Accents

The exquisite hi-polished accents add luxurious refinements to your grill and accessories.



Temperature Gauge

Stylishly integrated and perfectly positioned to indicate the temperature of convected heat during closed lid cooking.



Easy-to-open Hood Assist System

Reduces the weight load of the hood with hidden heavy duty full extension springs.

A 18 Gauge Stainless Steel U-Burners

B Direct Heat & Ceramic Radiant Grilling System

C Stainless Steel Cooking Grates

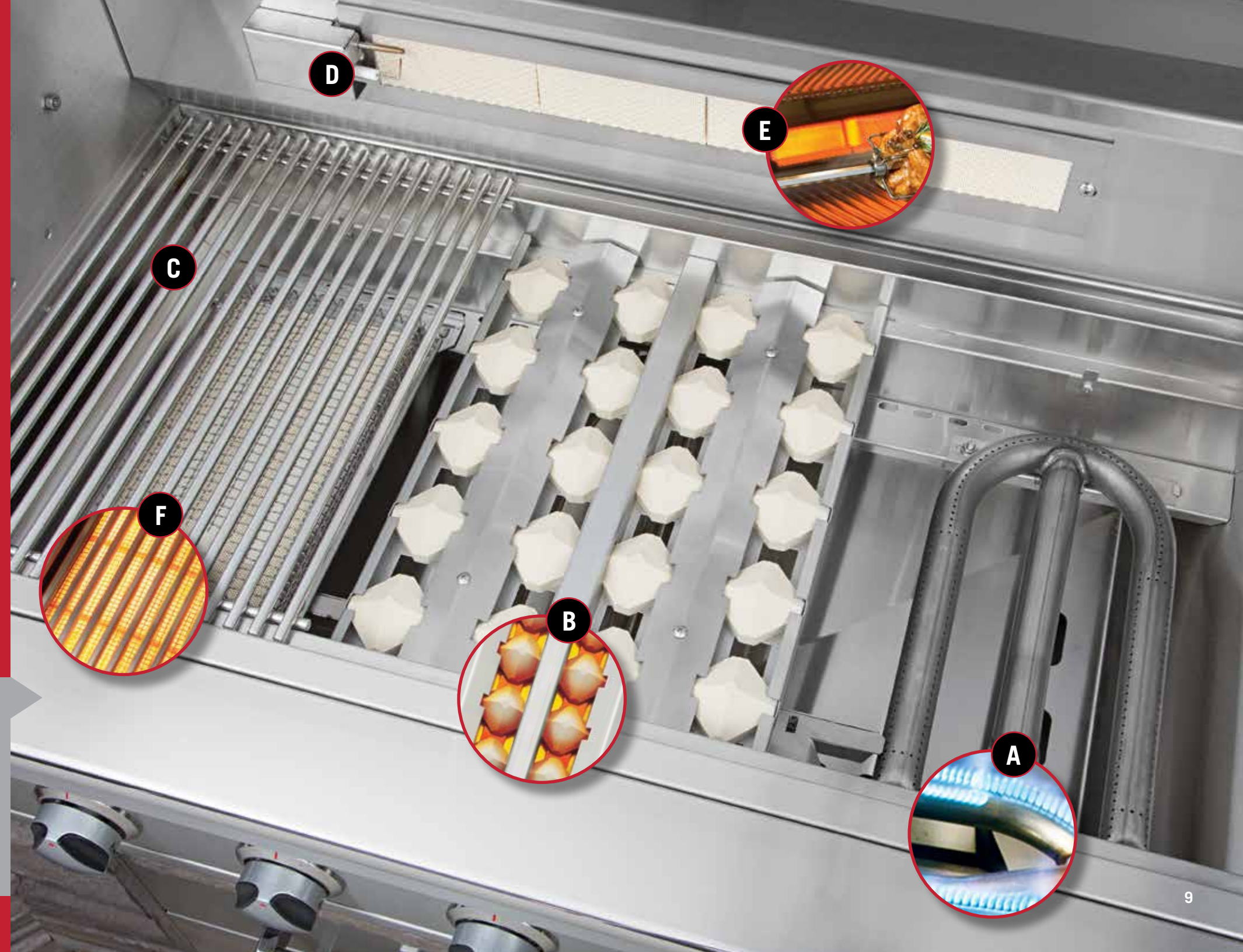
D 9V Electronic Ignition

E Infrared Rotisserie Burner (Rotisserie models only)

F Sear Zone (Sear Zone models only)

Additional Grill Features

- 304 Stainless Steel
- Welded Construction
- Double Lined Hood
- Warming / Cooking Rack



BUILT-IN PREMIER GRILLS



DHBQ38R-D | 38" OUTDOOR GAS GRILL WITH IR ROTISSERIE
DHBQ38RS-D | 38" OUTDOOR GAS GRILL WITH SEAR ZONE AND IR ROTISSERIE

- Three 18 gauge stainless steel U-burners on **R** model
- One IR Sear Burner & Two 18 gauge stainless steel U-burners on **RS** model
- Integrated infrared rotisserie burner
- Two position rotisserie with heavy duty stainless steel motor (40 lb. capacity)
- 625 sq. in. grilling space
- 288 sq. in. warming rack

Non-rotisserie model available (model: *DHBQ38G-D*)

DHBQ32R-D | 32" OUTDOOR GAS GRILL WITH IR ROTISSERIE
DHBQ32RS-D | 32" OUTDOOR GAS GRILL WITH SEAR ZONE & IR ROTISSERIE

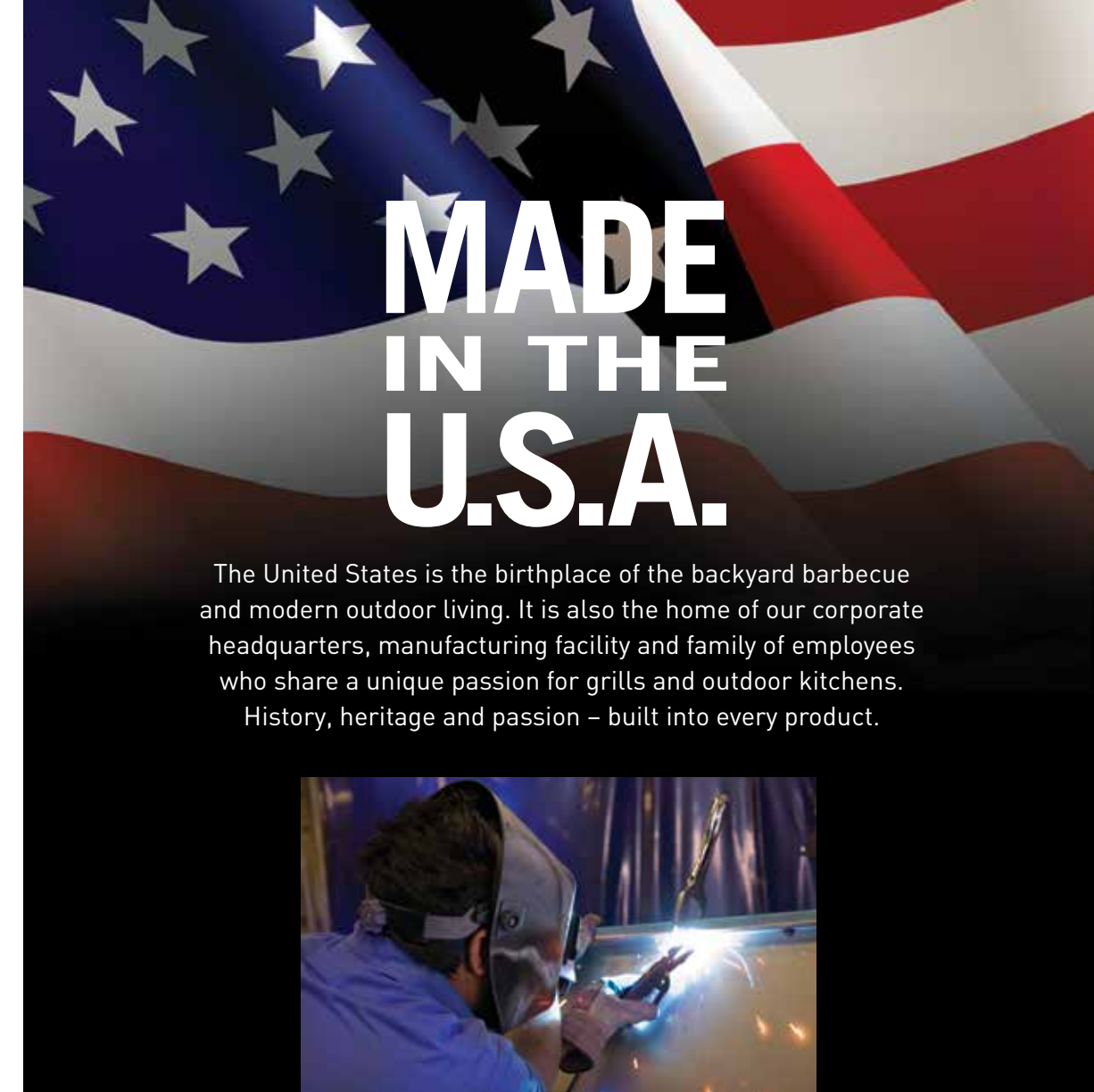
- Three 18 gauge stainless steel U-burners on **R** model
- One IR Sear Burner & Two 18 gauge stainless steel U-burners on **RS** model
- Two position rotisserie with heavy duty stainless steel motor (40 lb. capacity)
- 525 sq. in. grilling space
- 239 sq. in. warming rack

Non-rotisserie model available (model: *DHBQ32G-D*)

DHBQ26G-D | 26" OUTDOOR GAS GRILL

- Two 18 gauge stainless steel U-burners
- 420 sq. in. grilling space
- 189 sq. in. warming rack
- Optional sear zone kit (Model DHSZ-KIT-B)

Optional rotisserie kit sold separately (Kit model: DHRS-KIT-D)



MADE IN THE U.S.A.

The United States is the birthplace of the backyard barbecue and modern outdoor living. It is also the home of our corporate headquarters, manufacturing facility and family of employees who share a unique passion for grills and outdoor kitchens. History, heritage and passion – built into every product.



Sear Zone

Intense direct heat will sear your meats faster and deeper to seal in more juices. More juices means moist, more flavorful food. All 32" and 38" grills are available with or without a Sear Zone. A kit (sold separately) is available for the 26" grill (Kit Model: DHSZ-KIT-B).



Rotisserie

38" and 32" grills are available with or without an integrated rotisserie with infrared (IR) back burner. A rotisserie kit (sold separately) is available for all non-rotisserie grills (Kit model: DHRS-KIT-D fits 32" and 26" grills. Kit model: DHRS38-KIT-D fits the 38" grill).

OUTDOOR ACCESSORIES



DHSB1D-C SINGLE SIDE BURNER, DROP IN

- Drop-in model
- 304 stainless steel construction
- 16,000 BTU sealed burner
- Electronic ignition
- Stainless steel top cover



DHSB2-C DOUBLE SIDE BURNER

- LED control panel lights
- 304 stainless steel construction
- Two 16,000 BTU sealed burners
- 9V electronic ignition
- Stainless steel top cover



DHTD18-B TRASH / LP TANK DRAWER

- Full extension heavy duty drawer slides
 - 304 stainless steel construction
 - One-piece 18 gauge frame
 - Adjustable brackets to fit a standard size trash container or LP tank
- (Trash container and LP tank not included)



DHTD18T-B TALL TRASH DRAWER

- Full extension heavy duty drawer slides
- 304 stainless steel construction
- One-piece 18 gauge frame
- Holds larger capacity trash container (container included)
- Full pull out drawer for easy access



DHPT15-B 15" PAPER TOWEL HOLDER

- 304 stainless steel construction
- One-piece 18 gauge frame
- Swing down paper towel compartment
- Holds a standard size paper towel roll



DHTC TRASH CHUTE

- Removable sliding cutting board
 - Angled side wall directs waste toward container below
 - Stainless steel cover included
 - Aligns over the built-in trash drawer
- (Trash drawer sold separately)

OUTDOOR ACCESSORIES



DHCD30-B | 30" COOLER DRAWER

- Full extension heavy duty drawer slides
 - 304 stainless steel construction
 - Can accommodate up to a 50 quart cooler without casters
 - Maximum cooler dimensions are:
13.5"H x 25"W x 14"D
- (Cooler not included)

DHOC15D | 15" DROP-IN COOLER

- Seamless welded 304 stainless steel construction
- Insulated lid with gasket seal
- 20" depth for increased capacity
- Brass drain with plug
- Heavy duty hinges
- Removable lid

DHOS15 | 15" DROP-IN SINK

- Seamless welded 304 stainless steel construction
- Large basin accommodates oversized items
- 2-inch stainless steel basket drain
- Includes cold faucet

DHOR20 | 20" OUTDOOR REFRIGERATOR

- Stainless steel exterior
- Reversible door (left or right hinged)
- Locking door
- UL approved for outdoor use
- Front venting for under counter installation
- 4.1 cubic feet of storage space
- Three adjustable wire shelves
- Drink can holder plus 3 shelves in the door
- Adjustable leveling legs
- 110 volts / 115 watts

Note: Unit is sourced from a leading refrigeration company outside the USA

VCBQ | VINYL COVERS

- Available for all built-in and freestanding grill models
- Features durable vinyl to protect the stainless steel finish

ACCESS DOORS & STORAGE DRAWERS



[DHAD22R-C shown]

DHAD22(L/R)-C SINGLE ACCESS DOOR

- Horizontal orientation (22" x 16 1/4")
- 304 stainless steel construction
- One-piece 18 gauge frame
- Adjustable European hinges
- Available left or right hinged (must specify)



[DHAD18L-C shown]

DHAD-C SINGLE ACCESS DOOR

- 304 stainless steel construction
- One-piece 18 gauge frame
- Adjustable European hinges
- Available left or right hinged (must specify)

Three sizes available:

- DHAD16(L/R)-C 16" Wide Access Door
(Note: DHAD16(L/R)-C is 22 1/4" High)
- DHAD18(L/R)-C 18" Wide Access Door
- DHAD24(L/R)-C 24" Wide Access Door



[DHAD32-C shown]

DHAD-C DOUBLE ACCESS DOOR

- 304 stainless steel construction
- One-piece 18 gauge frame
- Adjustable European hinges

Six sizes available:

- DHAD26-C 26" Wide Double Access Doors
- DHAD30-C 30" Wide Double Access Doors
- DHAD32-C 32" Wide Double Access Doors
- DHAD36-C 36" Wide Double Access Doors
- DHAD38-C 38" Wide Double Access Doors
- DHAD42-C 42" Wide Double Access Doors



DHSD132-B 13" DOUBLE STORAGE DRAWERS

- 304 stainless steel construction
- One-piece 18 gauge frame
- Full extension heavy duty drawer slides
- Two (2) extended depth drawers



DHSD133-B 13" TRIPLE STORAGE DRAWERS

- 304 stainless steel construction
- One-piece 18 gauge frame
- Full extension heavy duty drawer slides
- Three (3) extended depth drawers



[DHDD302-B shown]

DHDD-B DOOR/TWO OR THREE DRAWER COMBO

- 304 stainless steel construction
- One-piece 18 gauge frame
- Adjustable European hinges
- Full extension heavy duty drawer slides
- Two (2) or three (3) extended depth drawers

Four models available:

- DHDD302-B 30" Wide Door & Two (2) Drawer Combo
- DHDD303-B 30" Wide Door & Three (3) Drawer Combo
- DHDD362-B 36" Wide Door & Two (2) Drawer Combo
- DHDD363-B 36" Wide Door & Three (3) Drawer Combo

PREMIER GRILL BASES

A Delta Heat Premier Grill on a base brings a touch of outdoor lifestyle to any patio or deck. These grill bases are designed with utility and longevity in mind. Make the most of your outdoor space with one of these three models.

GRILL BASE FEATURES

- Four heavy duty casters (two locking)
- Two stationary side shelves with integrated utensil hooks
- Grill head & access doors can be removed for built-in application (38" & 32" grill bases)
- Front access doors (38" & 32" grill bases)
- Rear LP tank loading (26" pedestal base only)
- Grills and grill bases sold separately



DHGB38-C | 38" GRILL BASE



DHGB32-C | 32" GRILL BASE

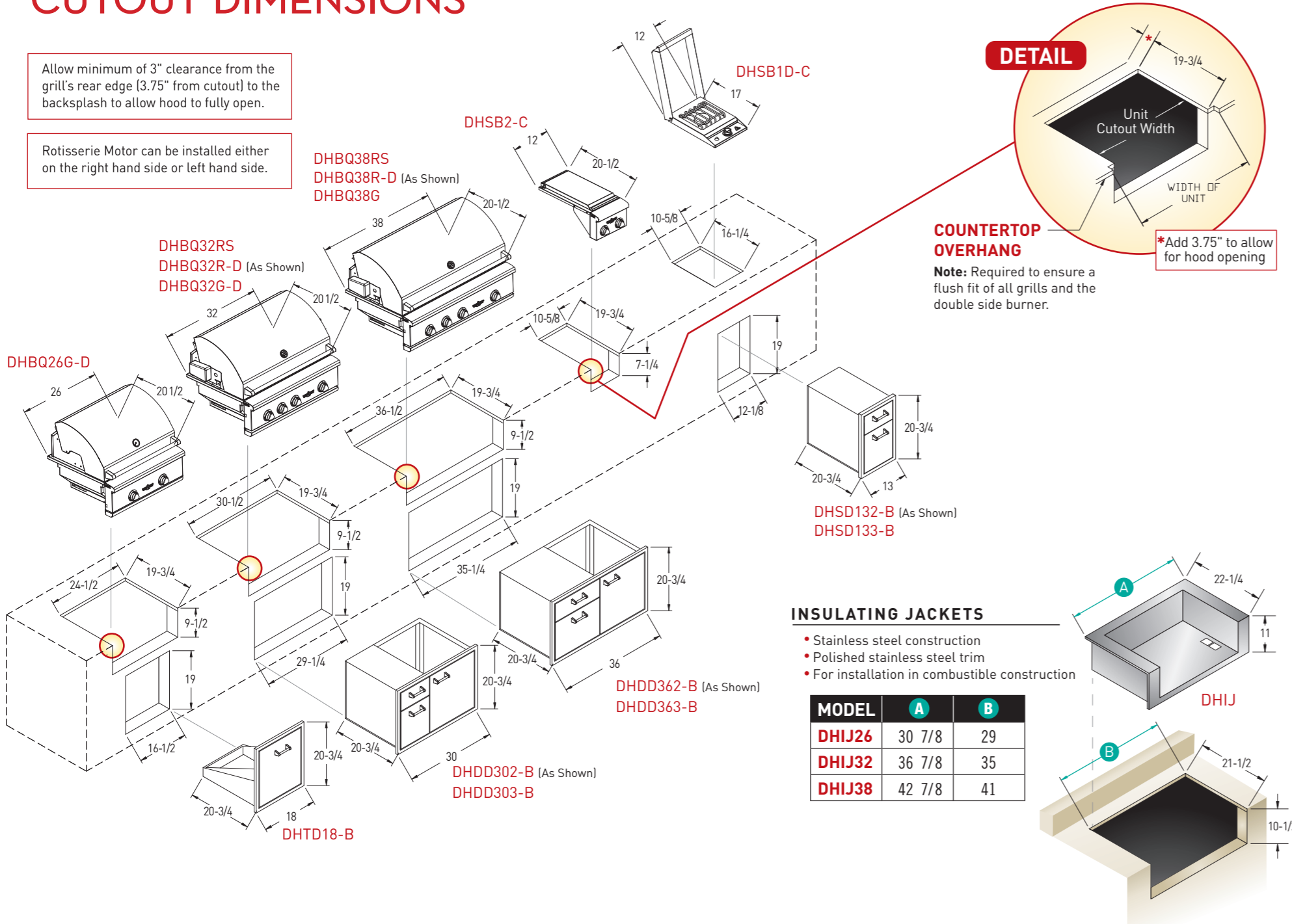


DHPB26-C | 26" GRILL BASE

CUTOUT DIMENSIONS

Allow minimum of 3" clearance from the grill's rear edge (3.75" from cutout) to the backsplash to allow hood to fully open.

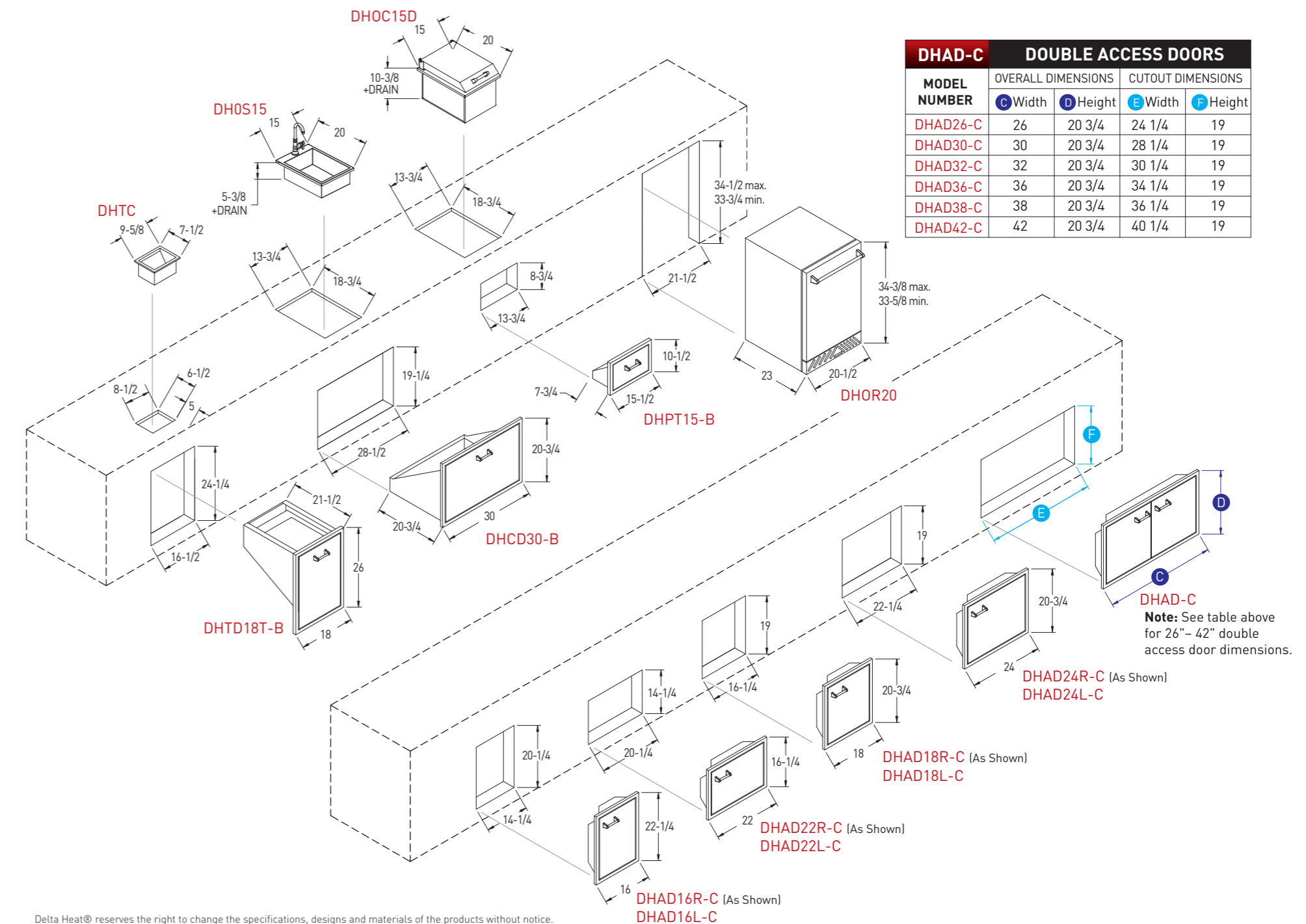
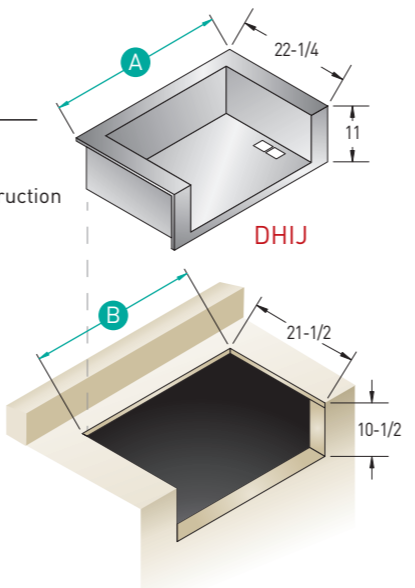
Rotisserie Motor can be installed either on the right hand side or left hand side.



INSULATING JACKETS

- Stainless steel construction
- Polished stainless steel trim
- For installation in combustible construction

MODEL	A	B
DHIJ26	30 7/8	29
DHIJ32	36 7/8	35
DHIJ38	42 7/8	41



Delta Heat® reserves the right to change the specifications, designs and materials of the products without notice. Please verify the specifications prior to finalizing your enclosures.

Delta Heat products are engineered, designed and manufactured by the industry leading premium grill and outdoor kitchen equipment experts – Twin Eagles, Inc.

Creative design, innovative engineering, precision manufacturing, and impeccable quality control – all under one roof!

Twin Eagles develops, from design prototyping to testing to final production, gas grills and outdoor kitchen accessories at their state-of-the-art company owned facility in Cerritos, California. The Twin Eagles family consists of passionate, highly trained designers, engineers and skilled craftsmen.



DELTA HEAT®
13259 EAST 166TH STREET, CERRITOS, CA 90703 | 800 422-0091

WWW.DELTAHEAT.COM



©2019 DELTA HEAT. ALL RIGHTS RESERVED.

PN 18619D 01/19