

**FIREPLACE**  
**XTRORDINAIR**



# The Right Fireplace Company For You

*"For over forty years, we have been passionate about the science and art behind making beautiful fireplaces for homes in North America. We utilize the finest materials and subject them to vigorous testing standards to make a fireplace that stands up to the rigors of time.*

*Fireplace Xtrordinair® fireplaces are the best money can buy. We have a worldwide reputation for award-winning innovations in fireplace design, and yet the most significant recognition to me is when a family entrusts us to be their fireplace of choice.*

*Take your time, enjoy looking through this catalog and keep the home fires burning."*



A white, cursive signature of Kurt W. F. Rumens, written over a dark background.

Kurt W. F. Rumens,  
President & Director of Product Design  
Travis Industries, House of Fire



Cover Image: ProBuilder 72 Deluxe shown with the Black Glass Fireback, Bronze Glass Media, and Tumbled Stones Fyre-Art™.



## The Perfect Balance of Beauty and Function

The ProBuilder Series™ of Linear Gas Fireplaces are the perfect choice for anyone seeking a beautiful, reliable and economical way to heat their home. With the ProBuilder Series™, you get more heat for less; that's more features and benefits than any other value-priced linear gas fireplace available, plus heavy duty construction and quality craftsmanship to ensure years of dependable warmth.

The ProBuilder Linear Series™ features three fireplace sizes. Each size is available in your choice of GreenSmart® Basic (GSB) or fully-loaded GreenSmart® Deluxe models, allowing you to choose the option best suited for your individual taste and lifestyle.

### ProBuilder Linear GSB Models

The GreenSmart® Basic (GSB) models are an excellent energy-efficient choice. These models conserve fuel with a GreenSmart® pilot system that automatically lights the fireplace when heat is called for, and turns off the fireplace (including the pilot) when no heat is needed. See page 14 for more information.

### ProBuilder Linear Deluxe Models

As the name "Deluxe" implies, these are full-feature GreenSmart® models that come standard with enhanced features like the multi-function GreenSmart® Remote, Under-lit Accent Lighting, and quiet convection fans. Learn more on page 15.



*This ProBuilder 54 Deluxe is shown with the Black Glass Fireback, Platinum Glass Media, and Birch Logs Fyre-Art™.*





## 42" Linear Gas Fireplace

### Urban Artistry

The ProBuilder 42 Linear is the smallest fireplace in our lineup, featuring 42" wide by 15" tall glass. This fireplace is ideal for providing warmth to cozy, intimate spaces such as bedrooms and family rooms. This tranquil fireplace offers a variety of beautiful styling choices, along with optional accessories like the CoolSmart TV Wall Kit. Learn more on pages 10-15.

- Heating Capacity\*: Up to 1,250 Sq. Ft.
- BTU/Hr. Input (NG/LP): 13,000 to 25,000 (50% turndown)
- P4 Efficiency: GSB: 65.74% (NG), 66.88% (LP)  
Deluxe: 65.74% (NG), 66.88% (LP)
- Steady State Efficiency Up to 76.11% (NG), Up to 77.31% (LP)
- Weight: 165 lbs. (75 kg).
- Viewing Area: Tempered Glass - 40-3/4" W x 13-3/4" T

*\*Heating capacity will vary with floor plan, insulation, and outside temperature.*

*This ProBuilder 42 Deluxe is shown with Bronze Glass Media and Tumbled Stones Fyre-Art™.*





## 54" Linear Gas Fireplace Natural Wonder

Representing our medium-sized fireplace, the ProBuilder 54 Linear features 54" wide by 15" tall glass. This fireplace is a great choice for heating large individual rooms and mid-sized entertainment spaces. The ProBuilder 54 Linear can be completely customized to complement your personal taste and lifestyle by selecting whichever model and design choices you'd like! Visit pages 10-15 for more information.

- Heating Capacity\*: Up to 1,650 Sq. Ft.
- BTU/Hr Input (NG/LP): 17,000 to 33,000 (50% turndown)
- P4 Efficiency: GSB: 65.93% (NG), 67.07% (LP)  
Deluxe: 65.93% (NG), 67.07% (LP)
- Steady State Efficiency: Up to 67.25% (NG), Up to 76.02% (LP)
- Weight: 210 lbs. (95 kg).
- Viewing Area: Tempered Glass - 52-3/4" W x 13-3/4" T

*\*Heating capacity will vary with floor plan, insulation, and outside temperature*

*This ProBuilder 54 Deluxe is shown with Black Glass Media and Driftwood Fyre-Art™.*









## 72" Linear Gas Fireplace

### **Boldly Understated**

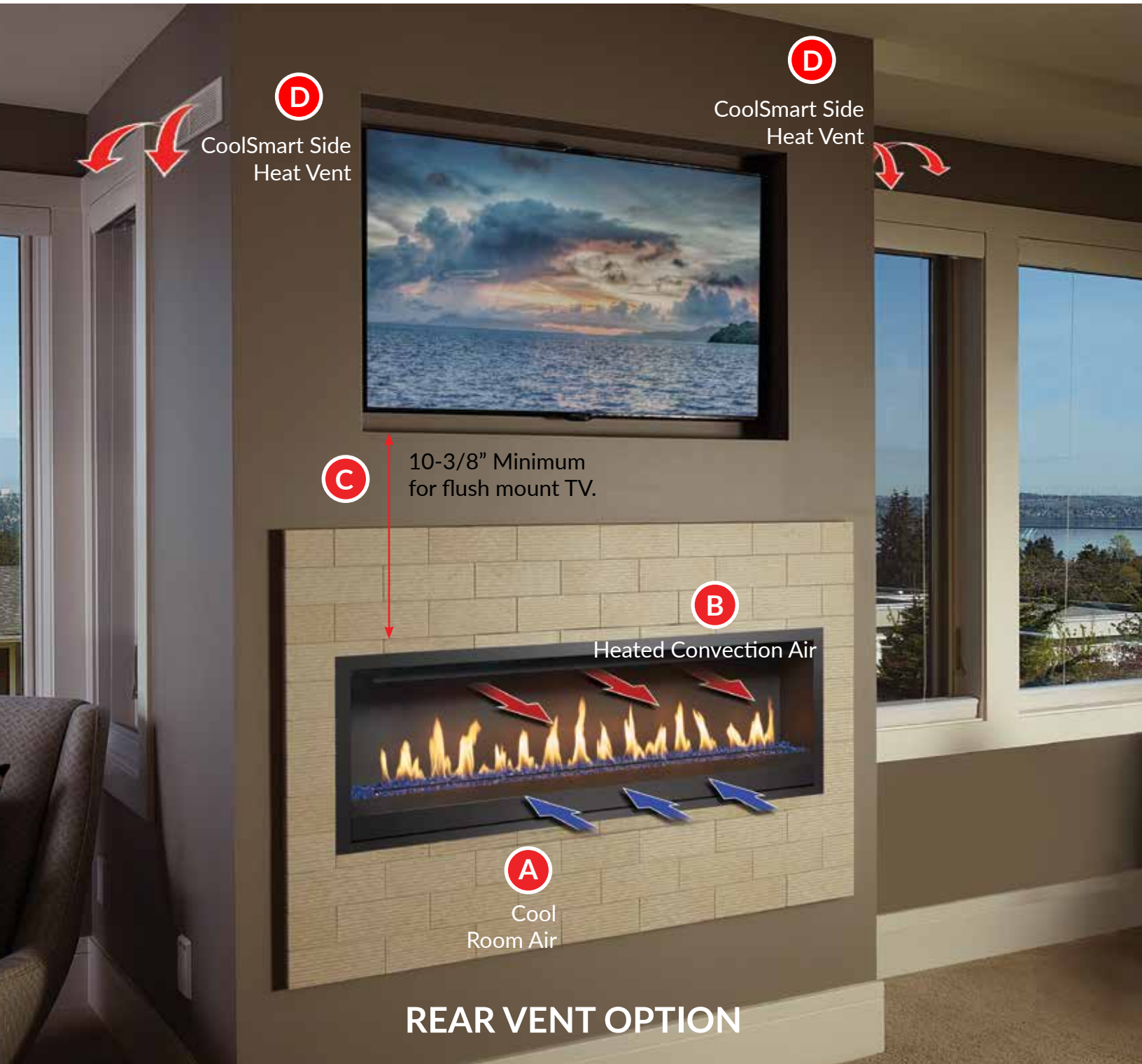
Large rooms and grand spaces ready for a dynamic statement are perfectly suited for the impressive ProBuilder 72 Linear. This showstopper features a long line of tall, dancing flames and a stunning display of fire, with its 72" wide x 15" tall glass. This fireplace exemplifies modern luxury at an affordable price tag! Learn more about the features and options available for the ProBuilder 72 Linear on pages 10-15.

- Heating Capacity\*: Up to 2,250 Sq. Ft.
- BTU/Hr. Input (NG/LP): 23,000 to 45,000 (50% turndown)
- P4 Efficiency: GSB: 68% (NG), 66.23% (LP)  
Deluxe: 68% (NG), 66.23% (LP)
- Steady State Efficiency: Up to 73.34 (NG)      Up to 75.80 (LP)
- Weight: 275 lbs. (125 kg).
- Viewing Area: Tempered Glass - 70-3/4" W x 13-3/4" T

*\*Heating capacity will vary with floor plan, insulation, and outside temperature.*

*This ProBuilder 72 GSB is shown with Bronze Glass Media, Tumbled Stones Fyre-Art™, and optional Under-Lit Accent Lights.*

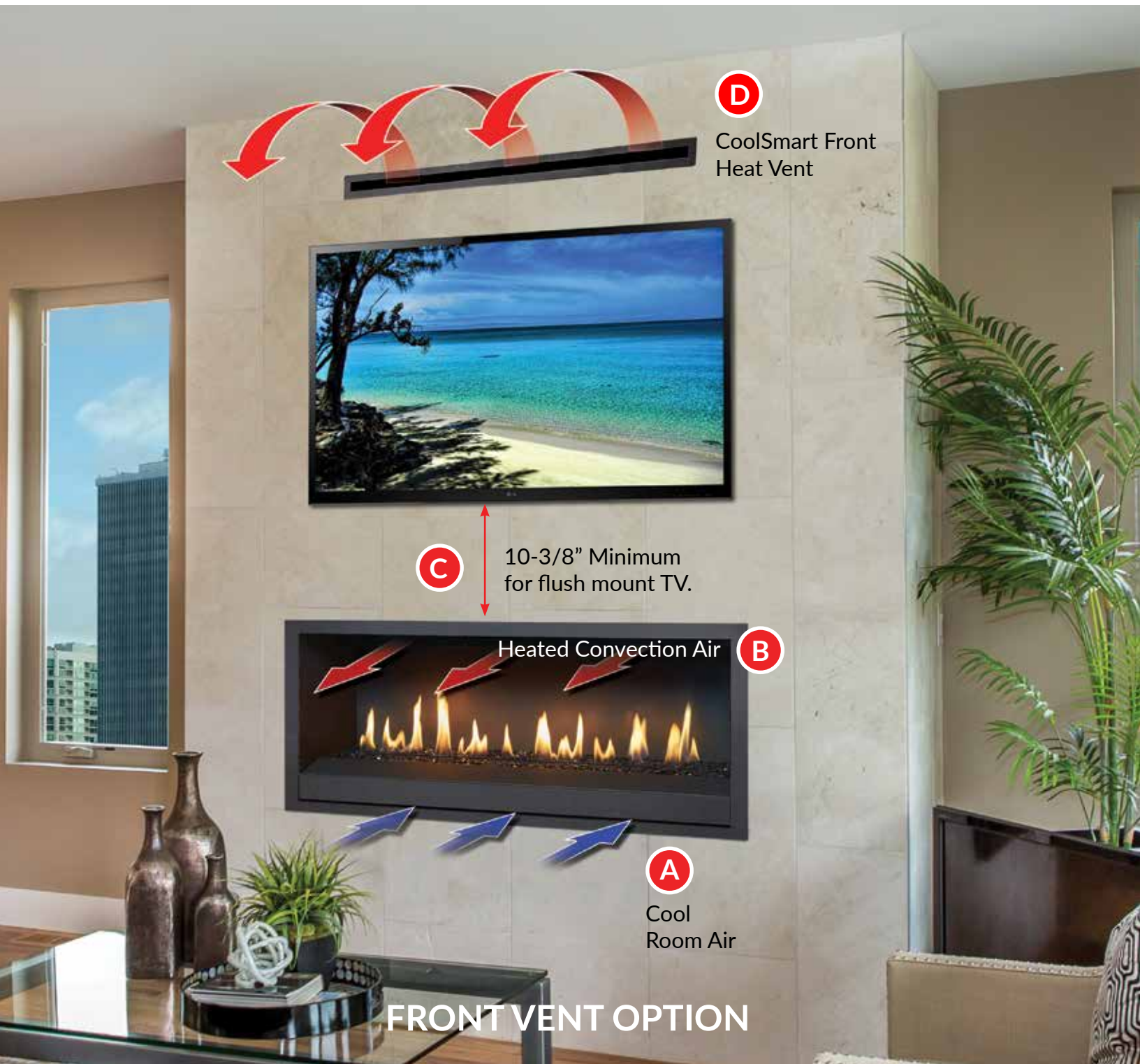
# Safely Add a TV Above Your Linear Fireplace



- A** Cool room air is naturally pulled into the bottom of the convection chamber surrounding the firebox.
- B** If the convection fan is turned on, the heated air is returned to the room above the fireviewing glass.



## With the Optional CoolSmart TV Wall™ Kit



- C** The CoolSmart TV Wall™ Kit allows a TV to be safely installed above the fireplace, either flush or recessed up to 4-1/4" into the wall.
- D** If the fan is turned off, cool room air and the majority of the heated convection air are naturally drawn up through the CoolSmart Heat Vent(s) and returned to the room above the TV. This reduces the height the TV needs to be installed above the fireplace.



*This ProBuilder 54 Deluxe is shown with Platinum Glass Media and Twigs & Stones Fyre-Art™.*



## MEDIA CHOICES



Black Glass



Platinum Glass



Bronze Glass



Cobalt Glass



Rock Embers

## OPTIONAL FYRE-ART™



Tumbled Stones Fyre-Art™



Twigs & Stones Fyre-Art™



Driftwood Logs Fyre-Art™



Traditional Logs Fyre-Art™



Birch Logs Fyre-Art™



## OPTIONAL FIREBACKS



Black Glass



Ledgestone



**ProBuilder Linear GSB Models**  
*Features an economical electronic ignition system.*

**Standard Features**

- On Demand Standing Pilot or Basic GreenSmart® Ignition Modes
- 110 V Power Required, Built-in Automatic Battery Backup
- ON/OFF Wall Switch
- Easy Access Controls



Access controls are below previewing glass. Contains Flame Height Adjustment, Choice of Continuous Pilot Mode or GreenSmart® Ignition Mode and Burner ON/OFF.

**Optional Accessories**

**Basic GreenSmart® Wireless Thermostat Remote Control**



- Manual ON/OFF Controls
- Thermostat Controls. Fireplace turns ON/OFF to maintain your desired home/room temperature.

**Convection Fan**

Variable speed 180 CFM\* Fan helps increase the natural convection of heated air into the room as it circulates around the firebox and glass frame. Fan is manually controlled by a rheostat.

\* Cubic Feet Per Minute



**Wired Wall Timer**

Countdown wall timer allows you to set the shut off time of your fireplace in 30 minute increments with two hour maximum time limit. Ideal for rentals, apartments, and commercial applications.

**Accent Lights**

This feature adds a warm glow below the glass floor media and can be used when the fire is on or off.







## ProBuilder Linear Deluxe Models

*Includes a combination of incredible exclusive features.*

### Standard Features

- On Demand Standing Pilot or GreenSmart® Ignition Modes
- Under-lit Accent Lighting
- 110 V Power Required, Built-in Automatic Battery Backup
- 180 CFM Variable Speed Convection Fan
- All Functions Are Controlled From the GreenSmart® Remote

### Standard GreenSmart® Multi-Function Wireless Thermostat Remote Control



- Manual ON/OFF Controls
- Thermostat and Smart Thermostat Modes
- Flame Adjustment (6 Levels)
- Change Between GreenSmart® and Continuous Pilot Modes
- Fan Operation
- Under-lit Accent Lights

### GreenSmart® Multi-Function Controls



#### Flame Adjustment

Adjust the height/heat of the flame. 6 levels of flame heights to choose from in manual mode.



#### Convection Fan

Circulate room air around the firebox and deliver heated air into your home. Six speeds to choose from.



#### Accent Lights

Accent Lights are a standard feature in all Deluxe fireplaces. This feature adds a warm glow below the glass floor media and can be used when the fire is on or off.

### Three Ways To Operate

#### Manual

ON/OFF and all other features.

#### Thermostat

Fireplace turns ON or OFF to maintain your desired home/room temperature.

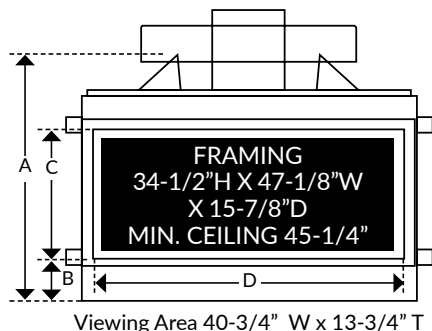
#### Smart Thermostat

Fire height will adjust automatically (up, down or OFF) to maintain your temperature while allowing you to view the fire more often. A greener way to heat.

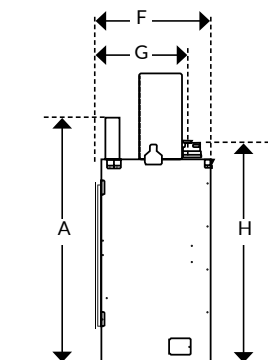
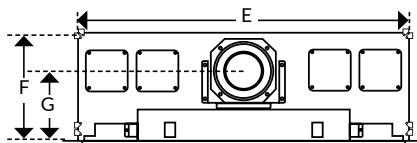
# INSTALLATION without CoolSmart TV Wall™ Kit Option

**NOTE: ALWAYS REFER TO THE PRODUCT OWNER'S MANUAL FOR COMPLETE INSTALLATION INSTRUCTIONS. FAILURE TO DO SO CAN RESULT IN VOIDING OF THE WARRANTY AND PRESENT A POTENTIAL SAFETY HAZARD! MANUAL CAN BE FOUND AT WWW.FIREPLACEX.COM**

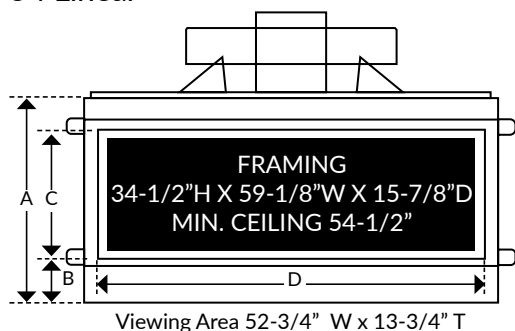
## 42 Linear



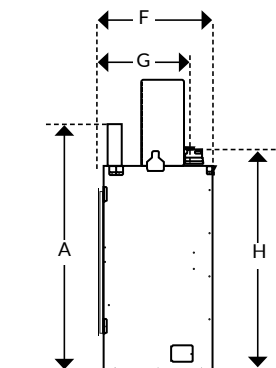
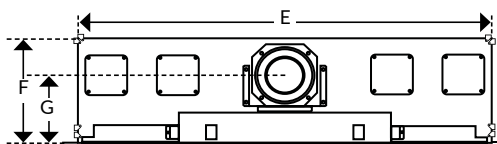
- A - 34-1/2"(877 mm)
- B - 4-7/8"(124 mm)
- C - 20-1/2"(521 mm)
- D - 45-3/4"(1163 mm)
- E - 47-1/8"(1197 mm)
- F - 15-7/8"(404 mm)
- G - 9-3/4"(248 mm)
- H - 31" (788 mm)



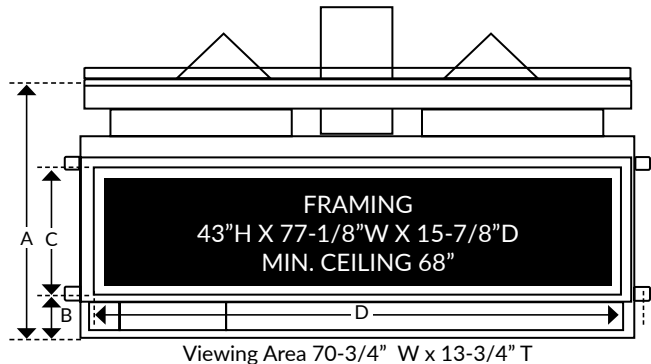
## 54 Linear



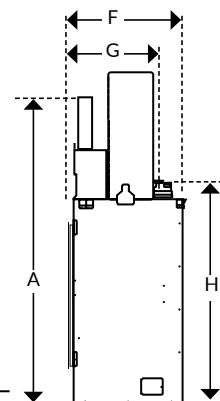
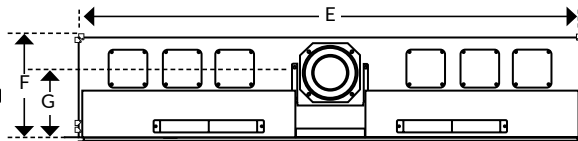
- A - 34-1/2"(877 mm)
- B - 4-7/8"(124 mm)
- C - 20-1/2"(521 mm)
- D - 57-3/4"(1467 mm)
- E - 59-1/8"(1502 mm)
- F - 15-7/8"(404 mm)
- G - 9-3/4"(248 mm)
- H - 31" (788 mm)



## 72 Linear



- A - 43"(1092 mm)
- B - 4-7/8"(124 mm)
- C - 20-1/2"(521 mm)
- D - 75-3/4"(1924 mm)
- E - 77-1/8"(1959 mm)
- F - 15-7/8"(404 mm)
- G - 9-3/4"(248 mm)
- H - 31" (788 mm)



## Warranty

Your gas fireplace is backed by a network of Specialty Hearth Dealers and certified factory trained installers. Fireplace Xtrordinair® warrants our products to be free from defects in material and workmanship for a period up to seven years from the date of purchase. All parts, electronics (except light bulbs), and labor are covered for a full two years. Trims are covered for a period of two years. No other manufacturer's warranty can compare.

Tested and List by Omni-Test Laboratories, Inc. Portland, Oregon to ANSI Z21.88-2016 CSA 2.33-2016



Manufactured by Travis Industries, Inc.  
Mukilteo, WA

See our complete line of fireplaces  
online: [fireplacex.com](http://fireplacex.com)

