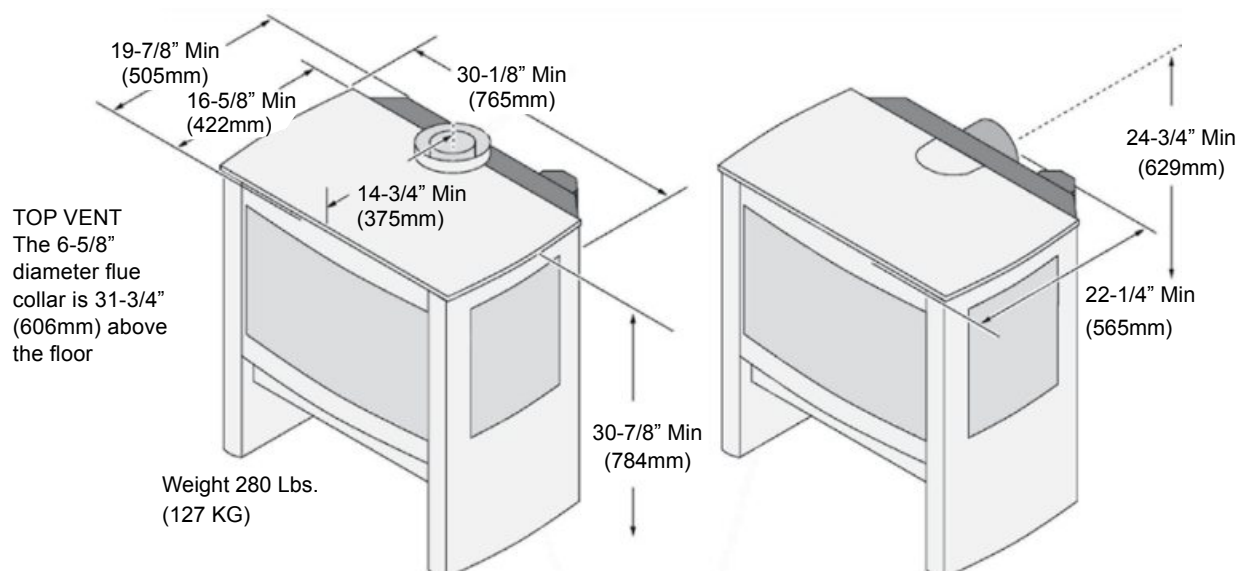


CYPRESS™ DELUXE GAS STOVE BY LOPI®

| | | | | |
|--|--|--|--|---|
| Maximum BTU Input/Hr. 40,000 (NG & LP) | Minimum BTU Input/Hr. 11,900 (NG) 7,400 (LP) | Heating Capacity* Up to 2,000 sq. ft. with fan | Steady State Efficiency on High** Up to 79.05% NG & Up to 81.79 LP | P4.1 Efficiency Up to 70.37% NG Up to 71.95% LP |
|--|--|--|--|---|

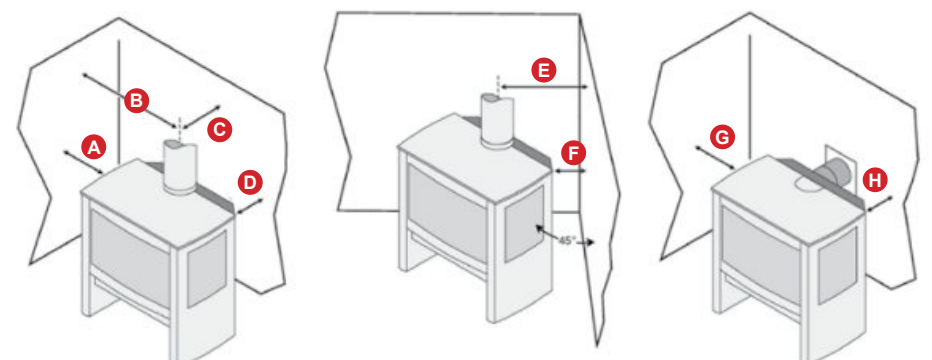
* Gas appliance performance can be affected by negative pressure in the home and by prevailing atmospheric conditions. Contact local building or fire officials about restrictions and installation requirements in your area. Heating capacity shown with blower on. ** Your results may vary depending on your vent configuration.

INSTALLATION Always refer to the Owner's Manual for installation requirements!



STOVE CLEARANCES TO COMBUSTIBLES

Straight Wall Installation **Corner Installation** **Rear Vent Installation**



- A = Side Wall To Unit 10" (254mm)
- B = Side Wall To Flue Center 25-1/8" (638mm)
- C = Back Wall To Flue Center 6-7/8" (175mm)
- D = Back Wall To Unit 5" (127mm)
- E = Wall To Flue Center 16-1/2" (420mm)
- F = Wall To Unit 5" (127mm)
- G = Side Wall To Unit 10" (254mm)
- H = Back Wall To Unit 8-1/4" (210mm)

LISTINGS APPROVAL'S This appliance was listed by Omni Test Labs to ANSI Z21.88 CSA 2.33 - Report # 0028GH106S. Approved to Massachusetts Board of State Examiners of Plumbers and Gas Fitters.

MOBILE HOME REQUIREMENTS When the stove is installed in a mobile home, it must be bolted to the floor and the appliance grounded (use the optional blower with a grounded circuit or other suitable grounding method - current ANSI/NFPA 70 or CSA C22.1).

VENTING:

TOP VENT: Use 6-5/8" (168mm) Simpson Dura-Vent Direct Vent Pro (or GS). Always use the high-wind cap # 46DVA-VCH or 46DVA-CH.

REAR VENT: Use 8" (204mm) Simpson Dura-Vent Direct Vent Pro (or GS) with one of the following:
WITH NO VENT RISE: Use T. I. Minimum Vent Kit D #96200317.
WITH VENT RISE: Use T. I. Rear Vent Conversion (Part # 94400998). Always use the high wind cap # 58DVA-VCH or 58DVA-CH.

FLOOR PROTECTION REQUIREMENTS

When the stove is installed directly on carpeting, vinyl or other combustible material other than wood flooring or a high pressure laminate wood floor, the stove must be installed on a metal or wood protection panel extending the full width and depth of the heater (Suggested Minimum Pad Size: 32" wide by 20" deep).

YOUR AUTHORIZED LOPI® DEALER IS LOCATED AT:



www.lopistoves.com



Lopi® Stoves and Fireplace Inserts are manufactured by Travis Industries, Inc., Mukilteo, WA. We reserve the right to change and improve our product at any time without prior notification. Please refer to the Owner's Installation Manual for complete installation requirements. Photos and illustrations are for descriptive purposes only. Lopli® Gas Stoves are protected by one or more of the following patents; U.S. 8,469,021, 7,066,170, 6,602,068, 6,443,726, 6,953,037; Canada 2755517 as well as other U.S. and Foreign Patents Pending. © Copyright T. I. 12/2018 Printed in the USA 98800518

CYPRESS™ DELUXE GAS STOVE



FEATURING GREENSMART® TECHNOLOGY

CYPRESS™ DELUXE GAS STOVE BY LOPI®

VIEW YOUR FIRE FROM ANYWHERE IN THE ROOM

The Cypress™ offers a unique and timeless presentation of fire, with clean lines and sleek styling. This stove features an open, three-sided design with a large wrap-around ceramic glass fire viewing area, allowing you to enjoy the beauty of the fire from any angle in the room. The standard overhead accent lighting enhances the fire display even more, providing a warm glow that can be enjoyed with or without the flames on.

DESIGNED TO EFFICIENTLY HEAT YOUR HOME

The Cypress™ is designed to heat up to 2,000 square feet. With an input of 40,000 BTUs, the GreenSmart® gas control system delivers exceptional energy efficiency and heat control. The Cypress™ features a turndown ratio of up to 70%(NG) and 82%(LP), allowing for precise control over the amount of heat you use and offering year-round enjoyment.

RADIANT AND CONVECTIVE HEATING

The Cypress™ is designed to provide both comforting radiant heat and excellent natural convection. Radiant energy is the cozy, satisfying warmth you can actually feel from any source of heat, such as sitting in front of a campfire or soaking up the rays of the sun. Natural convection occurs as room air in the convection chamber is heated and rises, drawing cooler room air into the chamber. This creates a process that gently and continuously circulates warm air throughout the room.



FEATURES YOU ARE GOING TO LOVE

- Three-sided fire view - Glass viewing area, 749 sq. in.
Front glass: 16-3/16" H x 26-1/4" W
Side glass: 15 3/16" H x 10-9/16" W
- The award winning Ember-Fyre® burner. This stunning burner won the **Popular Science** "Best of What's New" Award for its incredibly realistic high definition logs and glowing embers. You'll think you were looking at a real wood fire!
- Easy heat/flame adjustment with a huge turndown ratio of up to 70% (NG) 82% (LP).
- Comfort Control™ allows you to turn off the rear burner while maintaining the flames of the front burner when less heat is desired.
- Built-in battery backup allows the stove to be used during power outages.
- ANSI compliant low visibility safety screen.
- Choice of pilot ignition modes - Choose GreenSmart® IPI setting to save money, or Continuous Pilot for colder climates where a heated chimney is needed to maintain the draft to ensure proper operation and lower condensation build-up on the glass.
- The standard accent light adds a warm glow to the fire display, whether your fire is on or off. This adjustable light is perfect as a night light or as a soft, indirect accent light for the room.
- The standard 165 CFM Fan is designed to enhance the transfer of the natural radiant heat and move the convective heat from the stove more efficiently into your home.
- Enhance the interior of the firebox with the optional reflective Black Enamel Fireback.



REVOLUTIONARY GREENSMART® SYSTEM

The Cypress™ features the latest in energy-efficient gas technology, the GreenSmart® system. GreenSmart® allows the Cypress™ to heat your home with optimum performance, while saving on energy usage and lowering your heating bills.

GREENSMART® REMOTE

The Cypress™ comes standard with the wall mounted GreenSmart® Remote Control. This easy-to-use remote gives you the ability to control virtually every function of your stove. It even allows you to run your stove in MANUAL or THERMOSTAT modes, along with energy saving "SMART" mode that automatically modulates the flame and heat to accommodate your desired temperature without shutting the stove off.



Scan this QR Code to watch a video on how the GreenSmart® remote works.

FLEXIBLE INSTALLATION OPTIONS

The Cypress™ features direct vent technology which is a dual chamber chimney; one chamber for exhaust gases, the other supplies fresh outdoor combustion air to the stove. The Cypress™ is approved to be vented vertically or horizontally, adding location flexibility and in many cases lowering installation costs. You can even install the Cypress™ on a hearth in front of an existing fireplace and vent it up the chimney.

Lopi® offers a minimum rear vent kit for installations through the wall and a 30' flex vent kit for hearth installations.

The Cypress™ does not require a hearth pad in many installations, including on wood flooring. This stove is approved for close clearances to the back wall without an expensive heat shield. The low temperature of the Cypress™ gas stove's back wall saves valuable floor space and eliminates the requirement for expensive non-combustible wall protection.

