
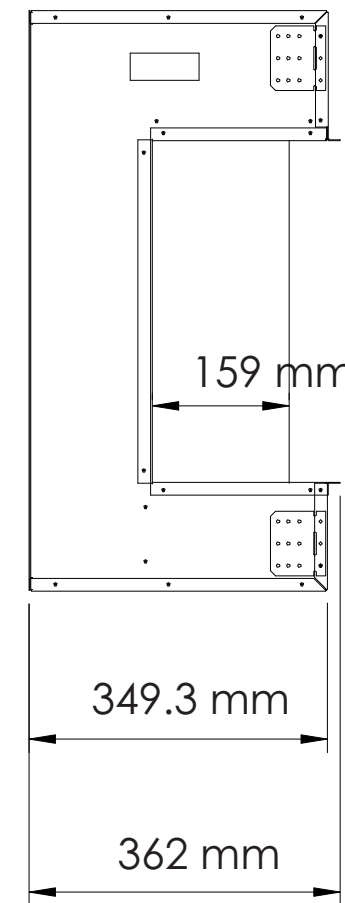
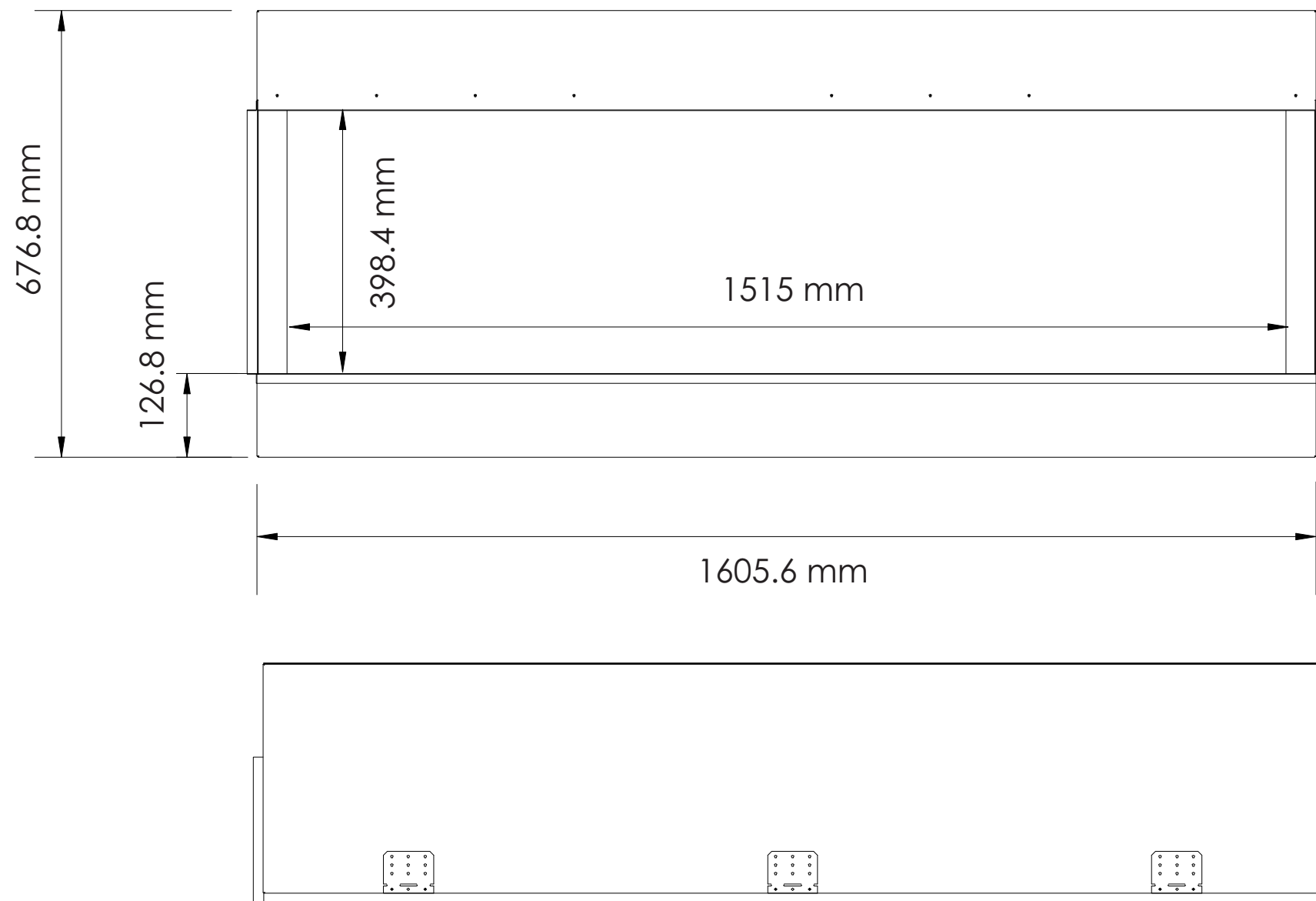



TECHNICAL SPECIFICATIONS		
VOLTS	120	
AMPS	12.5	
WATTS	1500	
HEATER	HIGH	1500 watts
	LOW	750 watts
NO HEATER	25 watts	
LAMPS	QUANTITY	LED
	WATTS	
	TOTAL WATTS	22 watts
ROTOR MOTOR	1 at 5 watts	
HEIGHT, WIDTH, DEPTH	26 5/8 x 63 1/4 x 14 1/4"	
GLASS VIEWING OPENING	15 5/8" x 59 5/8"	
SURROUND SIZE	No Surround	
SHIPPING SIZE	32 1/2" x 70 1/2" x 16"	
SHIPPING WEIGHT		161 lbs
	UNIT	127 lbs
	GLASS FRONT	Included
PLUG LOCATION	Left Side	
CORD LENGTH	70 7/8"	
APPROX. HEATING AREA	400 sq ft	




SERIES BUILT IN	MODEL 60-TRU-VIEW-XL		REV 1
SCALE 1" = 1'-0"	DATE: 9/1/2016		SHEET 1 OF 1



TECHNICAL SPECIFICATIONS		
VOLTS	120	
AMPS	12.5	
WATTS	1500	
HEATER	HIGH	1500 watts
	LOW	750 watts
NO HEATER		22 watts
LAMPS	QUANTITY	LED
	WATTS	
	TOTAL WATTS	22 watts
ROTOR MOTOR		1 at 5 watts
HEIGHT, WIDTH, DEPTH	68 x 161 x 36.2 cm	
GLASS VIEWING OPENING	39.8 x 151.5 cm	
SURROUND SIZE	No Surround	
SHIPPING SIZE	33 x 179 x 41 cm	
SHIPPING WEIGHT		73 kg
	UNIT	58 kg
GLASS FRONT	Included	
PLUG LOCATION	Left Side	
CORD LENGTH	193 cm	
APPROX. HEATING AREA	37 sqm	



SERIES BUILT IN	MODEL 60-TRU-VIEW-XL		REV 1
SCALE 1:12	DATE: 9/1/2016	SHEET 1 OF 1	