

P-Series Pellet Stoves & Insert



HARMAN[®]
BUILT TO A STANDARD, NOT A PRICE

Harman P-Series stoves and inserts are a true testament to engineering excellence and heating performance. These customizable units create a striking statement in your living space, blending sharp lines and mechanical flair with the elegant design of your home. Multiple sizes allow for seamless integration into any room, while efficiently heating spaces and adding an unexpected eye-catching element.



Cover: P68 shown with optional modern brushed stainless trim, brushed stainless air grille, trail rider slate inlay and black heat shields with brushed stainless accent

Right: P43 shown standard



Features

- Quiet, variable-speed blower
- Cleaner glass thanks to exclusive air wash system
- High efficiencies with accordion heat exchanger
- Room temperature regulated to within one degree
- Less maintenance with large ash pan
- Elegant flame-reactive mirrored glass
- Installation made easy by direct vent
- EPA certified

Options

- Harman Protect Cast Iron Hearth Pad (matte black only)
- Modern brushed stainless, brushed stainless leaf or bright nickel leaf trim
- Decorative deer slate, trail riders slate or deer brushed stainless ash door inlay options
- Matte black, or matte black with brushed stainless accent side heat shields
- Ceramic log set
- 60lb hopper extension
- Outside air kit
- Direct vent wall pass-through

Ash door inlay options



Deer slate



Trail riders slate



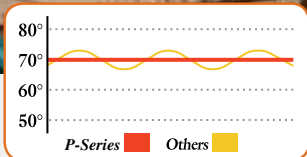
Deer brushed stainless



Key Technologies More than 35 years of engineering excellence and heating performance, distilled into these exclusive technologies.



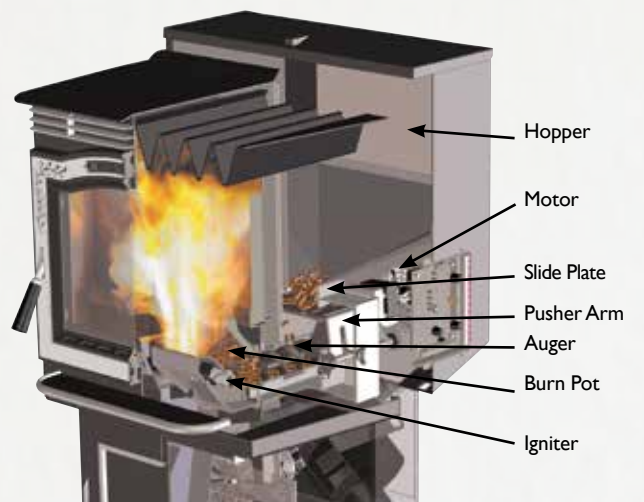
ESP Temperature Control Harman pellet stoves utilize an Exhaust Sensing Probe system (ESP) to deliver precise heat control. ESP constantly monitors and adjusts heat output to maintain set room temperatures within one degree.



ESP Temperature Control helps maintain a consistent room temperature.



PelletPro™ Technology This patented system makes it possible to burn any grade of pellet fuel with maximum heat and efficiency. A bottom-up feed system burns each pellet completely and allows for 24-hour heating.





P43 Pellet Stove

The P43 packs performance and engineering excellence into a small steel package. Use this alternative option to supplement your heat source, reduce home heating bills and embrace the power of the pellet. Intricate cast iron door styling and uncompromising construction offers a distinctive design statement in any room - while advanced technology is at work behind the scenes.

P43 shown standard



P61A Pellet Stove

The P61A is an efficient, pellet-burning machine. It is loaded with exclusive technologies to deliver powerful heat with an impressive, money-saving efficiency. A solid steel frame and traditional cast iron door styling provides a stoic look in any home. Make it your own with unique finishing and installation options.

P61A shown with optional brushed stainless leaf trim, brushed stainless air grille, and deer slate inlay



P68 Pellet Stove

The P68 harnesses the world-class engineering of Harman to deliver unmatched performance. This home heating powerhouse produces up to 71,200 BTUs – enough to fill the largest of spaces with warmth. Smart controls with hassle-free operation make this eco-friendly hearth an unmatched leader in pellet-heating technology.

P68 shown with optional modern brushed stainless trim, brushed stainless air grille, black side heat shields with brushed stainless accents, and trail riders slate inlay



P35i Pellet Insert

The P35i pellet insert delivers amazing efficiency in a compact design. Unique engineering, paired with world-class technology takes this eco-friendly heating option to the next level. Low emissions and 38,400 BTUs of even heat make it an ideal solution for smaller spaces. This direct vent insert can be installed without a chimney, and nearly anywhere in a home.

P35i shown with optional leaf brushed stainless trim and standard surround

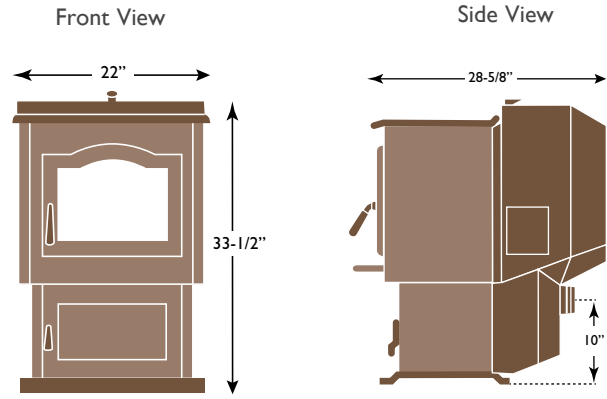


An optional service rail kit makes it easy to install and perform maintenance.

P-Series Specifications and Clearances

P43 Pellet Stove

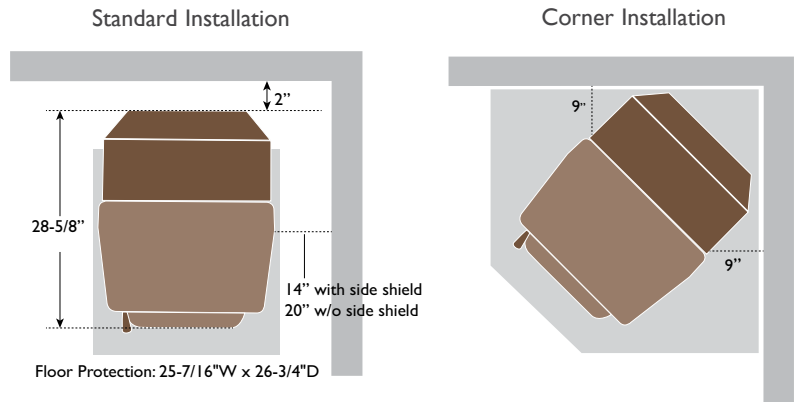
BTU/Hr Input¹..... 17,200-42,500
 Efficiency².....78.0%
 Emissions..... 1.3g/hr
 Heating Capacity³.....800-2,400 sq ft
 Hopper Capacity.....50lbs
 Fuel Type.....Pellet
 Feed Rate.....1.9-4.7lb/hr
 Venting Size.....3"



Clearance to Combustibles

Minimum Floor Protection

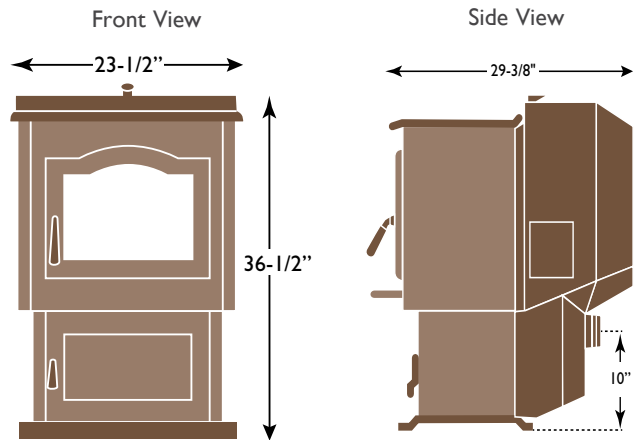
Standard.....25-7/16"W x 26-3/4"D



P43: tested by OMNI: ASTM E1509-2004, ULC/ORD-C1482-M1990, (UM) 84-HUD, OAR 814-23-900 through 814-23-909, Mobile Home Approved

P61A Pellet Stove

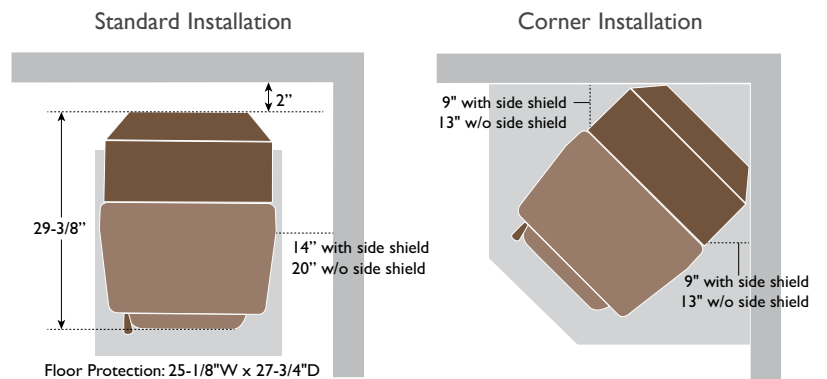
BTU/Hr Input¹..... 14,200-60,300
 Efficiency².....79.4%
 Emissions..... 1.7g/hr
 Heating Capacity³..... 1,300-3,500 sq ft
 Hopper Capacity.....72lbs
 Fuel Type.....Pellet
 Feed Rate.....1.5-6.6lb/hr
 Venting Size.....3"



Clearance to Combustibles

Minimum Floor Protection

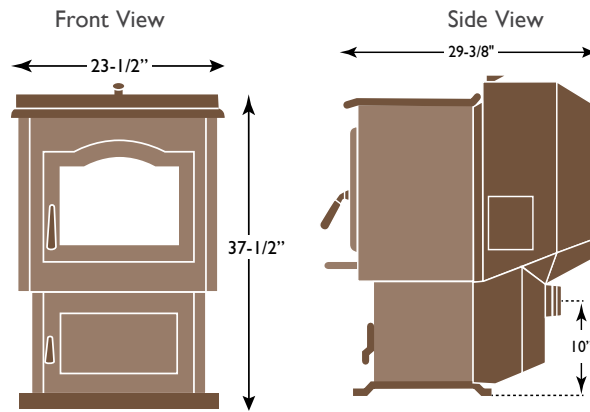
Standard.....25-1/8"W x 27-3/4"D



P61A: tested by OMNI: ASTM E1509-04, ULC/ORD C1482-M1990, ULC S627-00, Mobile Home Approved

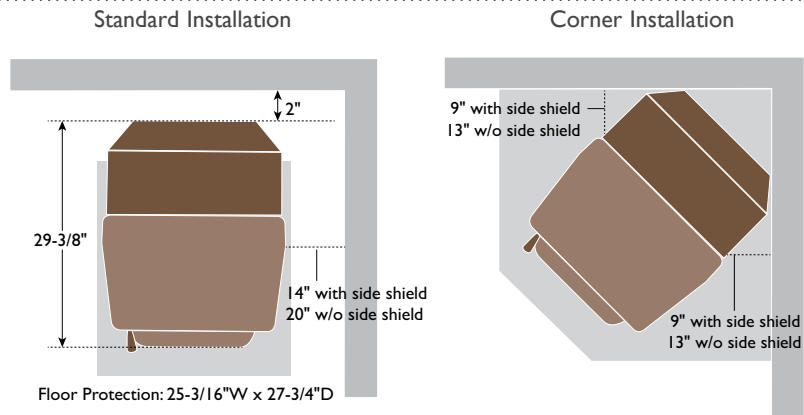
P68 Pellet Stove

BTU/Hr Input¹..... 15,800-71,200
 Efficiency².....78.5%
 Emissions..... 1.3g/hr
 Heating Capacity³..... 1,500-3,900 sq ft
 Hopper Capacity.....76lbs
 Fuel Type.....Pellet
 Feed Rate.....1.7-7.8lb/hr
 Venting Size.....3"



Clearance to Combustibles

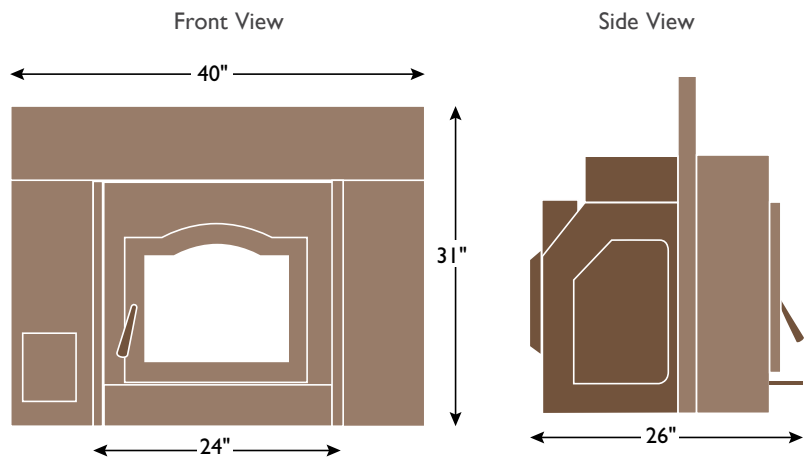
Minimum Floor Protection
 Standard.....25-3/16"W x 27-3/4"D



P68: tested by OMNI: ASTM E1509-04, ULC C1482-M1990, ULC S627-00, OAR 814-23-900 through 814-23-909, Mobile Home Approved

P35i Pellet Stove

BTU/Hr Input¹..... 12,800-38,400
 Efficiency².....78.0%
 Emissions..... 1.5g/hr
 Heating Capacity³.....800-2,100 sq ft
 Hopper Capacity.....23-1/2"=62lbs; 19-1/2"=41-1/2lbs
 Fuel Type.....Pellet
 Feed Rate.....1.4-4.2lb/hr
 Venting Size.....4"



Clearance to Combustibles

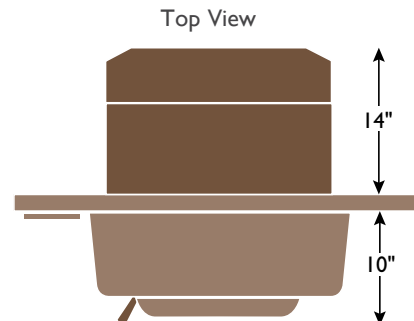
Side wing to trim..... 1"
 Front hearth protection..... 6"
 Top of insert to mantel trim or ledge..... 12"

Surround Sizes

Standard.....40"W x 31"H x 1-3/4"D
 Large.....46"W x 34"H x 1-3/4"D

Zero Clearance Housing (optional)

24-3/4"H x 16-3/4"D



Minimum size hearth extension is 16"D x 32"W.

P35i: tested by OMNI: ASTM E1509-04, ULC/ORD-C C1482-M1990, ULC-S628-93, Mobile Home Approved

A Standard of Excellence




In 1979, Dane Harman used his welding skills and design talent to build his first wood stove, setting the stage for a journey full of entrepreneurial energy and innovation. Built to a Standard and Not a Price has remained an unwavering promise since that first model was constructed, and is exemplified today through Harman's multiple patents and industry awards. Harman heating solutions are built to withstand the test of time with reliable warmth and aesthetic elegance, staying true to Dane's dedication to optimal performance and engineering excellence.



YOUR HARMAN DEALER IS:

HARMAN[®]
BUILT TO A STANDARD. NOT A PRICE

PHONE: 800-664-3119
WWW.HARMANSTOVES.COM

 [facebook.com/HarmanStoves](https://www.facebook.com/HarmanStoves)
 twitter.com/HarmanStoves
 [youtube.com/HarmanStoves](https://www.youtube.com/HarmanStoves)

LIMITED LIFETIME WARRANTY⁴

The strongest in the industry, Harman provides a limited lifetime warranty on the most important aspects: firebox and heat exchanger.

¹EPA tested input. ²Weighted Average LHV (Low Heating Value) Efficiency. ³See your local authorized Harman dealer for help in determining the product that best suits your heating needs based on climate and home efficiency. ⁴For full warranty details, visit www.harmanstoves.com.

Actual product appearance, including flame, may differ from image. Product specifications and pricing subject to change without notice. Power cords for the insert will run along the hearth and can be directed to either side of the appliance for flexible installation. The images and descriptions in this brochure are provided to assist you in product selection only. Fuel density and pellet shape may affect hopper capacity. Bu's may vary depending on type of fuel used. Refer to installation manual for complete clearance requirements and specifications.

Stove and insert surfaces get extremely HOT and can cause severe burns if touched. Keep a safe distance away. To learn more visit www.harmanstoves.com/fireplacesafety

HAR-1110U-0118