

**FIREPLACE**  
FIREPLACE XTRORDINAIR

42 APEX WOOD FIREPLACE







# Nothing Matches A Real Log Fire

We invite you to relax and experience the deep, comforting warmth of FireplaceX's newest EPA-Certified wood burning fireplace, the 42 Apex™. Nothing compares to the heat of a crackling wood fire, and the 42 Apex™ is designed to deliver high performance, clean-burning heat, while showcasing a spectacular fire view. A large rectangular door and viewing area beautifully frames and complements the fire, offering a sleek design that accommodates all styles, from contemporary to traditional.

Designed to be flexible for all installation applications, the 42 Apex™ is perfect for remodels and new home construction, as its simple installation parameters allow it to be featured anywhere in the home, including interior walls.

## UNIQUE FEATURES YOU'RE GOING TO LOVE:

- Massive 328 square inch fire viewing area (25 ½" W x 12 7/8" T)
- Sleek rectangular door design – classically understated, linear and very popular
- Easy to use single air control, artfully hidden in the face design
- Bypass damper for easy startup fires and smoke-free reloading.
- Low profile door handle is incorporated into the sleek rectangular door design.
- Perforated air wash for super clean glass.
- Unibody construction and heavy gauge steel 3.5 cu. ft. firebox lined with kiln dried firebrick.
- Exceptionally quiet 400 CFM fan that minimizes noise while maximizing heat output
- Multiple chimney options: 8" Air Cooled Chimney or 7" Class A Chimney, allowing for various installation applications.
- State of the art catalytic operation provides you with one of the cleanest burning zero clearance wood fireplaces in the industry.

## PERFORMANCE

- Heating Capacity\*: Up to 2,500 Sq. Ft.
- Maximum Burning Time: Up to 12 Hours
- BTU Output Per Hour: Up to 62,000 (Cord Wood)
- EPA Approval\*\*\*: 0.69 Grams/Particulate Per Hour

\* Heating capacity may vary depending on degree of home insulation, floor plan and ambient temperature zone of the area you live.

\*\*This heater meets the 2020 U.S. EPA's crib wood emission limits for wood heaters sold after May 15, 2015. Tested to Method 28,

This model was tested for efficiency using method B415.1-10 and was determined to have:

- Weighted average higher heating value (HHV) overall heating efficiency (OHE) of 73%
- Weighted average lower heating value (LHV) overall heating efficiency (OHE) of 78.6%
- Maximum measured lower heating value (LHV) efficiency of 83.3%

## Our Story

FireplaceX® (also referred as Fireplace Xtrordinair®) takes pride in its Pacific Northwest heritage, and for over 35 years we've been heating homes across North America with impeccably crafted fireplaces built in Western Washington. What started as one man, a tiny shop, a dream, and a cup of Starbucks coffee has grown into the largest privately owned hearth manufacturer in North America. If you are visiting the Pacific Northwest we'd love to show you how the most incredible fireplaces in the world are hand-crafted at our factory in Mukilteo, Washington, and plan on staying for lunch.

# Designer Face Options



## Universal Face

Timeless, refined grillwork complements any room and will remain stylistically relevant through the years. This face is painted in a soft charcoal finish.



## Metropolitan™ Face

This design features beautiful, detailed grillwork. The beveled edges of the Metropolitan face also create an intriguing appearance that catch and reflect your room's lighting. This face features a soft charcoal finish.



## Timberline™ Face

Every face is completely hand crafted by in-house blacksmiths. Each piece of metal is heated in a forge at extremely high temperatures, hand-hammered and worked multiple times to complete an authentic finished product with textured surfaces, beveled edges and incredible attention to detail.



## Multi-Use Tool

Your 42 Apex™ comes with a useful utility tool that allows you to adjust your air control, open and close your bypass damper and access the loading door without the risk of accidentally touching the hot surface of the fireplace.

*Scan this QR Code to watch a video on how the Timberline™'s face is made.*





# Clean Burning Catalytic Technology

## FEATURES

- (A) Cool outside air is drawn in for combustion.
- (B) A metered amount of air enters the preheated air chamber, converting cold, incoming air into warm combustion air.
- (C) The air then travels through a screened air wash which diffuses and evenly distributes air across the high quality ceramic glass. The perforated air wash works like a self-cleaning oven to keep the (D) large glass viewing area clean and help the fireplace burn more efficiently.
- (E) An additional boost to the primary fire is achieved by air inlets near the base of the firebox, allowing for quick and easy startup of the fire.
- (F) A durable, large catalytic combustor incinerates any leftover particulates, burning almost all of the flue gases and eliminating carbon monoxide.
- (G) The bypass damper allows for smoke-free fire startups and reloads when open, and assists overnight burns when closed.
- (H) The low profile door handle is seamlessly incorporated into the door and comes standard with a tool that allows you to open and close the door with ease.
- (I) The single air control is artfully hidden within the fireplace design and gives you the ability to effortlessly manage the burn rate of the fire.
- (J) The convection chamber naturally circulates the air around the fireplace and returns it into the room as heated air. As the fireplace heats up the air flow increases, delivering more heated air into your home.
- (K) The exceptionally quiet 400 CFM convection fan (mounted below the firebox) comes standard and minimizes noise while maximizing heat output.
- (L) GreenStart® igniter option



## IN-WALL CONTROL CENTER

The 42 Apex™ features the industry's first in-wall control that combines digital catalytic temperature readout and a slide rheostat for the standard fan. This user-friendly device houses all of your fireplace's controls into one simple, sleek design that does not require batteries and can be easily mounted and seamlessly integrated into the wall.

With this wall control you have the ability to adjust the amount of heat being distributed into the room, understand when your fireplace is performing at optimum efficiency, and even start your fire with the push of a button!

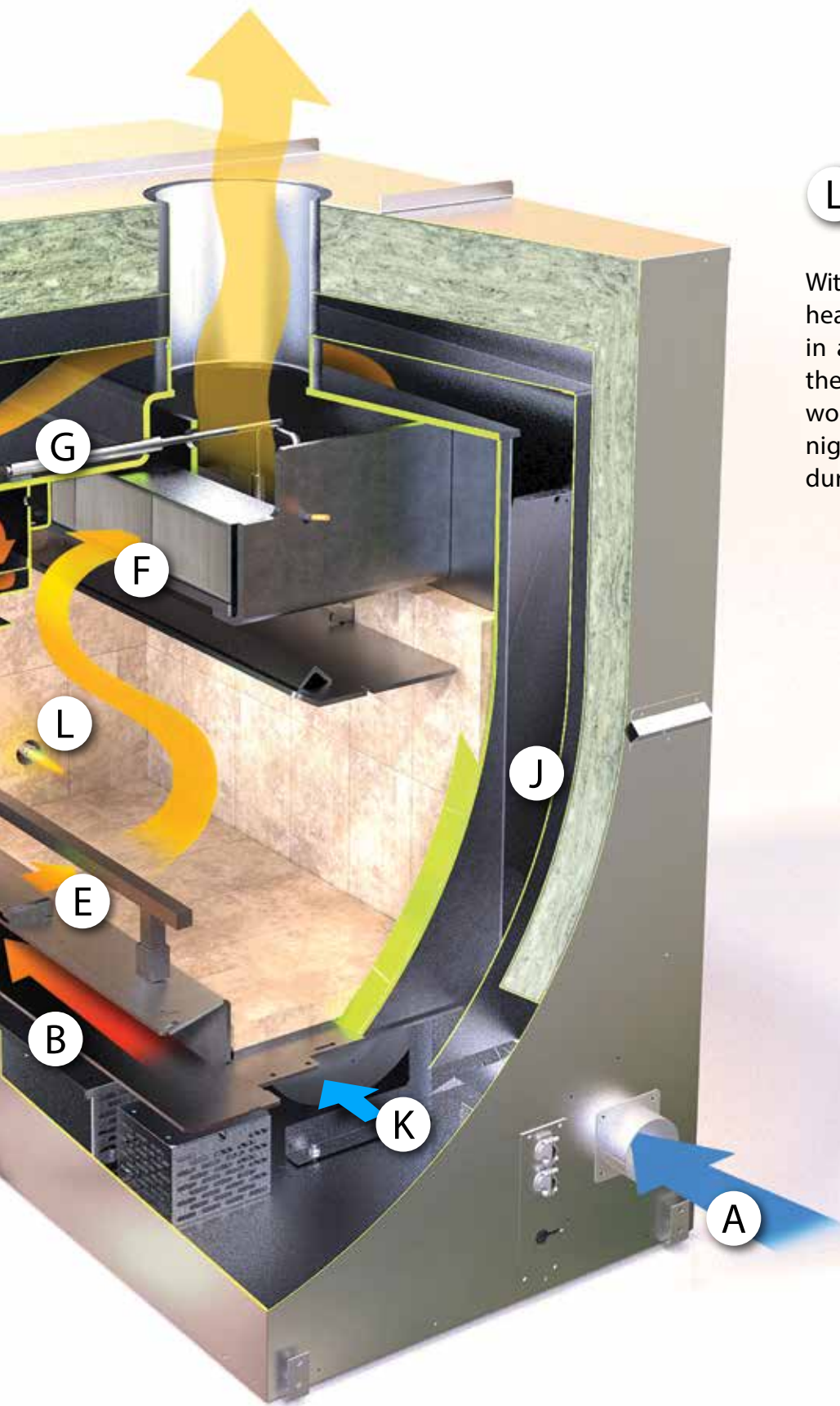


1. The slide rheostat can be adjusted to maximize your heat output or it can turn the blower completely off when low, gentle warmth is desired.
2. The digital temperature should read above 500 degrees \*Fahrenheit, which means the catalytic combustor is engaged and you are burning a clean, efficient fire.
3. With the optional GreenStart® feature you simply load your wood and push a button to have a roaring fire in minutes!

*\*Fahrenheit temperature can easily be changed to Celsius.*

## L Push Button Startup. The Greatest Wood Fireplace Option Ever!

With a push of the GreenStart® button, super heated air (1400°F) starts your 42 Apex™ in a New York minute. You can also use the GreenStart® Igniter when adding new wood or refreshing your fire after an overnight burn. Your fireplace door stays closed during startups; no more smoky starts, no more slow starts. Anyone can do it!



**STEP 1**  
*Push Button*



**STEP 2**  
*Fire Starts Automatically*



**STEP 3**  
*Relax and Enjoy*



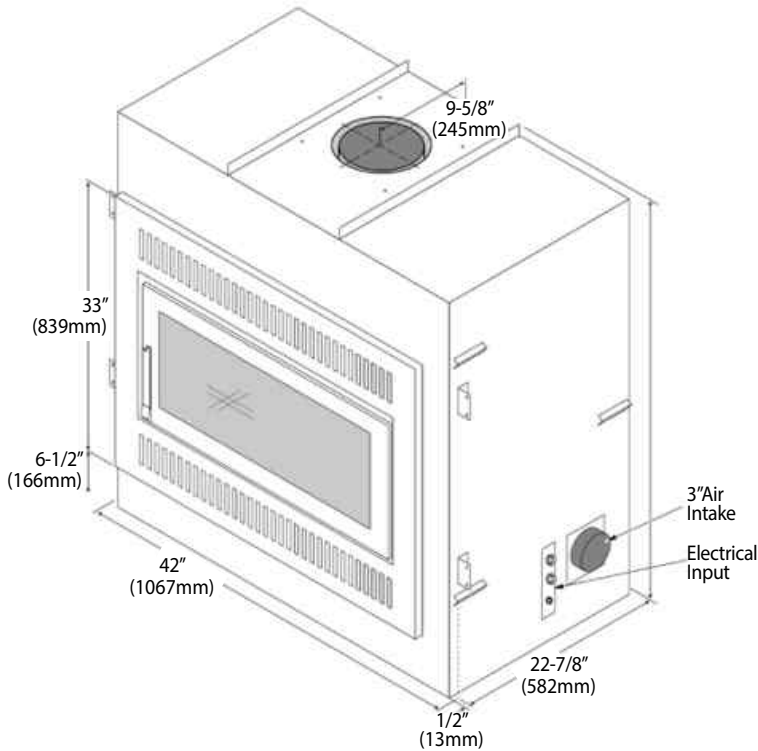
Use your Smart Phone QR Reader to watch a video on the 42 Apex™ wood fireplace



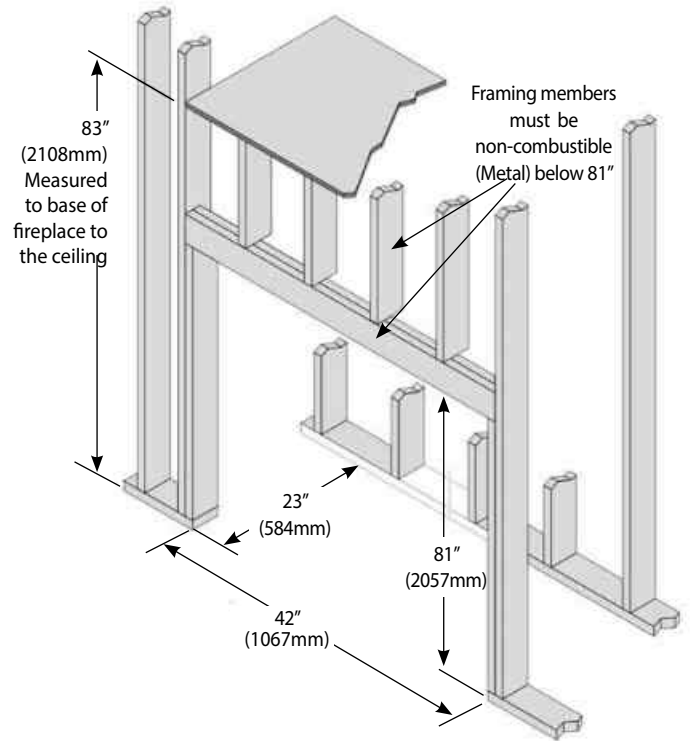
Use your Smart Phone QR Reader to watch a video on the GreenStart® Igniter

## Installation

Always refer to the Installation Manual for complete installation information.



## Framing



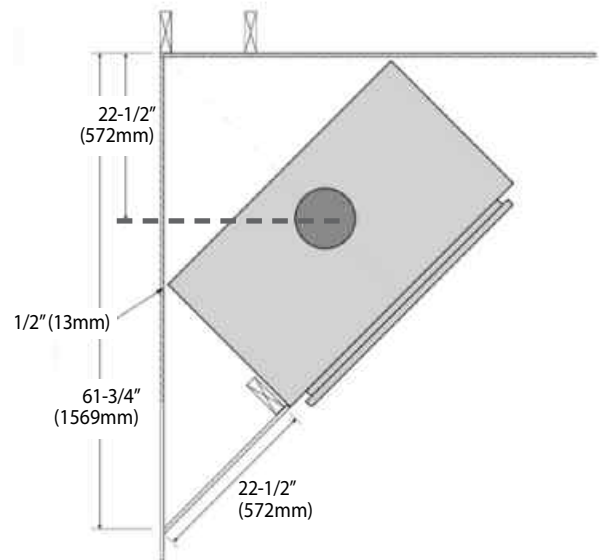
## Clearances to Combustibles

Sidewalls measured to the centerline in front of fireplace.	45" (1143mm)
Side combustibles measured to the centerline in front of fireplace that protrude less than 7" (178mm).	24-3/8" (620mm)
Any combustible placed in front or sides of fireplace.	48" (16mm)

## Approved Chimney

AIR-COOLED CHIMNEY	- Available from FireplaceX®.
INSULATED CHIMNEY	- Duravent DuraPlus HTC Chimney
	- Duratech Canada
	- ICC Excel 7"
	- Security Oliver MacCloud S2100+ or ASHT+SP
	- Security S2100+ and ASHT+
	- Selkirk CF Sentinel, Supervent 2100JM, SuperPro 2100 ALT and UltimateOne

## Corner Framing



## Testing

FireplaceX Model 42 Apex is tested to U.L. 127-2015 and ULC-S610-M87 (R1998) standards by OMNI-Test Laboratories, Inc. Report # 028WF102S I.C.B.O. #NER-219.



FIREPLACE XTRORDINAIR

FireplaceX produces a wide variety of the highest quality wood and gas fireplaces.

Find your favorite fire today by visiting:

[www.FireplaceX.com](http://www.FireplaceX.com)