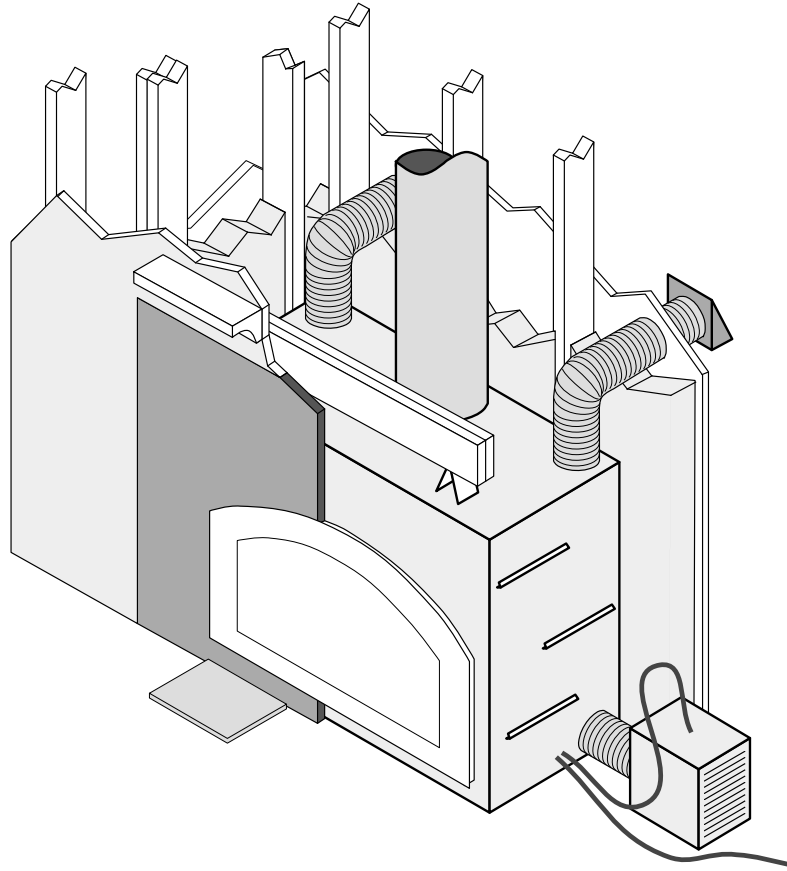


# **X FIREPLACE X XTRODINAIR®**



## **36 Elite Installation Manual**



12521 Harbour Reach Drive

Mukilteo, WA 98275

This manual is available online in French  
Ce manuel est disponible en ligne en Français

© Copyright 2019, T.I.

\$10.00 100-01515

11/4/2019

Tested and listed by



Report # 0028WF060S, 0028WF060E

Tested to: U.L. 127-2015  
and portions of U.L. 1482 & 907

This manual details the installation requirements for the 36 ELITE wood-burning fireplace. For operating and maintenance instructions, refer to the 36 ELITE Owner's Manual.

## Listing Details

The listing label is attached to the base of the fireplace and is viewed by removing the faceplate (see below).

**DO NOT REMOVE THIS LABEL**

CONTACT LOCAL BUILDING OR FIRE OFFICIALS ABOUT INSTALLATION AND RESTRICTIONS IN YOUR AREA.  
LISTED FACTORY-BUILT FIREPLACE



Tested and Listed by  
OMNI-Test Laboratories, Inc.  
Report No. 0028WF0605, 0028WF060E  
Certified for USA

MODEL:  
**36 Elite**

CONFORMS TO UL STD 127-2015

SERIAL NO:

This wood heater contains a catalytic combustor, where both need periodic inspection and replacement for proper operation. Consult the owner's manual for further information. It is against federal regulations to operate this wood heater in a manner inconsistent with operating instructions in the owner's manual, or if the catalytic element is deactivated or removed. CAUTION: the combustor used in this appliance (part no. 250-00556) is fragile and must be handled carefully. Burning of metal foils, plastic, garbage, sulphur and diesel oil will render the catalyst in the combustor inactive. The performance and durability of the catalytic combustor has not been evaluated as part of the certification. Do not use a fireplace insert or other products not specified for use with this product. This fireplace has not been tested with an unvented gas log set. To reduce the risk of fire or injury, do not install an unvented gas log set into fireplace. Fireplace must use combustion air drawn from outside the house. Use cord wood only. DO NOT OVERFIRE UNIT.

U.S. ENVIRONMENTAL PROTECTION AGENCY  
Certified to comply with 2020 particulate emission standards using cord wood.  
1.34 g/h, EPA Alt-125, ASTM E3053-17, ASTM 2515-11, CSA B415.1-10

Replace glass only with 5mm neoceramic or ceramic glass.

Electrical Rating: 115V, 60 Hz, 1.1 Amps  
Blower: # 98500780



**TRAVIS INDUSTRIES  
HOUSE OF FIRE**

Manufactured by:  
**TRAVIS INDUSTRIES, INC.**  
12521 Harbour Reach Drive  
Mukilteo, WA 98275  
www.travisproducts.com

DATE OF MANUFACTURE

2019	2020	2021	2022	Jan	Feb	Mar	Apr	May	Jun	Jul	Aug	Sep	Oct	Nov	Dec
<input type="checkbox"/>	<input type="checkbox"/>	<input type="checkbox"/>	<input type="checkbox"/>	<input type="checkbox"/>	<input type="checkbox"/>	<input type="checkbox"/>	<input type="checkbox"/>	<input type="checkbox"/>	<input type="checkbox"/>	<input type="checkbox"/>	<input type="checkbox"/>	<input type="checkbox"/>	<input type="checkbox"/>	<input type="checkbox"/>	<input type="checkbox"/>

Made in U.S.A. 1384


**IAS (ICBO) Approval** - This appliance was listed by OMNI Test Labs – IAS (ICBO) # TL-130.

## Emissions

This heater meets the 2020 U.S. EPA's cord wood emission limits for wood heaters. Tested to EPA Alt-125, ASTM E3053-17, ASTM 2515-11, CSA B415.1-10 this heater has been shown to deliver heat at rates ranging from 17,380 to 69,747 BTU/hr and an emission value of 1.34g/h. Report No. 0028WF060E



This wood heater has a manufacturer-set minimum low burn rate that must not be altered. It is against federal regulations to alter this setting or otherwise operate this wood heater in a manner inconsistent with operating instructions in this manual.



**36 Elite**

XXXX

U.S. ENVIRONMENTAL PROTECTION AGENCY  
Certified to comply with 2020 particulate emission standards using cord wood.  
1.34 g/h, EPA Alt-125, ASTM E3053-17, ASTM 2515-11, CSA B415.1-10

inspection and replacement for proper operation. Consult the owner's manual for further information. It is against federal regulations to operate this wood heater in a manner inconsistent with operating instructions in the element is deactivated or removed. See installation and operating instructions for this model. Use cord wood only.


Serial No. **ZC-1201**

MANUFACTURE DATE:

<input type="checkbox"/> 2019	<input type="checkbox"/> JAN	<input type="checkbox"/> APR	<input type="checkbox"/> JUL	<input type="checkbox"/> OCT
<input type="checkbox"/> 2020	<input type="checkbox"/> FEB	<input type="checkbox"/> MAY	<input type="checkbox"/> AUG	<input type="checkbox"/> NOV
<input type="checkbox"/> 2021	<input type="checkbox"/> MAR	<input type="checkbox"/> JUN	<input type="checkbox"/> SEP	<input type="checkbox"/> DEC

Manufactured By: TRAVIS INDUSTRIES, INC.  
12521 Harbour Reach Drive, Mukilteo, WA 98275

## National Fireplace Institute



We suggest that our woodburning hearth products be installed and serviced by professionals who are certified in the U.S. by the National Fireplace Institute® (NFI) as NFI Woodburning Specialists or who are certified in Canada by Wood Energy Technical Training (WETT).

www.nficertified.org

Listing Details.....	2	Facing Requirements.....	22
Emissions.....	2	Facing Requirements (continued).....	23
National Fireplace Institute.....	2	Using Non-Combustible Facing/Framing with a Recessed Enclosure.....	24
Installation Warnings.....	4	Side View.....	24
Operating Warnings.....	4	<i>OFFSET CHART</i> .....	24
Installation Options.....	5	Using Non-Combustible Facing/Framing with a Recessed Enclosure (cont.).....	25
Heating Specifications.....	5	Top View.....	25
Dimensions.....	5	Requirements.....	25
Packing List.....	6	Mantel Requirements.....	26
Items Shipped with the Faceplate.....	6	Mantel Depth When Using Thick Facing.....	26
Items Shipped with the Door(s).....	6	Hearth Requirements.....	27
Installation Overview.....	7	Finalizing the Installation.....	28
Recommended Order of Installation.....	7	Remove Set-Up Face.....	28
Installation Requirements for Cold Environments.....	8	Prepare the Firebox.....	29
Install the Blower in an Internal Location.....	8	Install the Faceplate Insulation.....	30
Cooling Air “P” Trap.....	8	Faceplate Installation.....	31
Bi-Metallic Damper.....	8	Switchplate Installation and Blower Check.....	32
Daily Requirements for Homeowners.....	8	Door Installation.....	33
Humidity.....	8	Single Door Installation.....	33
Other Items.....	8	Double Door Installation.....	33
• Minimize the use of exhaust fans in the home when the fireplace is not in use.....	8	Door Latch Adjustment.....	33
Negative Pressure Warning.....	9		
What Causes Negative Pressure.....	9		
How to Measure Negative Pressure.....	9		
How to Remedy Negative Pressure.....	9		
Fireplace Placement Requirements.....	10		
Minimum Framing Dimensions.....	10		
Framing Dimensions at 45°.....	10		
Fireplace Placement.....	11		
Clearances.....	12		
Raised Fireplaces.....	12		
Cooling Vent Requirements.....	13		
Blower Requirements.....	14		
Blower Duct Routing.....	14		
Blower Duct Connection.....	15		
Blower Electrical Connection.....	15		
Chimney Requirements.....	16		
Approved Chimney.....	16		
Simpson Duravent Part Numbers (available through Travis Ind.).....	16		
Chimney Installation – Simpson Duravent (preferred).....	16		
Chimney Offset Chart (Simpson Duravent).....	17		
Chimney Installation – Non- Simpson Duravent.....	17		
Chimney Clearances to Combustibles.....	18		
Chimney Height.....	19		
Offset Requirements (30° Elbows).....	20		
Firestops.....	20		
Chimney Termination Requirements.....	21		

## *Installation Warnings*

---

- Read this entire manual before installing the fireplace.
- Failure to install this fireplace in accordance with all local codes and the requirements listed in this manual may result in property damage, bodily injury, or even death.
- Notify your insurance company before installing this fireplace.
- The requirements listed below are divided into sections. All requirements must be met simultaneously. The order of installation is not rigid – the qualified installer should follow the procedure best suited for the installation.
- Modifications of the fireplace (doors, blower, air inlet systems, damper control, or any other component supplied by Travis Industries) or use of any component part not approved by Travis Industries in combination with this fireplace system will void the listing and warranty.
- This fireplace is not approved for use in a mobile home.
- **Travis Industries, Inc. grants no warranty, implied or stated, for the installation or maintenance of your heater, and assumes no responsibility of any consequential damage(s).**

## *Operating Warnings*

---

- **WARNING: FIREPLACE SHOULD BE OPERATED ONLY WITH DOORS FULLY OPEN OR DOORS FULLY CLOSED. IF DOORS ARE LEFT PARTLY OPEN, GAS AND FLAME MAY BE DRAWN OUT OF THE FIREPLACE OPENING, CREATING RISKS OF BOTH FIRE AND SMOKE.**
- **Creosote – Formation and Need for Removal**  
When wood is burned slowly it produces tar and other organic vapors which combine with expelled moisture to form creosote. The creosote vapors condense in the relatively cool chimney flue of a slow-burning fire. As a result, creosote residue accumulates on the flue lining. When ignited this creosote makes an extremely hot fire.  
The chimney shall be inspected at least twice a year during the heating season to determine when a creosote buildup has occurred.  
When creosote has accumulated it shall be removed to reduce the risk of a chimney fire.
- Never use gasoline, gasoline-type lantern fuel, kerosene, charcoal lighter fluid, or similar liquids to start or 'freshen up' a fire in this fireplace. Keep all such liquids well away from the fireplace while it is in use.
- **Disposal of Ashes**  
Ashes should be placed in a metal container with a tight-fitting lid. These closed container of ashes should be placed on a noncombustible floor or on the ground, well away from all combustible materials, pending final disposal. If the ashes are disposed of by burial in soil or otherwise locally dispersed, they should be retained in the closed container until all cinders have thoroughly cooled.
- Do not use a fireplace insert or other products not specified for use with this fireplace.
- Do not poke or stir the logs while they are burning. Use only firelogs that have been evaluated for the application in fireplace and refer to firelog warnings and caution markings on packaging prior to use. Do not use firelogs that contain anything other than wood.
- This wood heater contains a catalytic combustor, where both need periodic inspection and replacement for proper operation. Consult the owner's manual for further information. It is against federal regulations to operate this wood heater in a manner inconsistent with operating instructions in the owner's manual, or if the catalytic element is deactivated or removed. See installation and operating instructions for the model. Use cordwood only.

## Installation Options

- Residential (not approved for HUD Mobile Homes)
- Straight or Corner Placement
- Flush or Recessed Face
- Raised or Floor Placement
- Raised or Floor Hearth
- Internal or External Chase
- 3 Blower Duct Locations
- 2 Electrical Connection Locations

## Heating Specifications

Approximate Heating Capacity (in square feet)* .....	Up to 2,500
Maximum Burning Time .....	Up to 10 Hours

\* Heating capacity will vary with floor plan, insulation, and outside temperature.

## Dimensions

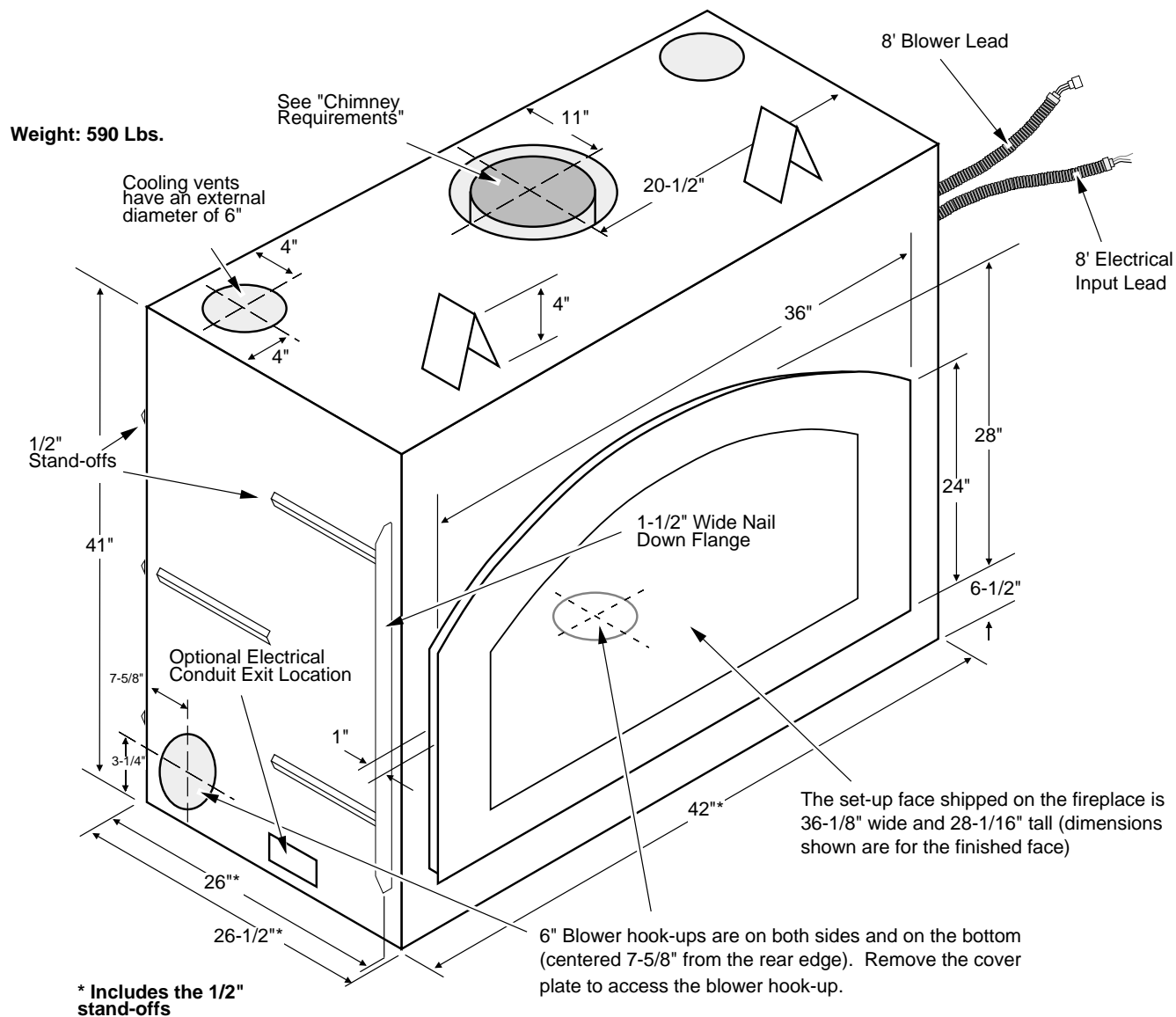


Figure 1

***Packing List***

---

- Grate
- Baffle
- Blower Assembly
- Ember Strip
- Log Retainer (includes hex wrench & instructions)
- Flex Duct w/ start collar – 3' Length, 6" Diameter (For Blower)
- Two 10' Flex Ducts, 6" Diameter (For Cooling Vents)
- Two Vent Hoods (For Cooling Vents)
- Two Vent Hood Storm Collars (For Cooling Vents)
- Faceplate Gasket
- Catalytic Temperature Reader (w. installation inst.)

***Items Shipped with the Faceplate***

---

- Faceplate (two switch plate screws are attached)
- Switch Plate (includes blower rheostat)
- 10 Faceplate Screws

***Items Shipped with the Door(s)***

---

- Owner's Manual
- Installation Hardware Pack
- Pair of Gloves
- Touch-up Paint

## Installation Overview

- All requirements below must be met.

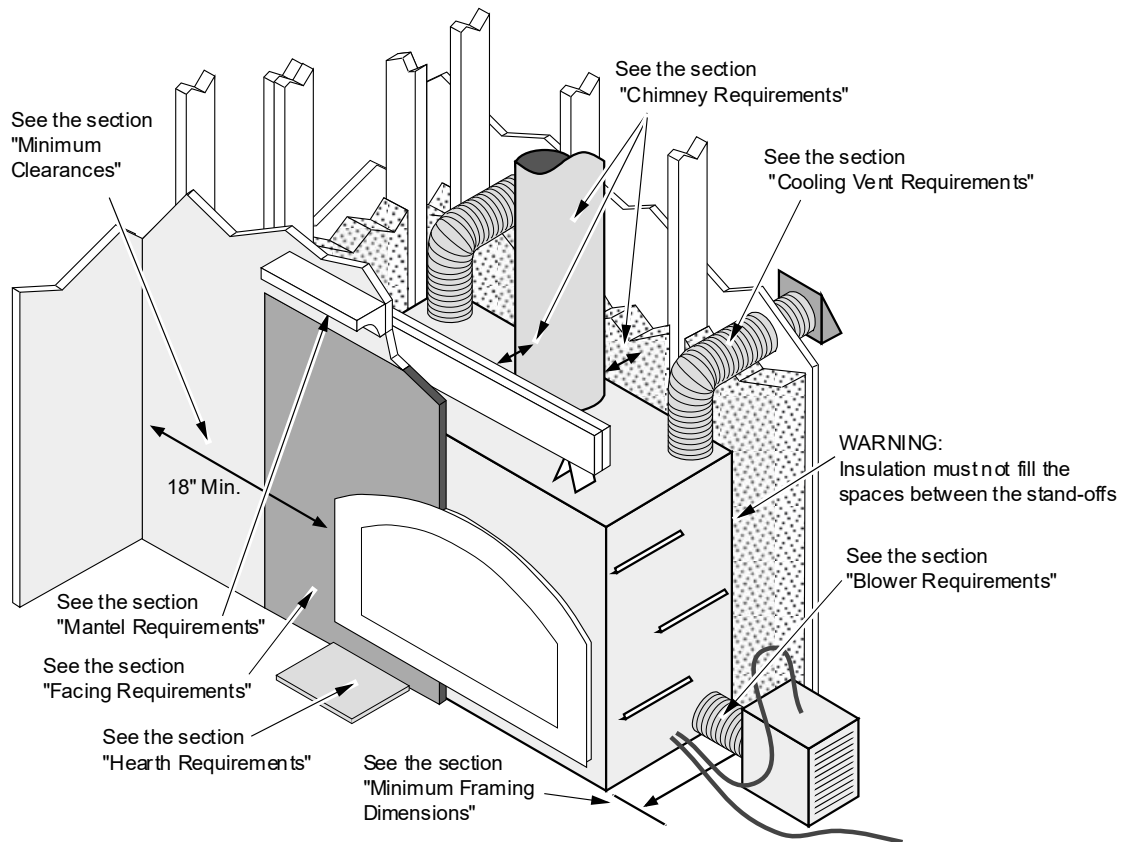


Figure 2

## Recommended Order of Installation

- Frame the opening for the fireplace. Make sure to allow for vent, blower, and cooling vent installation.
- Secure the fireplace to the floor.
- Install the vent, blower, cooling vents, and electrical hook-up.
- Complete the framing above the fireplace.
- Install the hearth.
- Install the facing.
- Install the mantel.
- Finalize the installation (see the instructions starting on page 28).

## Installation Requirements for Cold Environments

If you live in the area depicted in black (see Figure 3), you must install a cooling air “P” trap as detailed below and install the blower on an internal wall. In addition, make sure the homeowner follows the requirements shown below to help minimize cold air being pulled into the fireplace when it is not in use.



Figure 3

### Install the Blower in an Internal Location

In cold environments the blower must be positioned on an internal wall (see Figure 4). This eliminates any chance of any outside air being drawn into the convection chamber from the blower location.

**NOTE:** Do not place the blower inside a garage or other area that may circulate fumes.

### Cooling Air “P” Trap

When installing the cold air ducts, make sure to include a “P” trap in the design (see the illustration to the right). This helps slow cold air from circulating through the cooling air chamber.

### Bi-Metallic Damper

In extremely cold environments the installer may wish to install a cooling air damper on the chimney. This component (part # 250-01741) is an 18” section of Duravent pipe that is installed at the top of the chimney, directly below the cap. It has a heat-activated damper that helps reduce cold air from entering the cooling ducts while the fireplace is not in operation.

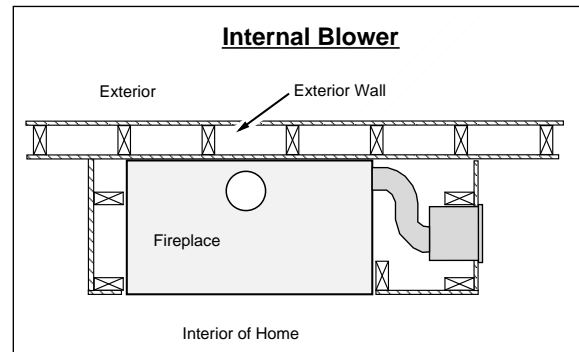


Figure 4

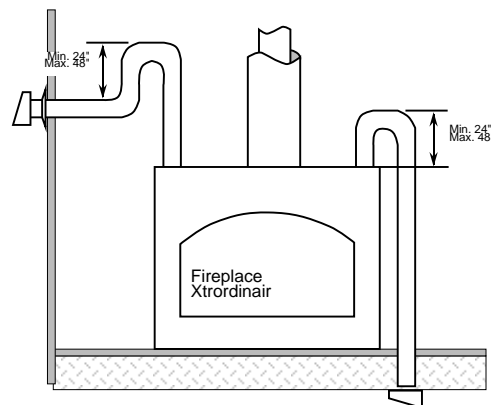


Figure 5

### Daily Requirements for Homeowners

#### Humidity

Make sure the humidistat is set correctly. The chart below details the correct setting for the temperature you are experiencing outdoors.

Outdoor Temperature		Recommended Humidity Controller Setting
°F	°C	
-20	-29	15
-10	-23	20
0	-18	25
+10	-12	30
+20	-7	35
>+20	>-7	40

Note: If using a humidifier, let the homeowner know that it should be shut off or turned to a lower setting to eliminate condensation.

#### Other Items

- Make sure the bypass is shut when the fireplace is not in use.
- Minimize the use of exhaust fans in the home when the fireplace is not in use.



## Negative Pressure Warning

The Fireplace Xtordinair wood fireplace relies upon natural convection to supply cooling air to the fireplace. If installed into a house experiencing negative pressure, air may be pulled into the fireplace. This leads to the face becoming cold while the fireplace is not in use, and in severe cases, air being pulled into the room.

### What Causes Negative Pressure

Today's air-tight homes are not 100% air tight. If air leaks are found at the top of the home enclosure, air may be pulled through the home due to convection (the warmer air moves upwards, leaving the home, causing air to be pulled into the home from different location). See Figure 6 below.

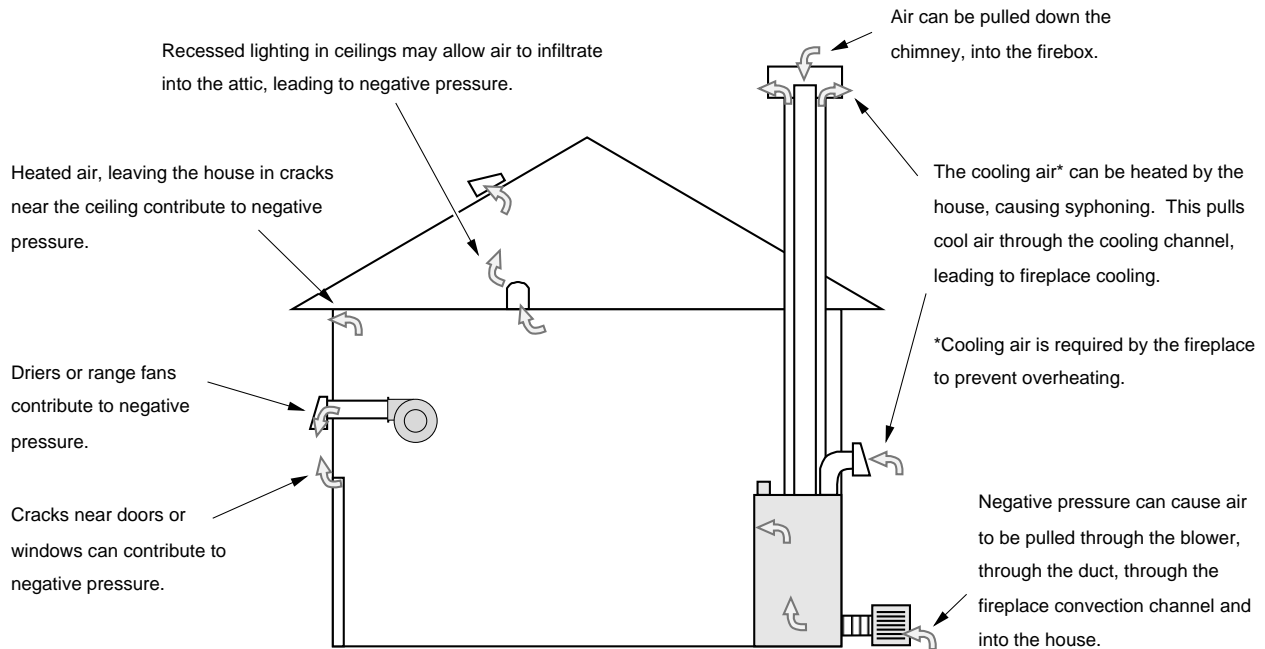


Figure 6

### How to Measure Negative Pressure

Digital pascal meters (also called "pressure meters", digital "manometers") can measure negative pressure readings inside a home. They typically cost around \$600. They measure pascals (1 pascal is equal to .004" Water Column). Typical homes have 0 to -1 pascals. Homes with negative pressure have -2 or more (we have measured homes with upwards of -8 pascals). We strongly recommend measuring the pressure in homes suspected of encountering negative pressure. This allows the homeowner, and fireplace installer, to view an objective measurement.

### How to Remedy Negative Pressure

The only proven method to reduce negative pressure is to install an "air exchanger". This device allows outside air to enter the home after going through a "heat exchanger" to minimize cold infiltration.

**Fireplace Placement Requirements**

**Minimum Framing Dimensions**

The fireplace enclosure must be a minimum 81" tall (above the base of the fireplace).

- If the fireplace is raised, the enclosure height must be raised to maintain the 81".
- Do not build into this area.
- Do not slope the walls inward.

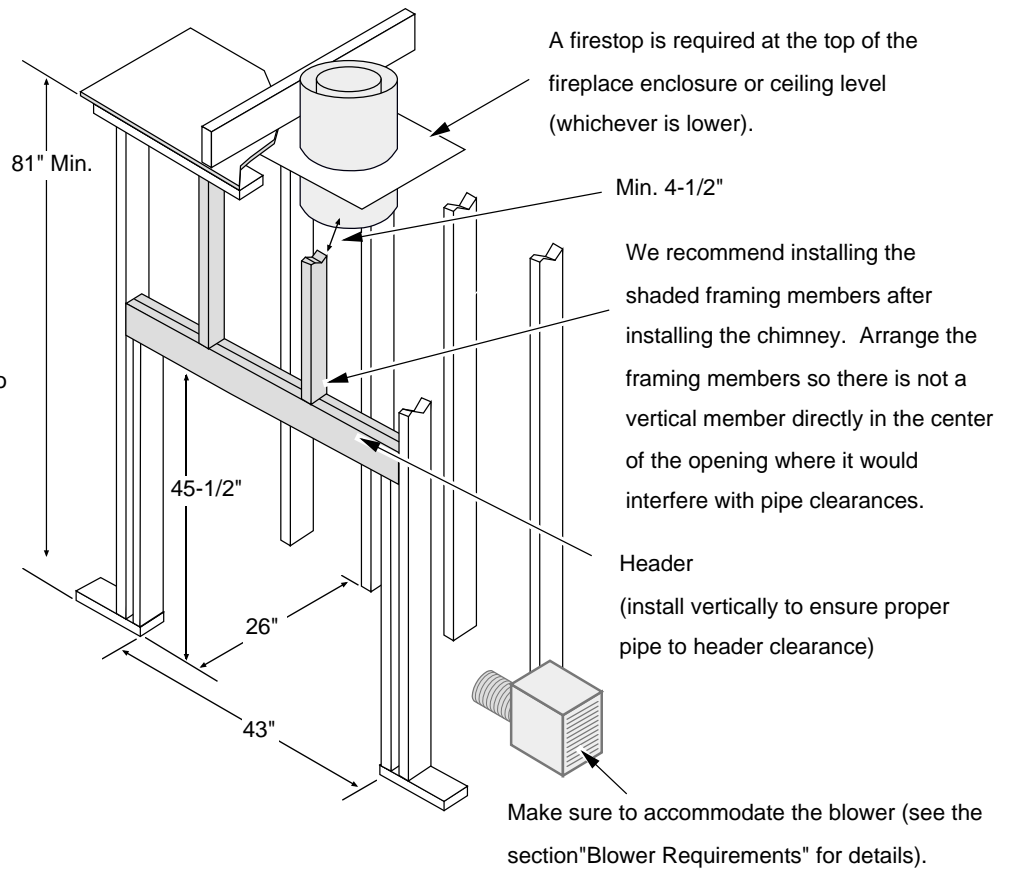


Figure 7

**Framing Dimensions at 45°**

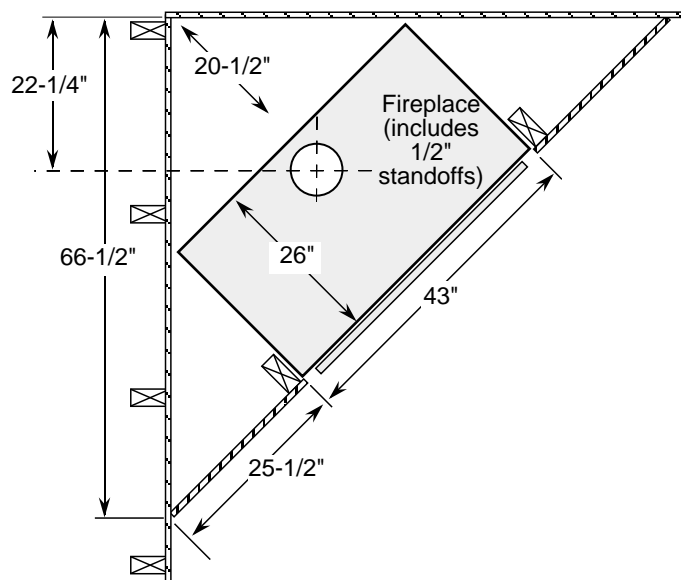


Figure 8

## Fireplace Placement

- The fireplace must be secured to the floor (use the lifting handle brackets - see Figure 9).

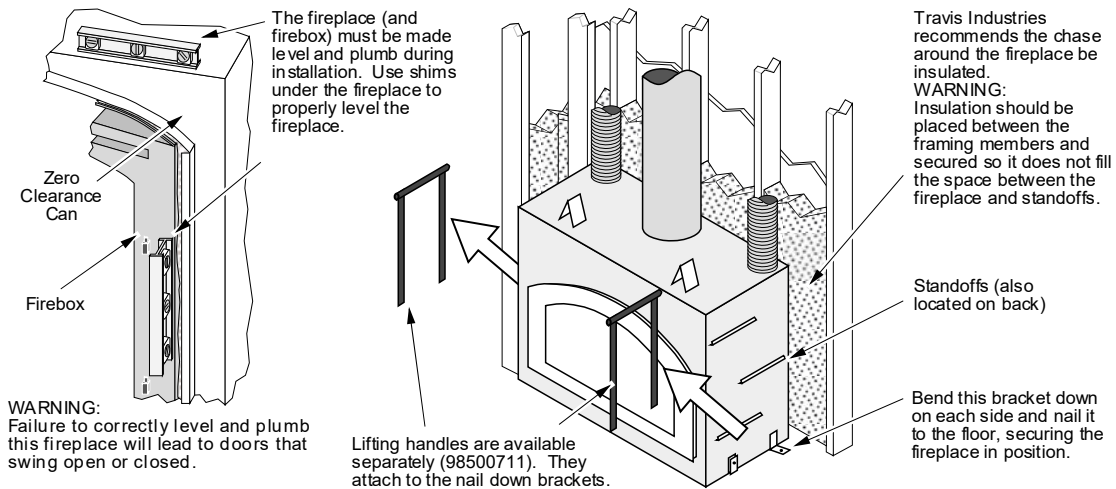


Figure 9

- Fireplace must be placed directly on wood or non-combustible surface (not on linoleum or carpet)
- Fireplace must be installed on a level surface capable of supporting the fireplace and chimney
- Place the ember strip included with the fireplace below the front edge of the fireplace (see Figure 10).

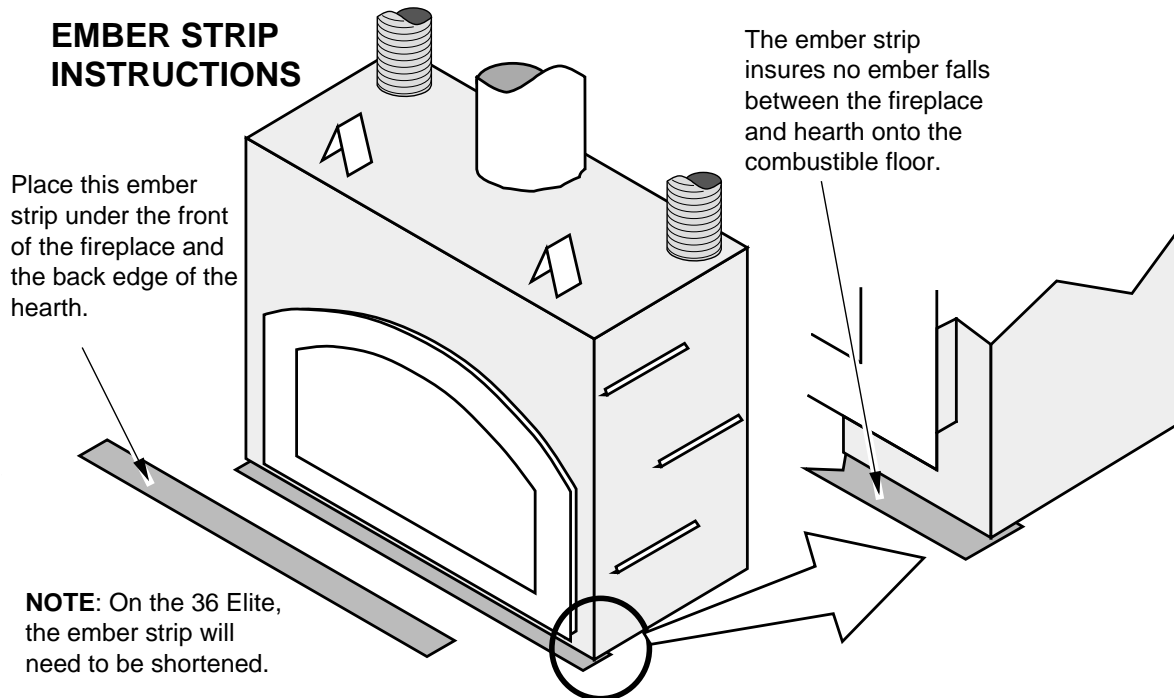


Figure 10

### Clearances

- The fireplace uses 1/2" standoffs on the back and sides and 4" stand-offs on the top to space the fireplace away from framing members or walls. These stand-offs may contact the framing members or walls but do not place insulation or other material in the space between the stand-offs and fireplace.
- When installed, walls in front of the fireplace must be a minimum 18" to the side of the faceplate (15-1/2" from the side of the fireplace). See Figure 2 on page 7.
- Fireplace should be located such that no doors, drapes, furniture or other combustibles can be placed close or swing closer than the minimum 36" clearance. Due to the high heat output of this fireplace, choose a location away from high traffic areas.
- Fireplace must be placed so the vents below and above the glass do not become blocked.

### Raised Fireplaces

- If the fireplace is raised, the fireplace enclosure must be raised as well (minimum 81" enclosure height from base of fireplace see Figure 7).
- The fireplace (and hearth, if desired) may be placed on a platform designed to support the fireplace and vent (approximately 600 lbs.). See Figure 11.

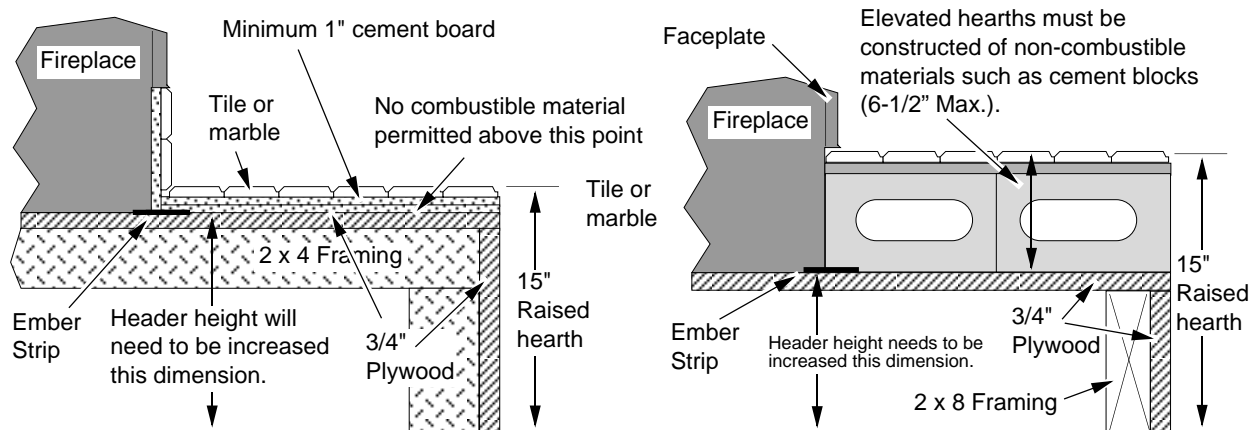


Figure 11

## Cooling Vent Requirements

**WARNING:** The cooling vents provide cooling air for the fireplace and chimney system. Failure to correctly install the cooling vents will lead to an extremely dangerous installation and possibly a fire.

- The two cooling vents must be installed so as to route air from the outside to the two starter collars on the top rear corners of the fireplace. Secure the vents to the collars using high-temperature aluminum tape and/or sheet metal screws.
- A maximum of two 90° bends may be used on each vent. However, if a 180° bend is placed directly above the starter collar, one additional 90° bend may be used (see Figure 12).
- The maximum distance for the cooling ducts is listed below:

When the vertical rise is between:	The maximum horizontal run may be:
6' and 10' (max)	5'
3' and 6'	15'
1' and 3'	20'
0' and 1'	25'

- Included with the fireplace are two 10' lengths of vent, use a connector and seal if adding more length
- The duct terminations must be located so they can not be blocked (e.g. snow drifts)

- Included with the fireplace is a set of storm collars and vent hoods. Place the collars around the vent on the exterior and attach with screws or caulking to seal the wall from the vent penetration. Place the hood, with open portion facing down, over the cooling vents and secure.

- The cooling air duct terminations may be installed to draw air from a ventilated crawl space or attic if approved by local building codes.  
**NOTE:** certain codes require a fire curtain damper in these cases.

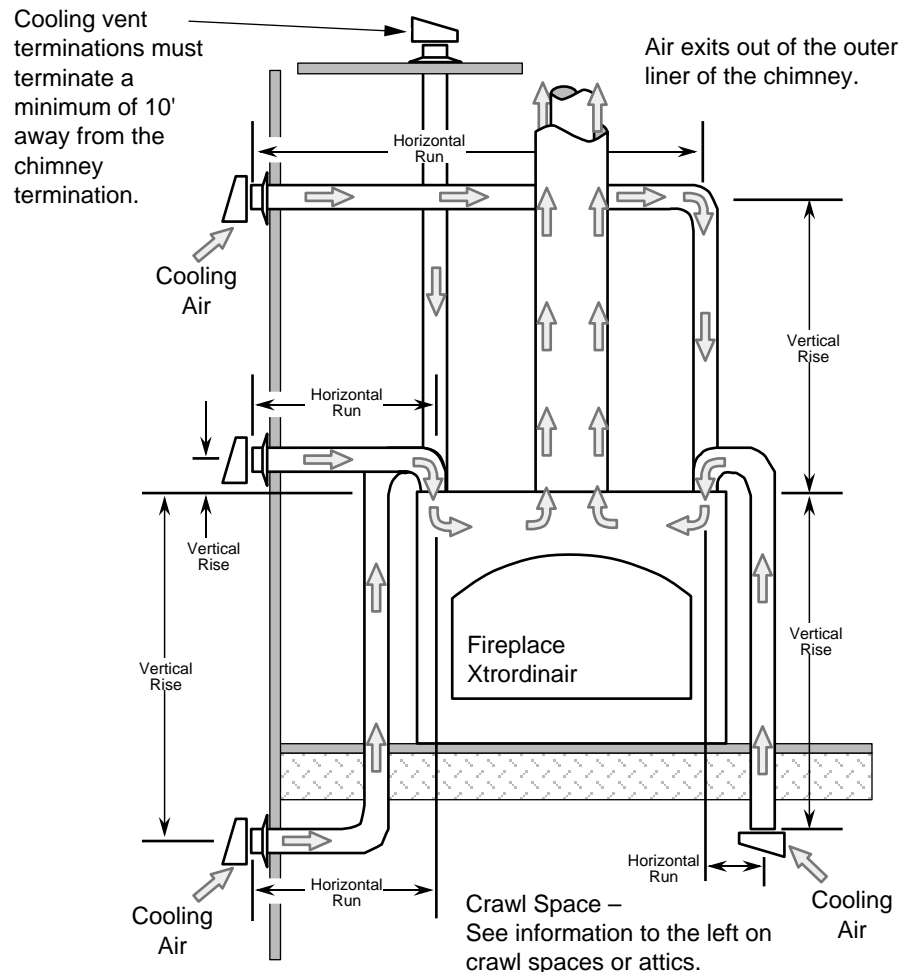


Figure 12

## Blower Requirements

The required blower pushes air through blower duct to the fireplace, where it is heated and distributed into the room.

### Blower Duct Routing

- The blower may be located to draw air from the interior or exterior of the home (see Figure 13).

**NOTE:** For cold environments, it must be located on the interior (see page 8).

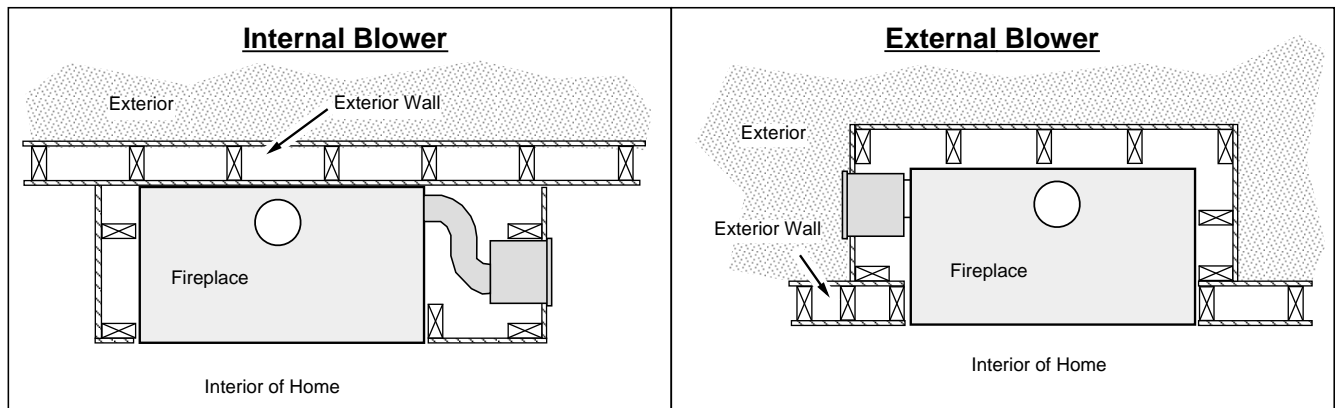


Figure 13

- The maximum length for 6" diameter blower duct is 15' (use the included duct & start collar).
- The maximum length for 8" diameter blower duct is 25' (use two 6" to 8" adapters).

**NOTE:** The shorter the blower duct, the greater the air flow.

- A maximum of two 90° bends may be used.
- The blower, if located on an external wall, must be weatherproofed (see Figure 14). Remove the blower cover and install the blower. Apply caulk around the perimeter of the blower housing where it contacts the external wall and vapor barrier (apply sparingly). Replace the blower cover.
- The blower may be installed to draw air from a crawl space or attic if approved by local building codes (see Figure 15). **NOTE:** certain codes require a fire curtain in these cases.
- Do not draw air from confined areas or from a garage or area containing fumes or emissions. The blower inlet must be a minimum 36" below any exhaust vent.

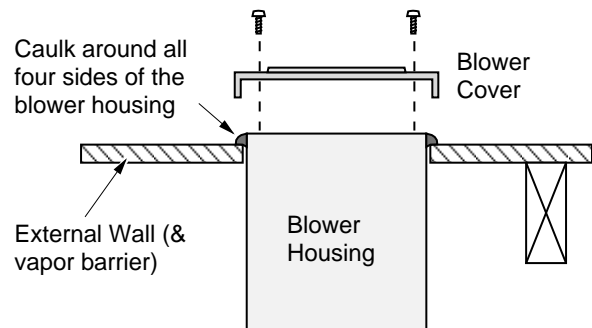


Figure 14

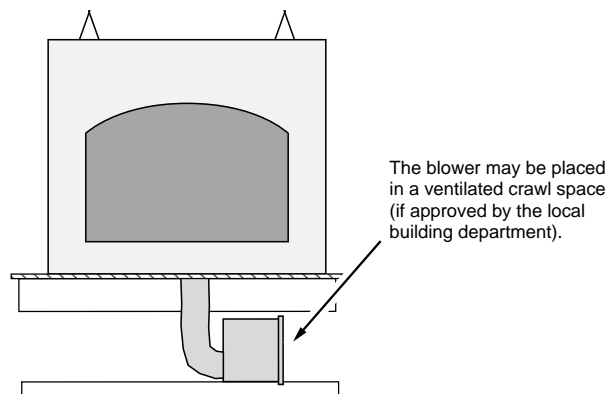


Figure 15

## Blower Duct Connection

- Connect the blower duct to the right, left, or bottom of the fireplace. See Figure 16 for an overview.
  - **Using the Right or Left Side Blower Duct Connection**  
Remove the side cover plate. Insert the starter section into the blower hook-up hole and bend the locking tabs outwards, locking the starter section in place (see Figure 16).
  - **Using the Bottom Blower Duct Connection**  
Remove the cover plate and pass-through plate on the bottom of the fireplace (both are held in place with the same 4 screws). Remove the 8-1/2" by 6-1/4" air deflector (flapper) above the cover plate and secure the starter section to the 6" diameter hole above the air deflector (bend the locking tabs outwards, locking the starter section in place - see Figure 16). Replace the pass-through plate with the 4 screws removed earlier (the pass-through plate has a 6-1/2" diameter hole for the duct).

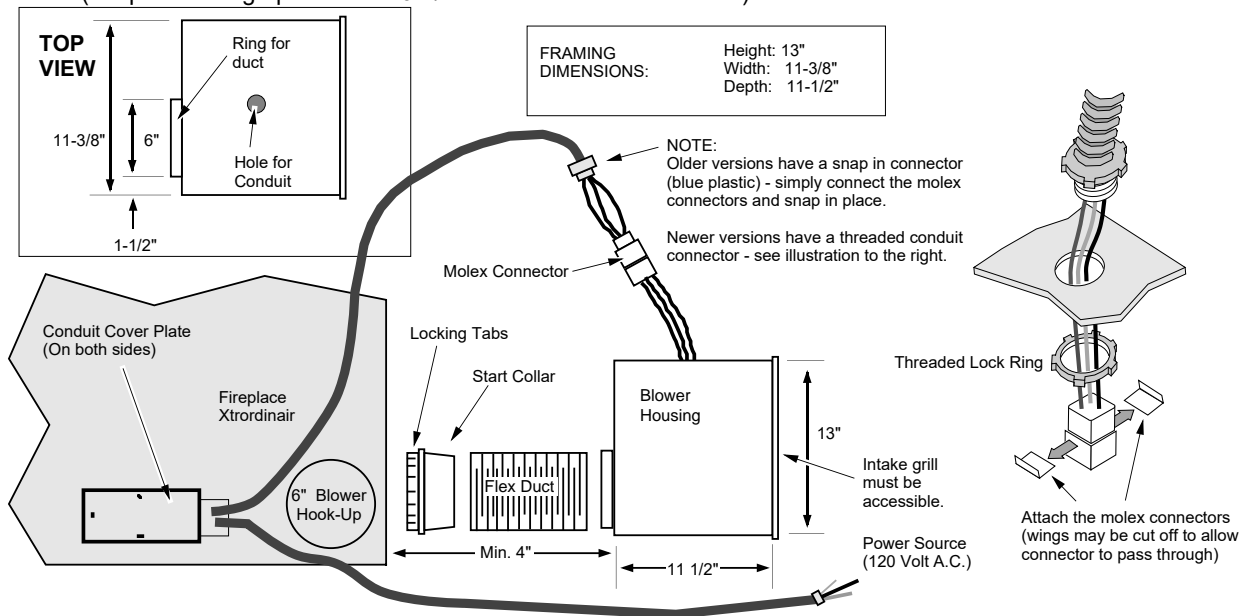


Figure 16

- Use duct tape and/or screws to attach the flex duct to the starter collar and blower box.
- The blower utilizes a filter that requires periodic cleaning (see Figure 17). Show the homeowner the blower location and inform them of the need to clean periodically.

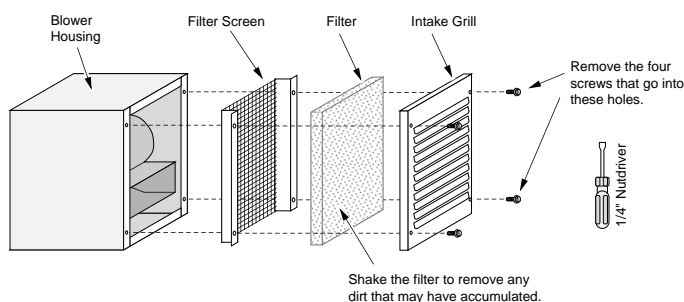


Figure 17

## Blower Electrical Connection

- Connect the electrical supply lead conduit to a 120 Volt, 60 Hz (2 Amp) electrical supply. Use a junction box to protect the electrical connection (see Figure 16).
- Connect the blower conduit to the blower box by attaching the two molex connectors together. Insert the molex connectors into the blower box. Then attach the conduit to the blower box by inserting it into the top until it snaps in place (see Figure 16).
- Do not run either conduit over the top of the fireplace or within 2" of the chimney
- If the blower or power supply is located to the left, the electrical conduit(s) may be directed to the left side of the fireplace. To do this, remove the conduit cover plate on both sides of the fireplace. Feed the conduit(s) through the hole on the right side and out the left side (removing the cover allows the conduit to be fed through without kinking). Switch the cover plates by attaching the right cover plate to the left side and vice-versa.

**Chimney Requirements**

**Approved Chimney**

- Use one of the following brands and series of chimney:
  - Simpson Duravent 8" x 12" (**preferred** – sold through Travis Ind. – see part numbers below)
  - Temco 82      - Firecraft FTF8 (Superior TF8)      - FMI 8DM      - Marco 8D
- The entire chimney system must be installed to meet all local requirements as well as those requirements listed by the chimney manufacturer. Depending on the manufacturer and where the chimney is to be installed, chimney supports, roof braces, radiation shields, attic insulation shields, attic enclosures, spark arrestors, locking bands, etc... may be required as part of the chimney system. The manufacturer's installation instructions, which are reviewed by the listing agency, specifies when and where each of these components must be used. Follow the manufacturer's instructions for the use of flashing and an adjustable storm collar at the roof line to prevent water from entering the house. Manufacturers require that chimneys extending beyond a certain height above the roof (frequently above 5') must be braced.

**Simpson Duravent Part Numbers (available through Travis Ind.)**

Chimney Components	Part #
Starter Collar ( <b>REQUIRED</b> )	98900013
48" Chimney Section	98900001
36" Chimney Section	98900002
24" Chimney Section	98900003
18" Chimney Section	98900004
12" Chimney Section	98900005
30° Offsets / Elbows (Qty 2)	98900006
Firestop (90°)	98900007
Firestop (30° - for angled sections)	98900008
Storm Collar	98900009
Round Termination Cap	98900010
Flashing 0-6/12 (for flat roofs up to 6/12 pitch - 26.5°)	98900011
Flashing 7-12/12 (for roofs 6/12 pitch to 12/12 – 26.5° to 45°)	98900012
Attic Insulation Shield	98900015

**Chimney Installation – Simpson Duravent (preferred)**

- Simpson Duravent chimney requires a starter collar. Attach the starter collar to the top of the fireplace with four sheet-metal screws (see Figure 18). If the inner pipe is too tight, use a crimping tool to adjust pipe diameter (see Figure 19). Seal the outer sections of pipe with high-temperature silicone.

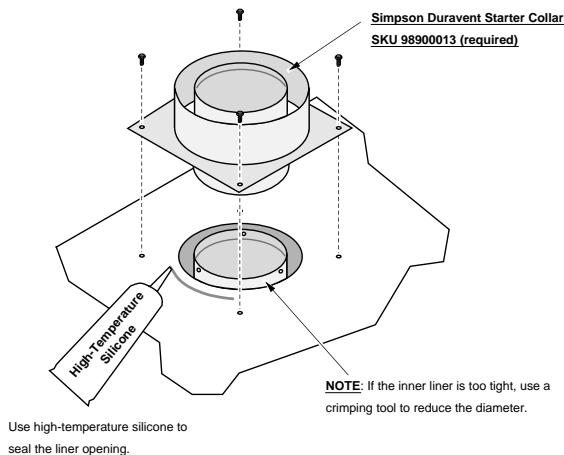


Figure 18



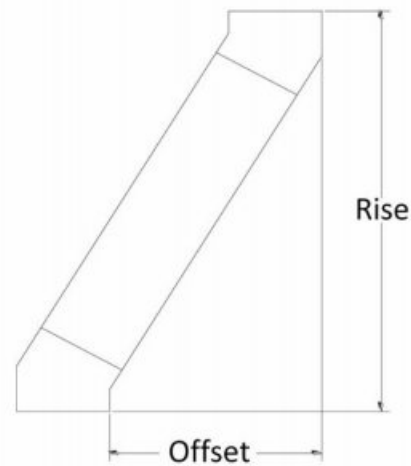
Figure 19



## Chimney Offset Chart (Simpson Duravent)

Use the chart below to determine offset dimensions (measured in inches).

Inclined Pipe Length	Offset	Rise
0	4	16 3/8
12	9 1/4	25 1/2
18	12 1/4	30 3/4
24	15 1/4	36
36	21 1/4	46 1/4
48	27 1/4	56 3/4
48+12	32 1/2	65 3/4
48+18	35 1/2	71
48+24	38 1/2	76 1/8
48+36	44 1/2	86 1/2
48+48	50 1/2	97



## Chimney Installation – Non- Simpson Duravent

- Secure the inner and outer chimney liner to the fireplace (see Figure 20).

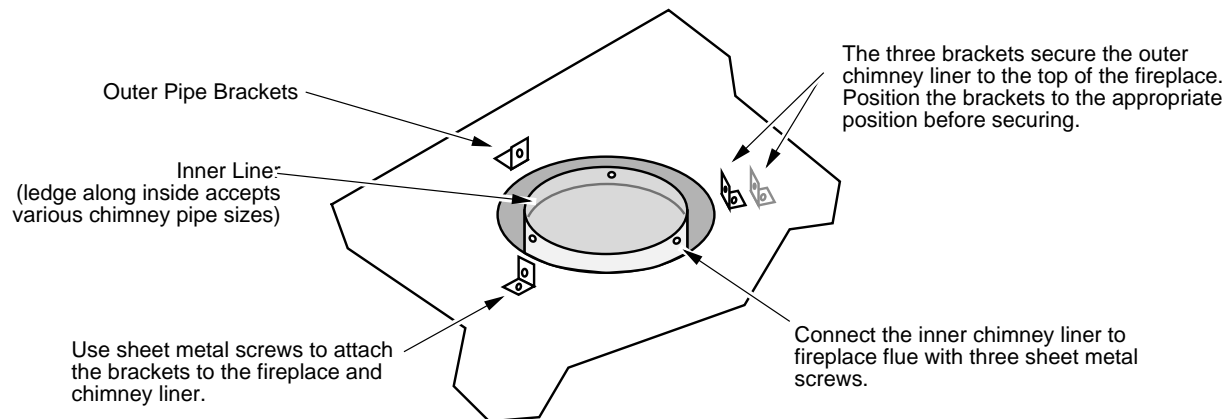


Figure 20

- When attaching the chimney to the fireplace, first slide down the inner liner of the chimney pipe into the inner liner of the fireplace. Certain brands of chimney pipe will stop at the ledge, while others will insert beyond the ledge. When the chimney pipe is fully seated and aligned, secure the fireplace to the chimney pipe with three sheet metal screws. Install the outer chimney liner. Once it is properly aligned, secure using three sheet metal screws. Seal the outer chimney liner with high-temperature silicone.

**Chimney Clearances to Combustibles**

**WARNING:** Follow the clearances listed below - do not follow the clearances listed in the chimney instructions

- Maintain a 2" clearance from the chimney to combustibles (measured horizontally). See Figure 21.
- Use offsets, if necessary, to maintain clearances
- In the area above the fireplace before the chimney penetrates the ceiling (use a firestop), the chimney must maintain the clearances listed below:
  - 5" to the rear of the chimney
  - 4-1/2" to the front of the chimney

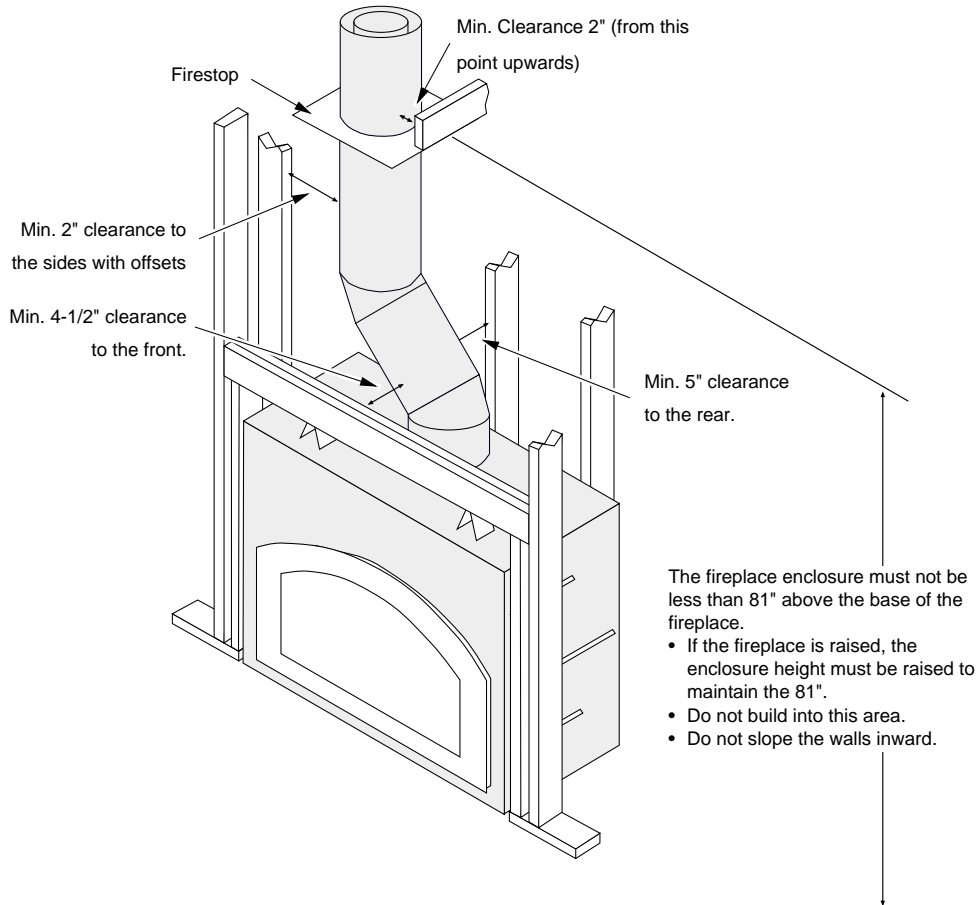


Figure 21

**CHIMNEY WARNING LABELS**

The new U.L. 127-2015 standard requires warning labels (shown below) to be attached to chimney sections that are not visible from living spaces or to the structure exterior after installation is complete (this is not required for older fireplaces). Labels must be applied every five feet to all exposed chimney sections in attics, crawl spaces, and similar areas. The label must wrap around the chimney circumference. Labels are included with the chimney sections.

<b>WARNING</b>	<b>WARNING</b>	<b>WARNING</b>	<b>WARNING</b>	<b>WARNING</b>	<b>WARNING</b>	<b>WARNING</b>	<b>WARNING</b>	<b>WARNING</b>	<b>WARNING</b>	<b>WARNING</b>
<b>HOT</b>	<b>HOT</b>	<b>HOT</b>	<b>HOT</b>	<b>HOT</b>	<b>HOT</b>	<b>HOT</b>	<b>HOT</b>	<b>HOT</b>	<b>HOT</b>	<b>HOT</b>
• Fire Risk • Insulation and combustibles must not touch pipe • Consult manual for clearance requirements • Ensure proper connection	• Fire Risk • Insulation and combustibles must not touch pipe • Consult manual for clearance requirements • Ensure proper connection	• Fire Risk • Insulation and combustibles must not touch pipe • Consult manual for clearance requirements • Ensure proper connection	• Fire Risk • Insulation and combustibles must not touch pipe • Consult manual for clearance requirements • Ensure proper connection	• Fire Risk • Insulation and combustibles must not touch pipe • Consult manual for clearance requirements • Ensure proper connection	• Fire Risk • Insulation and combustibles must not touch pipe • Consult manual for clearance requirements • Ensure proper connection	• Fire Risk • Insulation and combustibles must not touch pipe • Consult manual for clearance requirements • Ensure proper connection	• Fire Risk • Insulation and combustibles must not touch pipe • Consult manual for clearance requirements • Ensure proper connection	• Fire Risk • Insulation and combustibles must not touch pipe • Consult manual for clearance requirements • Ensure proper connection	• Fire Risk • Insulation and combustibles must not touch pipe • Consult manual for clearance requirements • Ensure proper connection	• Fire Risk • Insulation and combustibles must not touch pipe • Consult manual for clearance requirements • Ensure proper connection

## Chimney Height

- Minimum 15' system height (measured from the base of the fireplace)
- Maximum 35' system height (measured from the base of the fireplace)

**NOTE:** In some problematic situations, additional chimney height above the specified minimum may be necessary to reduce wind-induced down drafting and back puffing, or to increase draft, thereby improving fireplace operating characteristics.

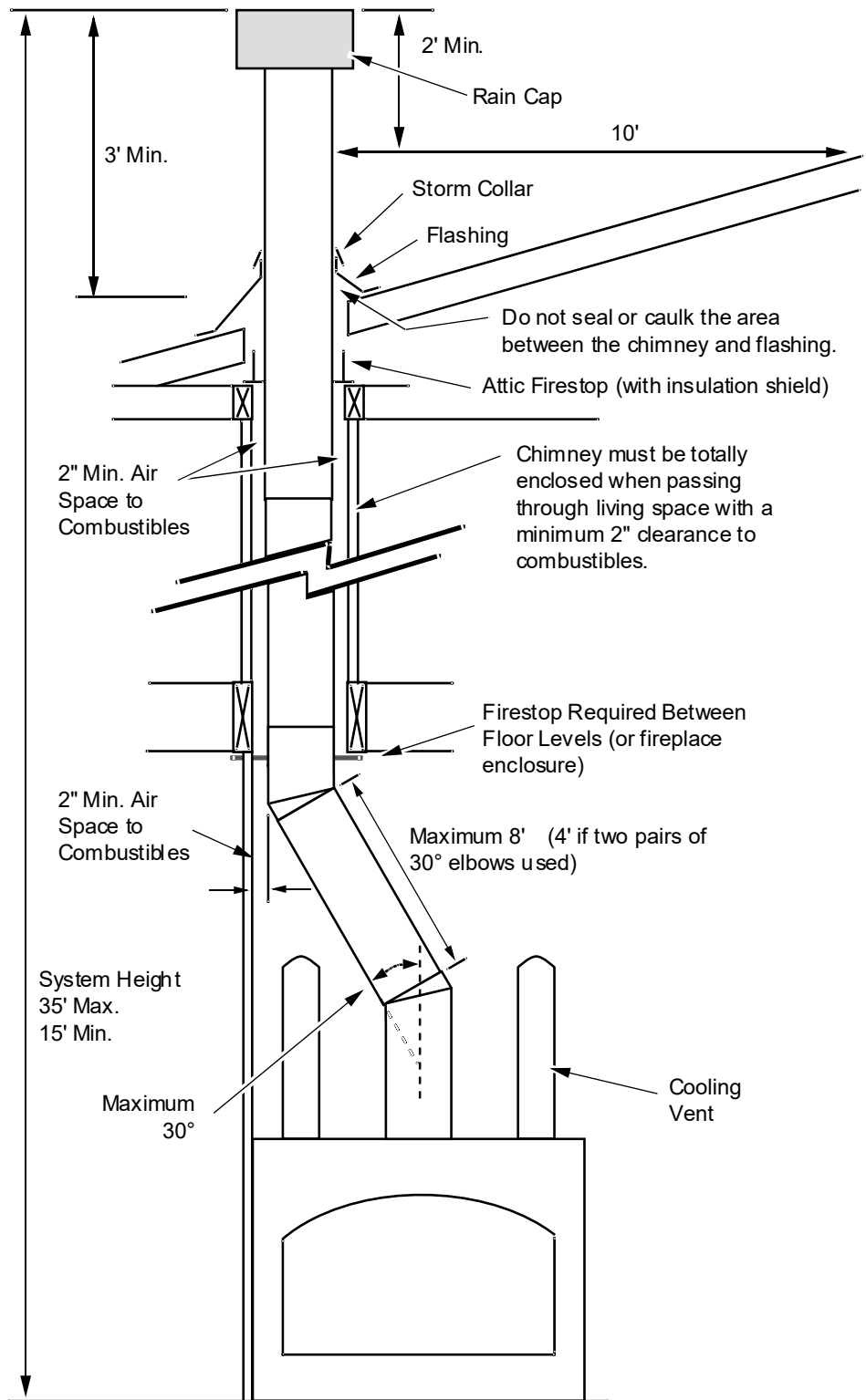


Figure 22

### Offset Requirements (30° Elbows)

- Offsets (using a pair of 30° elbows) may be used to redirect the chimney. Typically this is done to avoid structures, align the pipe with framing, or to gain clearance to combustibles (see Figure 24).
- A maximum four 30° elbows may be used.
- Each elbow must be used in conjunction with a return elbow (so the chimney returns to a vertical direction)
- If using a single offset (two 30° elbows) a maximum of 8' of inclined chimney may be used between elbows.
- If using two offsets (four 30° elbows) a maximum of 4' of inclined chimney may be used between each set of elbows.
- For every 6' of inclined chimney a flue support is required
- Elbows may be used directly off the top of the fireplace (maintain a 5" clearance to combustibles on the back wall, 4 1/2" minimum on the front wall and header, and 2" minimum to the side walls)

### Firestops

**WARNING:** Many firestops are designed for a 1" clearance, this fireplace requires a 2" clearance.

- Whenever the chimney penetrates a floor or ceiling a firestop is required on the bottom side of the floor joists (see Figure 23).
- When passing through an attic the firestop must be placed on the attic side of the joists
- When the chimney passes through a living space it must be totally enclosed (maintain the minimum 2" clearance to combustibles)
- The space between frames that hold the firestop in place should be measured as follows:
  - Simpson Duravent – 16"
  - Temco 16"
  - Firecraft 16 1/2"
  - FMI 16 1/2"
  - Marco 16 1/2"

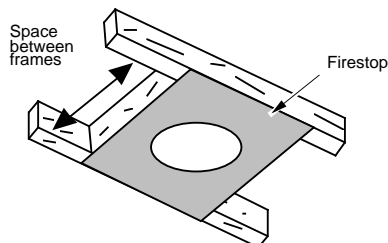


Figure 23

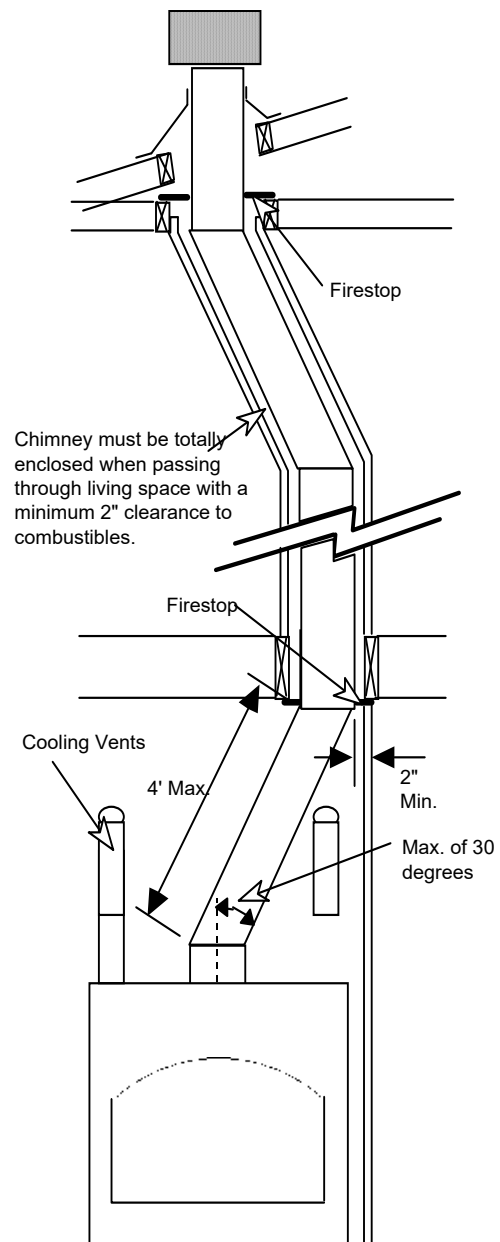


Figure 24

## Chimney Termination Requirements

- The chimney must terminate a minimum 3' above the roof and 2' above any portion within 10' (measured horizontally – see Figure 25). This applies to flat and sloped roofs.
- The chimney must have a chimney cap. A spark arrestor may be required in your area (check with the local building department).
- When using a chase to enclose a chimney, the chimney termination is not required to be 3' above the chase as long as the chase is above the roof structure. The chimney cap must still maintain the 2, 3, 10 clearance to any other structure. See the illustration below.
- Chimneys extending beyond a certain height (frequently 5') above the roof may require braces (check the instructions included with the chimney for details)

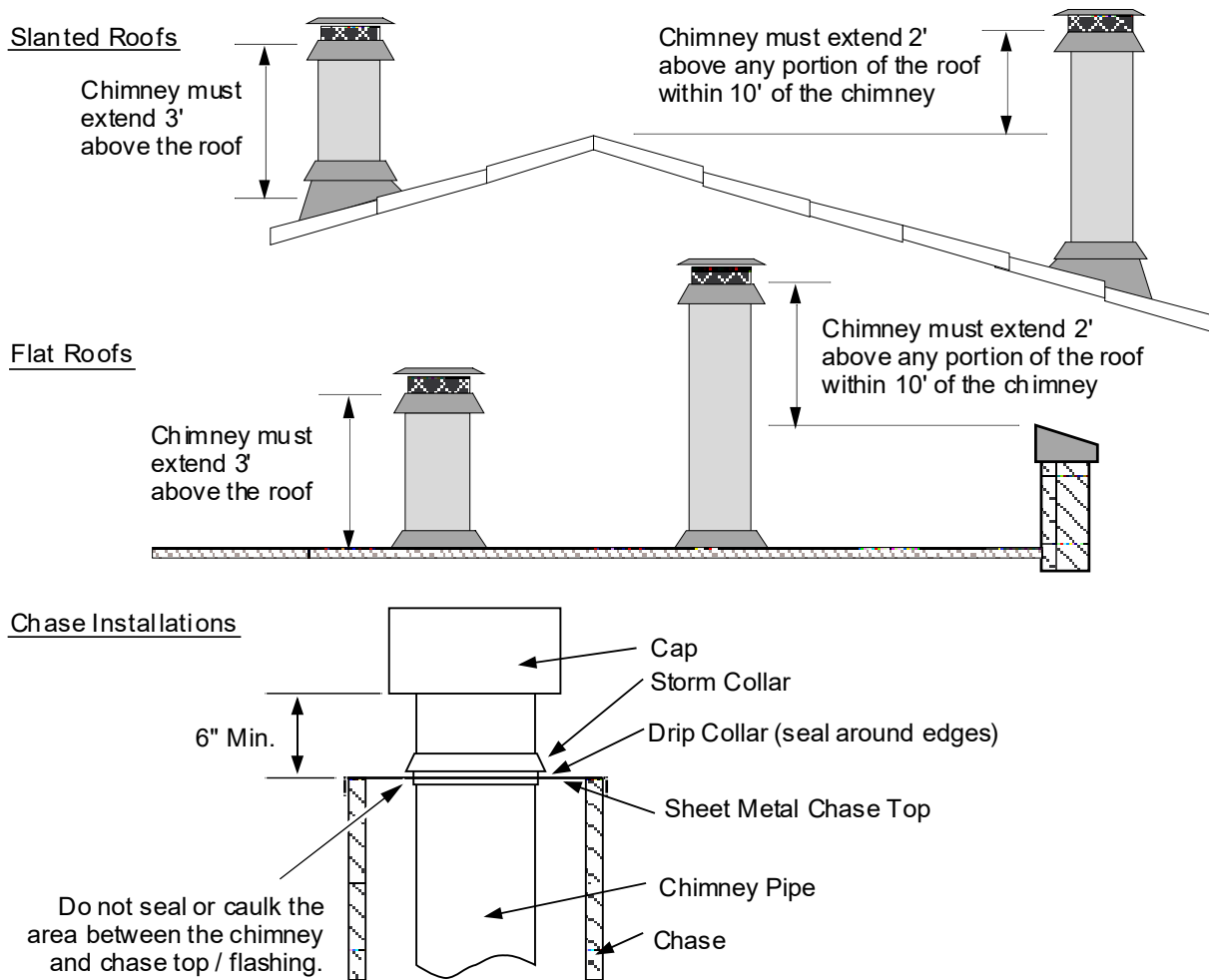


Figure 25

## Facing Requirements

**NOTE:** Artisan faces vary in size. If the facing is over 1" thick (brick, river-rock, etc.) use the artisan face to create a template.

- The fireplace is shipped with a set-up face that is 1/8" taller and wider than the finished faceplate. This creates a 1/16" gap around the perimeter of the face when the finished face is installed. Leave the set-up face in place to act as a template when installing the facing.
- The fireplace requires 1/2" thick concrete-board or other non-combustible to extend from the header to the base of the fireplace and to the framing members on both sides (do not use sheetrock or drywall). See Figure 26.
- The non-combustible facing must extend a minimum of 12" above and 2-1/2" to each side of the faceplate.
- The non-combustible facing must be a minimum 1" thick
- Attach the cement board to the front of the fireplace with screws. Do not penetrate the fireplace more than 3/4".

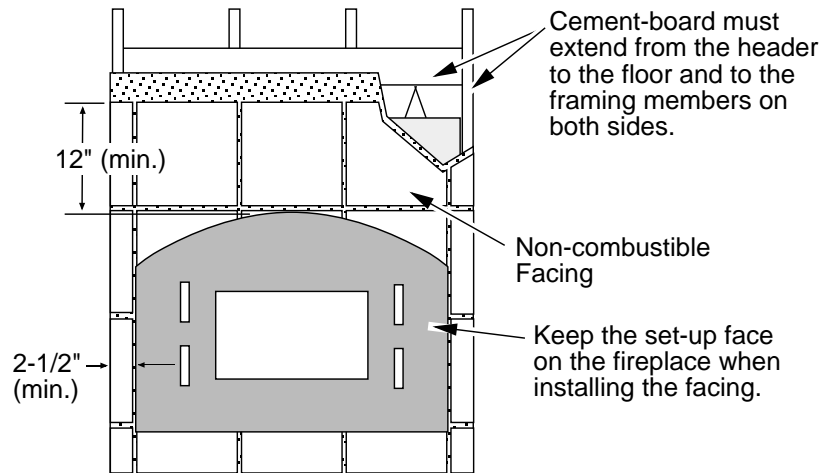


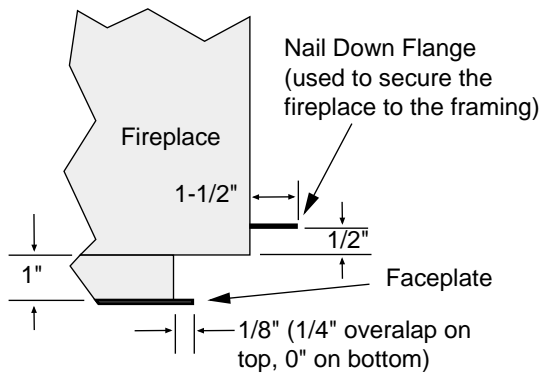
Figure 26

## Facing Requirements (continued)

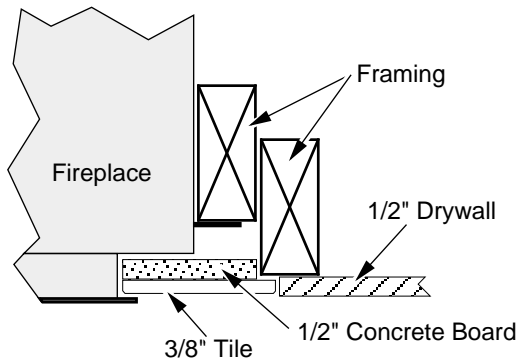
- Facing may be installed so it inserts behind the faceplate (see Figure 27). . NOTE: the faceplate protrudes 1" from the front of the fireplace, has a 1/8" overlap on the sides, and 1/4" overlap on top.
- The combustible area above the facing must not protrude more than 3/4" from the facing. If it does, it is considered a mantel and must meet the mantel requirements listed in this manual.
- To achieve a facing that is flush with the drywall to the side of the fireplace, recess the framing directly next to the fireplace (see Figure 27).

### TOP VIEW

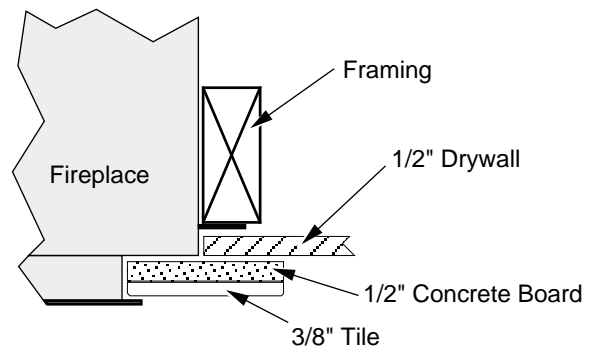
(cross section of fireplace, framing, and face)



**Flush Facing**



**Overlapped Facing**



**Brick Facing**

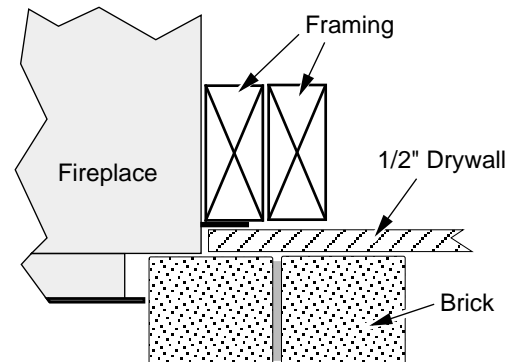
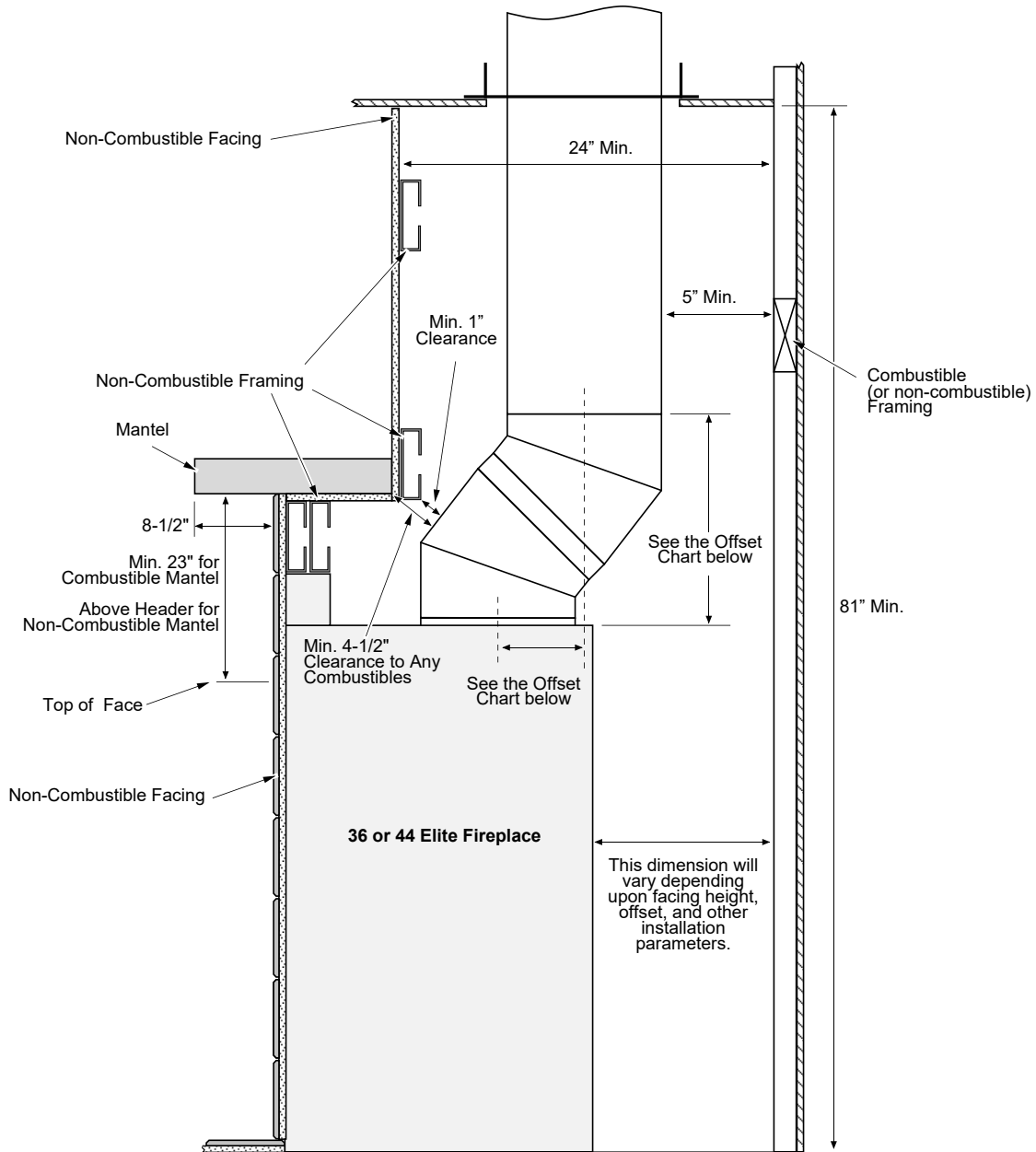


Figure 27

**Using Non-Combustible Facing/Framing with a Recessed Enclosure**

This fireplace may be installed with non-combustible facing (and framing) into a recessed enclosure to allow for additional options for the mantel. The following diagram below and on the following page detail the requirements.

**Side View**



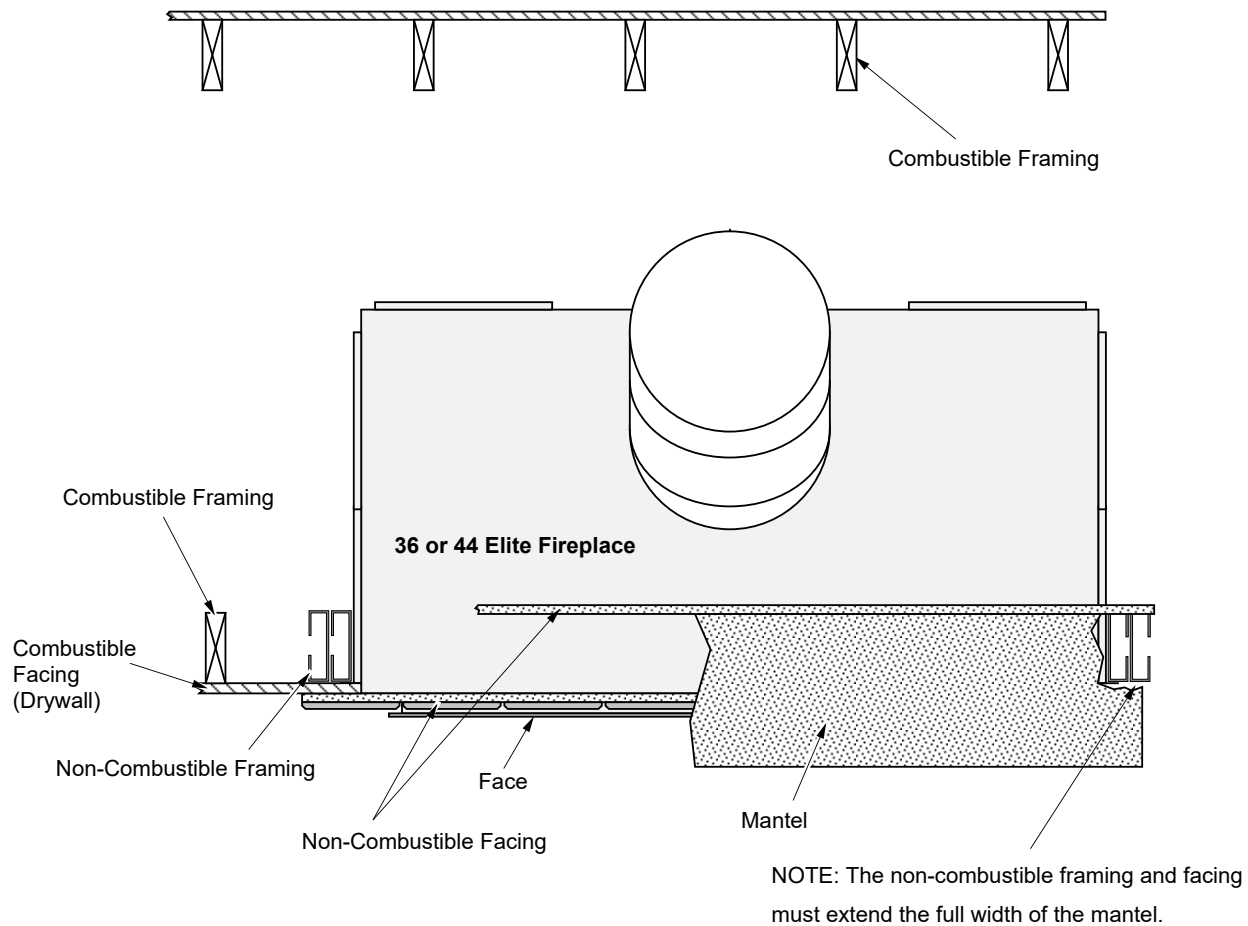
*OFFSET CHART*

	<b>Duravent Pipe</b>	
	Horizontal Offset	Vertical Rise
2 Offsets	4"	16-3/8"
2 Offsets & one 12" Section	9-1/4"	25-1/2"



## Using Non-Combustible Facing/Framing with a Recessed Enclosure (cont.)

### Top View



### Requirements

- The framing above the fireplace and directly to the sides of the fireplace, extending the full width of the mantel, from the floor to the ceiling (min. 81"), must be non-combustible (i.e. metal studs).
- The facing material in front and above the fireplace, from the floor to the ceiling (min. 81"), and extending to the sides of the fireplace and mantel, must be non-combustible.
- The fireplace enclosure above the fireplace must be a minimum 24" deep and extend the full width of the fireplace up to the ceiling (min. 81").

### Mantel Requirements

- The optional mantel must be a minimum 23" above the top of the faceplate (57-1/2" above the base). See Figure 28.
- The maximum mantel depth is 8-1/2".
- Mantel side columns that extend more than 3/4" beyond the faceplate must maintain an 18" clearance to the faceplate.

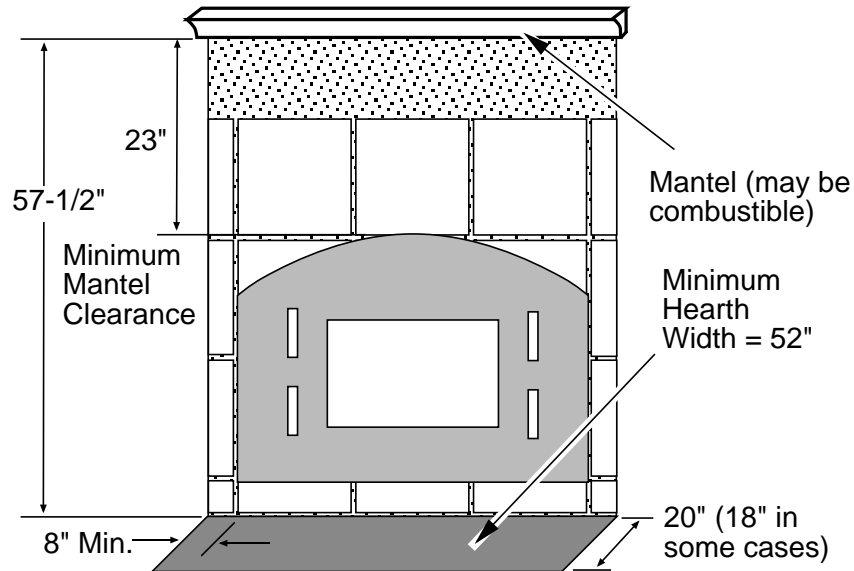
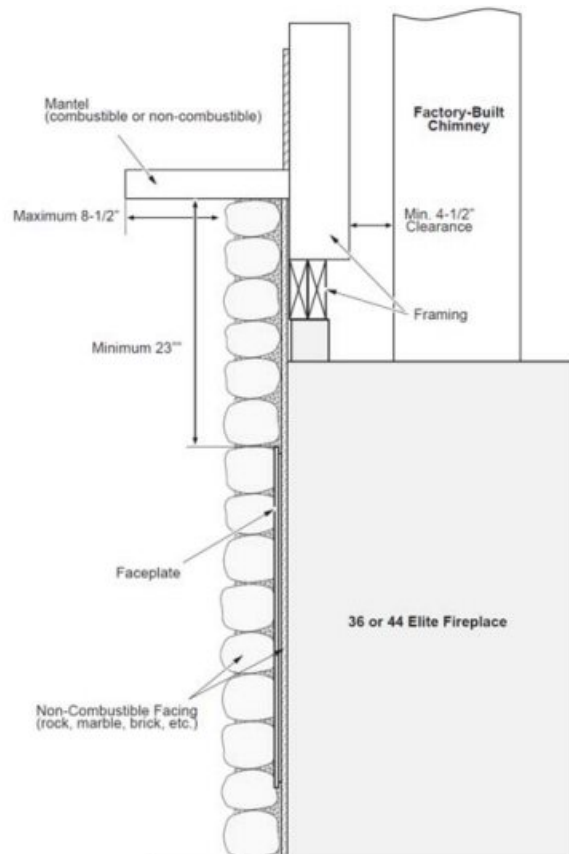


Figure 28

### Mantel Depth When Using Thick Facing

- This fireplace may be installed with non-combustible facing thicker than 1". This places the facing in a location forward of the faceplate. The maximum mantel depth (8-1/2") may be measured from the front of the facing material (facing material must be a uniform thickness).



## Hearth Requirements

- Local building codes may require a minimum hearth requirement different of what this manual states
- Hearth must extend 20" in front of the faceplate when it is not elevated (see local building codes). Hearths raised 6-1/2" must extend a minimum 18".
- Hearth must extend a minimum 8" to both sides of the faceplate (52" wide)
- Hearth must be a minimum 1" thick of cement board (or equivalent material) with an R-value of 0.78. Multiple cement boards may be stacked to meet the required R-value of 0.78. For example, two half-inch boards each with an R-value of 0.39 can be stacked together to meet the 0.78.
- Hearth must not rise more than 6-1/2" above the base of the fireplace

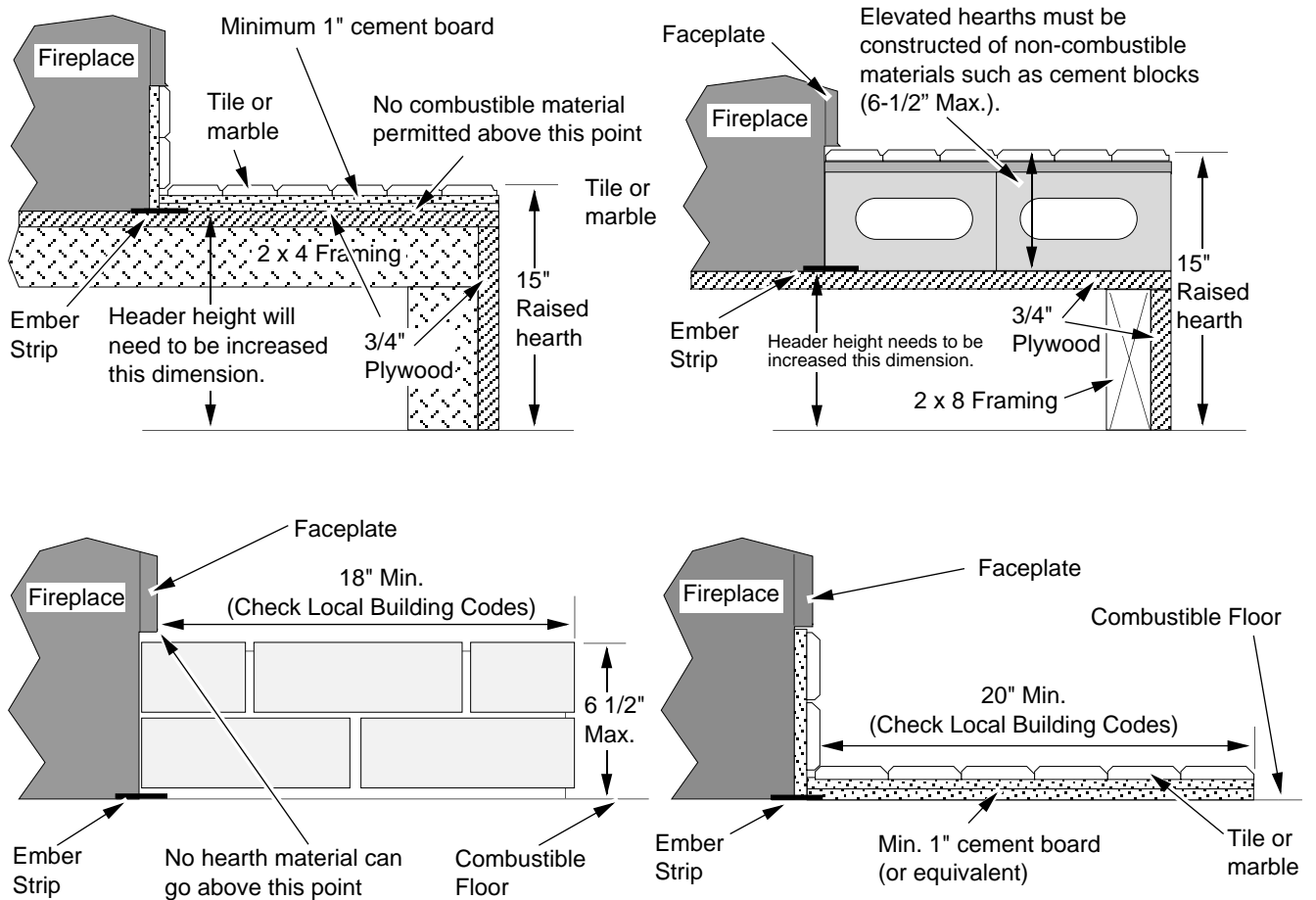


Figure 29

## 28 Finalizing the Installation (for qualified installers only)

### Finalizing the Installation

**ACID WASH WARNING** Before installing the faceplate, make sure any masonry that has been treated with acid wash has been properly neutralized (this is used primarily with brick faces). Acid wash (muriatic acid) is used to remove excess mortar. If not properly neutralized with an ammonia solution, the face may develop a permanent tarnish when the acid evaporates over time.

**WOOD SCRAP WARNING** Never burn wood scraps in the fireplace. Treated wood breaks down the catalyst inside the fireplace, decreasing efficiency and increasing emissions.

### Remove Set-Up Face

- Remove the set-up face using a phillips screwdriver (see Figure 30).

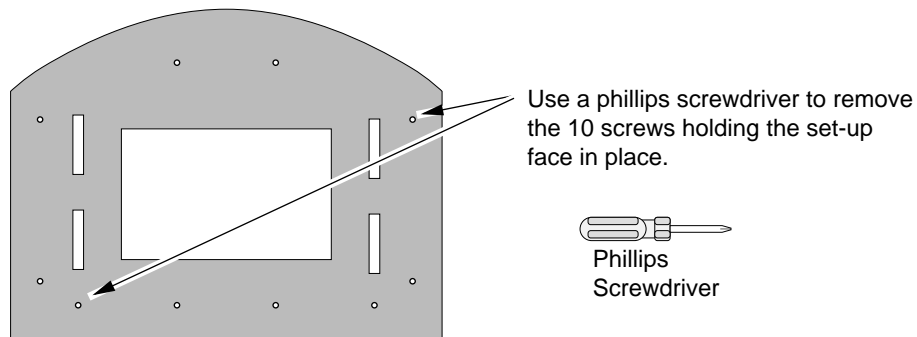


Figure 30

- Make sure the insulation between the firebox and fireplace can is still in place (see Figure 31).

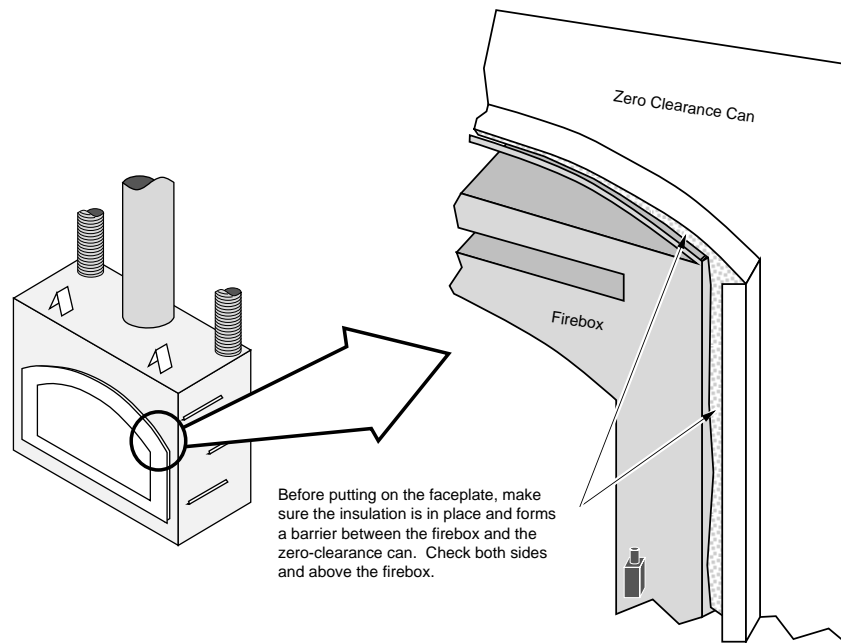


Figure 31

### Prepare the Firebox

- Make sure the firebrick is properly in place (see Figure 32).
- Install the log retainer using the included 1/8" allen wrench.
- Install the baffle.

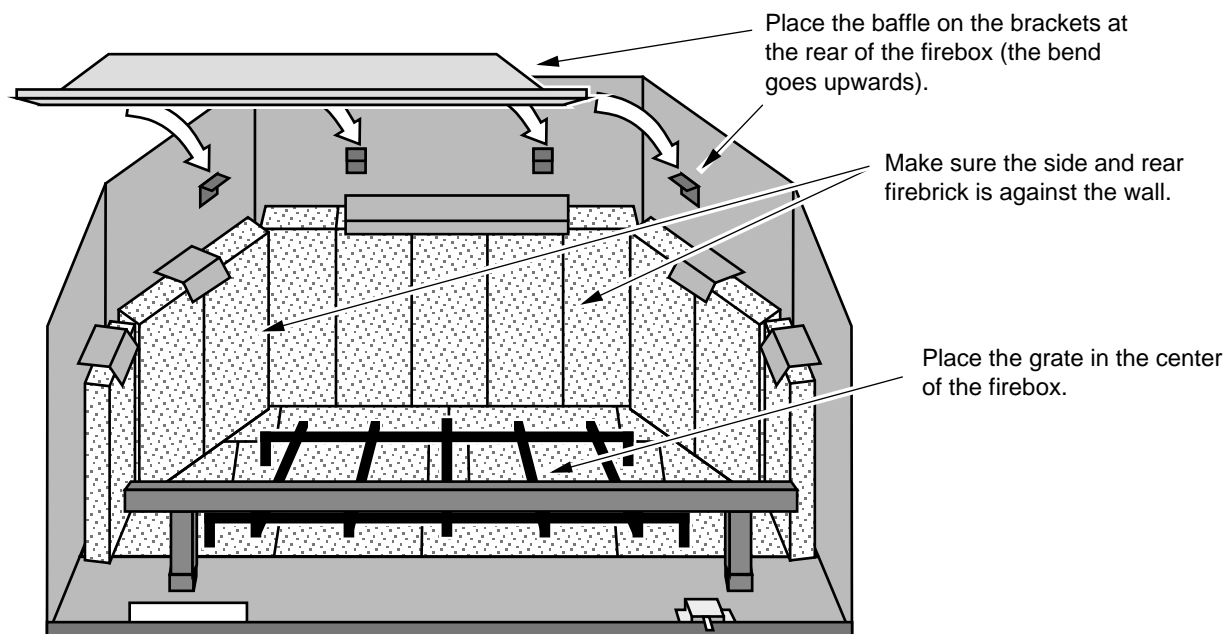
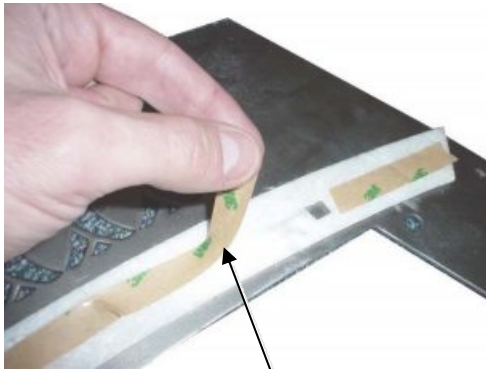


Figure 32

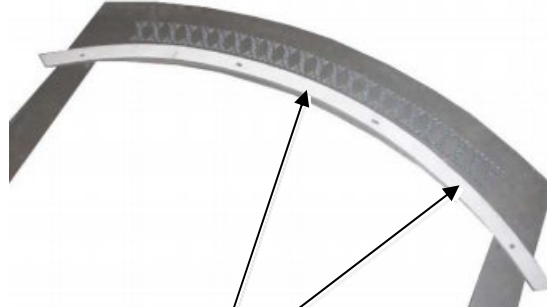
# 30 Finalizing the Installation (for qualified installers only)

## Install the Faceplate Insulation

Attach the faceplate insulation (included with the fireplace) to the back of the face (see the illustrations below).



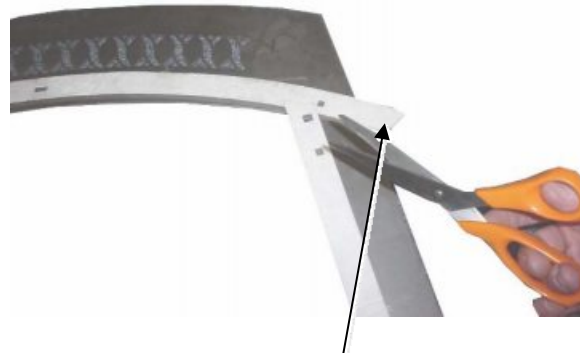
Peel the backing off the double-backed tape on the top (arched) piece of gasket. Make sure to leave the tape attached to the gasket (use a knife if necessary).



Attach the gasket onto the back of the face (note how the holes on the gasket line up with the holes on the face). The 36 is pictured – the 44 installs in a similar fashion.

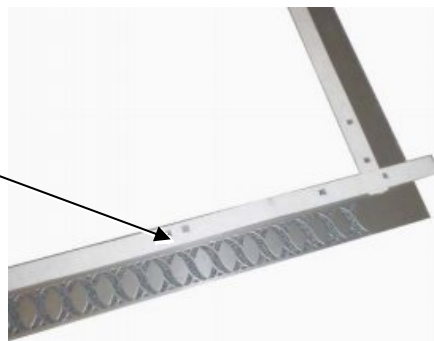


Attach the side gaskets in the same fashion, making sure the holes in the gasket line up with the holes on the face.



On the 36 you will need to trim the excess gasket on the upper corners (the 44 does not require trimming).

Attach the lower gasket in the same fashion, making sure the holes in the gasket line up with the holes on the face.



On the 36 you will need to trim the excess gasket on the lower corners (the 44 does not require trimming).

## Faceplate Installation

- The faceplate is packaged with faceplate attachment screws. Use a phillips screwdriver to attach the faceplate (see Figure 33).
- **NOTE:** do not pinch any of the wires in the lower right between the faceplate and the fireplace.

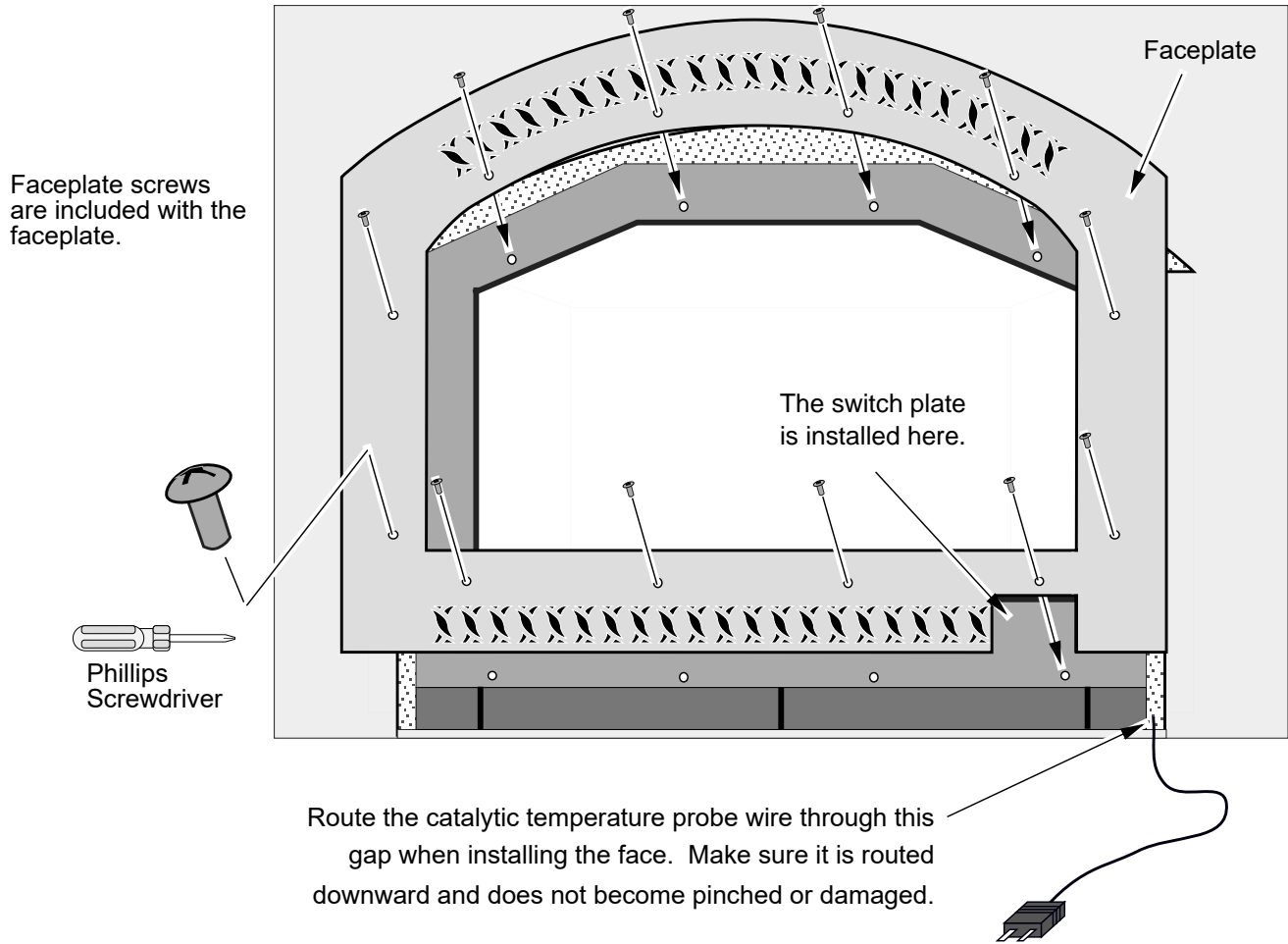


Figure 33

## 32 Finalizing the Installation (for qualified installers only)

### Switchplate Installation and Blower Check

- Attach the two male quick-connects from the switch plate to the two female quick-connects leading from the fireplace (see Figure 34). If the optional summer fan switch is being used, connect the other two quick connects, otherwise tuck the two male quick-connects leading from the fireplace into the cavity behind the faceplate. Attach the switch plate to the faceplate using a standard screwdriver (NOTE: the attachment screws are threaded into the faceplate).

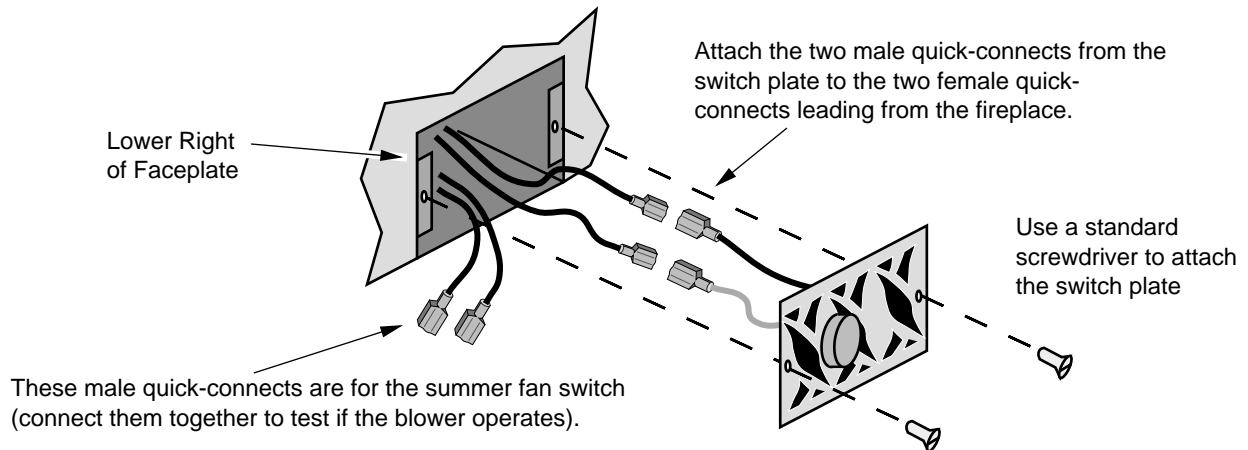


Figure 34

- Test the blower circuit by following the directions in Figure 35.

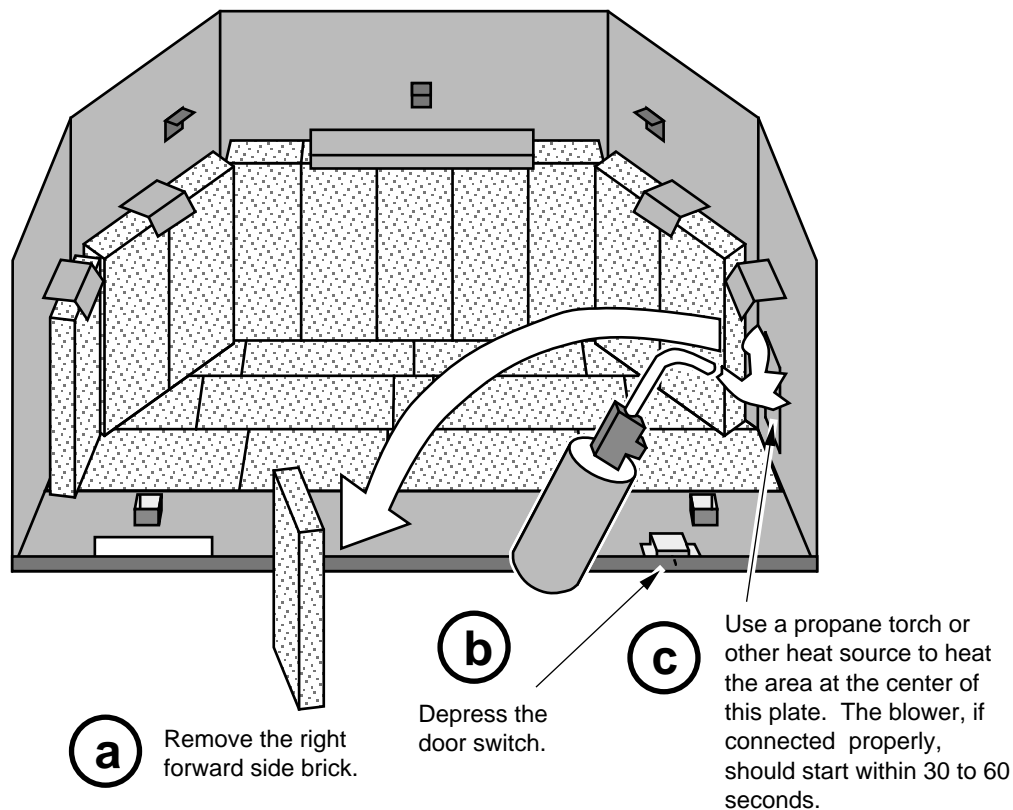


Figure 35



## Door Installation

### Single Door Installation

98500457, 98500458

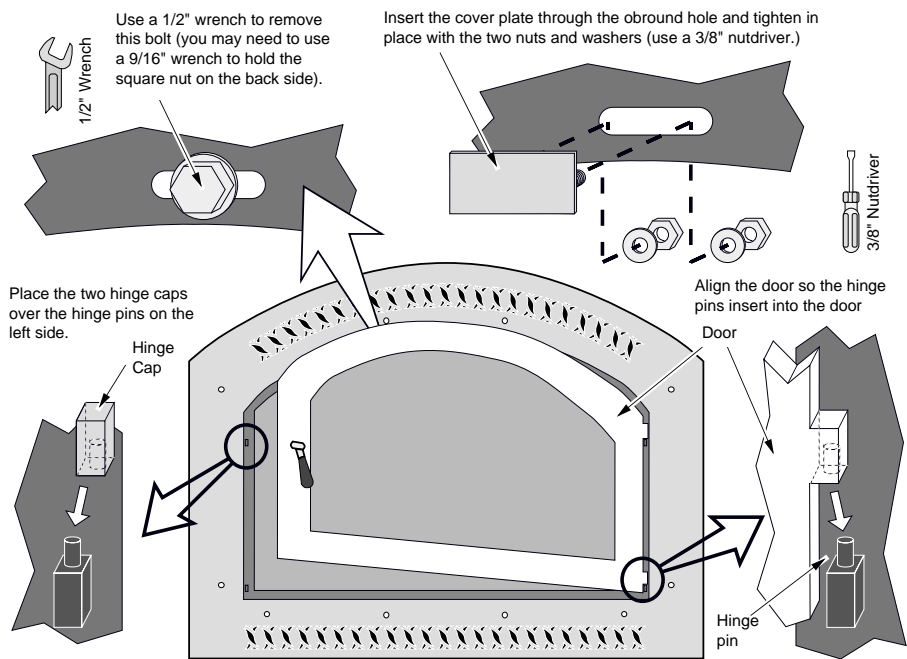


Figure 36

### Double Door Installation

98500455, 98500456

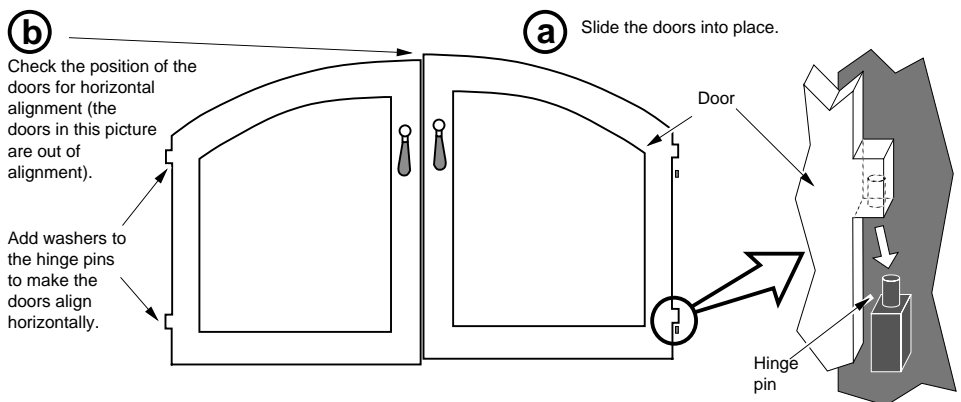


Figure 37

### Door Latch Adjustment

Adjust the door latch, if necessary to make a snug fit between the door gasket and the fireplace. Adjustments are made to the door latch by moving the washers from either side of the door latch and tightening the inner nut against the outer nut.

#### Door Latch Adjustment

The door latch is adjusted by moving washers from one side of the latch to the other (removing outer washers makes it tighter). Tighten the outer nut against the inner nut to secure the latch.

**NOTE:** The outer washer(s) must be slightly loose to allow the door handle to turn.

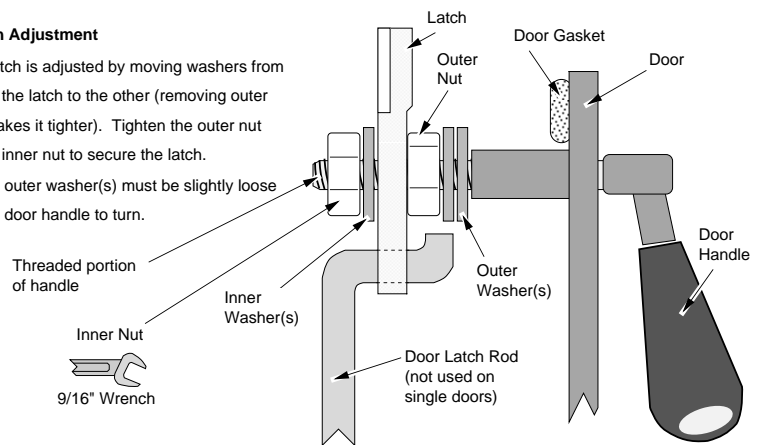


Figure 38

Approved Chimney .....	16	Install the Faceplate Insulation.....	30
Blower Duct Connection .....	15	Installation Options .....	6
Blower Duct Routing .....	14	Installation Overview.....	7
Blower Electrical Connection .....	15	Installation Requirements for Cold Environments .....	8
Blower .....	14	Installation Warnings.....	4
Chimney Clearances to Combustibles .....	18	Items Shipped with the Door(s).....	6
Chimney Height .....	19	Items Shipped with the Faceplate .....	6
Chimney Installation.....	16	Listing Details.....	2
Chimney Requirements .....	16	Mantel Requirements .....	26
Chimney Termination Requirements.....	21	Minimum Framing Dimensions.....	10
Clearances.....	12	Negative Pressure Warning .....	9
Cooling Vent .....	13	Offset Requirements (30° Elbows).....	20
Dimensions .....	6	Operating Warnings .....	4
Door Installation .....	33	Packing List.....	6
Door Latch Adjustment .....	33	Prepare the Firebox .....	29
Double Door Installation.....	33	Raised Fireplaces .....	12
Faceplate Installation .....	31	Recommended Order of Installation .....	7
Facing Requirements .....	22	Remove Set-Up Face .....	28
Fireplace Placement Requirements .....	10	Switchplate Installation and Blower Check .....	32
Fireplace Placement .....	11		
Firestops .....	20		
Framing Dimensions at 45° .....	10		
Hearth Requirements .....	27		
Heating Specifications .....	6		